



USA
TRACK & FIELDSM

2008 COMPETITION RULES

- ▶ Track & Field
- ▶ Long Distance Running
- ▶ Race Walking
 - ▼ Open
 - ▼ Junior
 - ▼ Youth Athletics
 - ▼ Masters

RULES EDITOR
JOHN C. BLACKBURN

ASSOCIATE RULES EDITORS
BOB HERSH, GEORGE KLEEMAN, BOB PODKAMINER

LAYOUT EDITOR
E. SUSAN HAZZARD

LAYOUT BY
SPORT GRAPHICS, INC., INDIANAPOLIS, IND.

COPYRIGHT ©2008

An official publication of USA Track & Field,
132 E. Washington St., Indianapolis, IN 46204-3723;
317-261-0500; Fax 317-261-0514; www.usatf.org
USA Track & Field is the National Governing Body for Track and Field,
Long Distance Running and Race Walking, and is the United States member of
the International Association of Athletics Federations



2008



JANUARY

S	M	T	W	T	F	S
		1	2	3	4	5
6	7	8	9	10	11	12
13	14	15	16	17	18	19
20	21	22	23	24	25	26
27	28	29	30	31		

FEBRUARY

S	M	T	W	T	F	S
					1	2
3	4	5	6	7	8	9
10	11	12	13	14	15	16
17	18	19	20	21	22	23
24	25	26	27	28	29	

MARCH

S	M	T	W	T	F	S
						1
2	3	4	5	6	7	8
9	10	11	12	13	14	15
16	17	18	19	20	21	22
23	24	25	26	27	28	29
30	31					

APRIL

S	M	T	W	T	F	S
		1	2	3	4	5
6	7	8	9	10	11	12
13	14	15	16	17	18	19
20	21	22	23	24	25	26
27	28	29	30			

MAY

S	M	T	W	T	F	S
				1	2	3
4	5	6	7	8	9	10
11	12	13	14	15	16	17
18	19	20	21	22	23	24
25	26	27	28	29	30	31

JUNE

S	M	T	W	T	F	S
1	2	3	4	5	6	7
8	9	10	11	12	13	14
15	16	17	18	19	20	21
22	23	24	25	26	27	28
29	30					

JULY

S	M	T	W	T	F	S
		1	2	3	4	5
6	7	8	9	10	11	12
13	14	15	16	17	18	19
20	21	22	23	24	25	26
27	28	29	30	31		

AUGUST

S	M	T	W	T	F	S
					1	2
3	4	5	6	7	8	9
10	11	12	13	14	15	16
17	18	19	20	21	22	23
24	25	26	27	28	29	30
31						

SEPTEMBER

S	M	T	W	T	F	S
	1	2	3	4	5	6
7	8	9	10	11	12	13
14	15	16	17	18	19	20
21	22	23	24	25	26	27
28	29	30				

OCTOBER

S	M	T	W	T	F	S
			1	2	3	4
5	6	7	8	9	10	11
12	13	14	15	16	17	18
19	20	21	22	23	24	25
26	27	28	29	30	31	

NOVEMBER

S	M	T	W	T	F	S
						1
2	3	4	5	6	7	8
9	10	11	12	13	14	15
16	17	18	19	20	21	22
23	24	25	26	27	28	29
30						

DECEMBER

S	M	T	W	T	F	S
	1	2	3	4	5	6
7	8	9	10	11	12	13
14	15	16	17	18	19	20
21	22	23	24	25	26	27
28	29	30	31			



2009



JANUARY

S	M	T	W	T	F	S
				1	2	3
4	5	6	7	8	9	10
11	12	13	14	15	16	17
18	19	20	21	22	23	24
25	26	27	28	29	30	31

FEBRUARY

S	M	T	W	T	F	S
1	2	3	4	5	6	7
8	9	10	11	12	13	14
15	16	17	18	19	20	21
22	23	24	25	26	27	28

MARCH

S	M	T	W	T	F	S
1	2	3	4	5	6	7
8	9	10	11	12	13	14
15	16	17	18	19	20	21
22	23	24	25	26	27	28
29	30	31				

APRIL

S	M	T	W	T	F	S
			1	2	3	4
5	6	7	8	9	10	11
12	13	14	15	16	17	18
19	20	21	22	23	24	25
26	27	28	29	30		

MAY

S	M	T	W	T	F	S
					1	2
3	4	5	6	7	8	9
10	11	12	13	14	15	16
17	18	19	20	21	22	23
24	25	26	27	28	29	30
31						

JUNE

S	M	T	W	T	F	S
	1	2	3	4	5	6
7	8	9	10	11	12	13
14	15	16	17	18	19	20
21	22	23	24	25	26	27
28	29	30				

JULY

S	M	T	W	T	F	S
			1	2	3	4
5	6	7	8	9	10	11
12	13	14	15	16	17	18
19	20	21	22	23	24	25
26	27	28	29	30	31	

AUGUST

S	M	T	W	T	F	S
						1
2	3	4	5	6	7	8
9	10	11	12	13	14	15
16	17	18	19	20	21	22
23	24	25	26	27	28	29
30	31					

SEPTEMBER

S	M	T	W	T	F	S
			1	2	3	4
5	6	7	8	9	10	11
12	13	14	15	16	17	18
19	20	21	22	23	24	25
26	27	28	29	30		

OCTOBER

S	M	T	W	T	F	S
				1	2	3
4	5	6	7	8	9	10
11	12	13	14	15	16	17
18	19	20	21	22	23	24
25	26	27	28	29	30	31

NOVEMBER

S	M	T	W	T	F	S
1	2	3	4	5	6	7
8	9	10	11	12	13	14
15	16	17	18	19	20	21
22	23	24	25	26	27	28
29	30					

DECEMBER

S	M	T	W	T	F	S
		1	2	3	4	5
6	7	8	9	10	11	12
13	14	15	16	17	18	19
20	21	22	23	24	25	26
27	28	29	30	31		

NATIONAL OFFICERS

President

Bill Roe
1003 32nd Street
Bellingham, WA 98225-6913

Home/Office 360-734-8892
Fax 360-734-8820
Bill.Roe@usatf.org

Vice President

Dee Jensen
1621 N. 5th St.
Wahpeton, ND 58075

Home 701-642-4801
Fax 701-671-2587
deejensen2004@yahoo.com

Secretary

Lynn Cannon
3811 Runaway Rd
Butte Valley, CA 95965

Home 530-342-8460
Fax 530-343-5916
Office 530-879-5227
lcannon@hughes.net

Treasurer

Ed Koch
130 Grant St.
Haworth, NJ 07641-1951

Home 201-244-9117
H-Fax 201-244-9118
Office 212-588-2272
FAX 212-588-2281
edrkoch@yahoo.com

Past President

Patricia F. Rico
89 Lexington Dr.
Croton on Hudson, NY 10520

Home 914-271-4252
Fax 914-271-8329
pari@bestweb.net

NATIONAL HEADQUARTERS STAFF

132 E. Washington St.
Indianapolis, IN 46204-3723

Main Switchboard 317-261-0500
Main Fax 317-261-0514

Website: www.usatf.org

Executive Office Manager

Patty Hogan 317-713-4667 Patty.Hogan@usatf.org

Director of Legal & Business Affairs

Lamont Jones 317-713-4683 Lamont.Jones@usatf.org

Legal Assistant

Kimberly Hicks 317-713-4668 Kimberly.Hicks@usatf.org

Director of Community Relations

E. Susan Hazzard 317-713-4664 Susan.Hazzard@usatf.org

Grass Roots Programs

Director of Grass Roots Programs & Planning

Andy Martin 317-713-4675 Andy.Martin@usatf.org

Associations and Member Services Manager

Sherry Quack 317-713-4685 Sherry.Quack@usatf.org

Youth Programs Coordinator

McKenze Murphy 317-713-4678 McKenze.Murphy@usatf.org

Grass Roots Marketing Coordinator

Kristina Hervey 317-713-4669 Kristina.Hervey@usatf.org

Members Services Representative – Individual & Clubs

Ashley Huxman 317-713-4665 Ashley.Huxman@usatf.org

Member Services Representative – Sanctions

Carmen Triplet 317-713-4694 Carment.Triplet@usatf.org

High Performance Programs

Director of High Performance Programs

Peter J. “Duffy” Mahoney 317-713-4673 Duffy.Mahoney@usatf.org

High Performance Programs Coordinator

Amanda Payne 317-713-4671 Amanda.Payne@usatf.org

Elite Athlete Programs

Associate Director of International and National Teams

Sandy Snow 770-396-9387 Sandy.Snow@usatf.org

Associate Director of National Teams

Aron McGuire 317-713-4692 Aron.McGuire@usatf.org

Elite Athlete Programs Coordinator

Sariyu “Beka” Suggs 317-713-4689 Saryu.Suggs@usatf.org

Manager of Elite Athlete Relations/USADA

Melissa Beasley 317-713-4650 Melissa.Beasley@usatf.org

Elite Athlete Programs Assistant

Carolyn Claude 317-713-4652 Carolyn.Claude@usatf.org

Business Development/Finance

Chief Operating Officer & Chief Financial Officer

Jim Elias 317-713-4660 Jim.Elias@usatf.org

Director of Finance & Human Resources

Gina A. Miller 317-713-4681 Gina.Miller@usatf.org

Operations Manager

Jed Cornforth 317-713-4655 Jed.Cornforth@usatf.org

Accountant

Melissa Bowlby 317-713-4651 Melissa.Bowlby@usatf.org

Technology Manager

Kathy Fox 317-713-4662 Kathy.Fox@usatf.org

Travel Services Manager

Dorothy Hawkins 317-713-4687 Travel@usatf.org

Communications

Director of Communications

Jill M. Geer 508-520-1529 Jill.Geer@usatf.org

Media Information Manager

Tom Surber 317-713-4690 Tom.Surber@usatf.org

Communications Coordinator

Vicky Oddi 317-713-4670 Vicky.Oddi@usatf.org

Multimedia Manager

Keith Lively 317-713-4672 Keith.Lively@usatf.org

Events

Director of Broadcasting and Events

Brian Brase 317-713-4658 Brian.Brase@usatf.org

Events & Broadcasting Manager

Adam Schmenk 317-713-4686 Adam.Schmenk@usatf.org

Events Coordinator

Sharicia Taylor 317-713-4682 Sharicia.Taylor@usatf.org

Marketing

Director of Marketing

Ivan Cropper 317-713-4656 Ivan.Cropper@usatf.org

Senior Marketing & LDR Programs Manager

Jim Estes 317/713-4661 Jim.Estes@usatf.org

Marketing Coordinator

Mandy Rost 317-713-4682 Mandy.Rost@usatf.org

HIGH PERFORMANCE PROGRAMS DIVISION

Chair, High Performance Programs

Brooks Johnson
5221 Hillview Ln
Orlando, FL 32819

Phone 407-939-4184
Fax 407-939-4185
Cell 407-758-0755
sutrac@aol.com

Men's Track & Field

John Chaplin
901 Beeson Cutoff Rd.
Palouse, WA 99161

Home 509-332-1994
Office 509-335-6613
Fax 509-335-8188
jpchaplin@hughes.net

Women's Track & Field

Stephanie Hightower
223 Woodland Ave.
Columbus, OH 43203

Office 614-222-3230
Fax 614-222-3293
Cell 614-774-4736
shightower@ccad.edu

Race Walking

Vince Peters
607 Omar Circle
Yellow Springs, OH 45387

Home 937-767-7424
Office 937-320-4056
mv_tc@sbcglobal.net

Coaching Education

Troy Engle
1527 N Ave 49
Los Angeles, CA 90042

Home 323-258-9054
Office 323-259-27
engletroy@yahoo.com

Men's Development

G. Larry James
708 Moonraker Ct
Smithville, NJ 08205

Home 609-652-0062
Office 609-652-4876
g.larry.james@stockton.edu

Women's Development

Sue Humphrey
9711A Copper Creek Dr.
Austin, TX 78729-3548

Home/Office 512-918-3170
Home/Fax 512-918-3171
Office 512-414-5006
humphreyhj@aol.com

Sports Medicine & Science

Bob Adams
8301 161st Ave NE, #102
Redmond, WA 95052

Home 425-827-2984
Office 425-883-4988
Fax 425-885-4813
bjausa@comcast.net

LONG DISTANCE RUNNING DIVISION

Chair, Long Distance Running Division

Fred Finke
500 Granada Way
Longwood, FL 32750

Home 407-265-6144
Office 407-320-2239
Fax 407-320-2164
finkef@gate.net

Men's Long Distance Running

Glenn Latimer
1118 NE Glen Oak Ave
Peoria, IL 61613

Home 309-674-7560
Fax 309-674-9036
Cell 309-696-8030
glennlat@aol.com

Women's Long Distance Running

Elizabeth Phillips
444 E 75th St, #10D
New York, NY 10021

Home 212-288-6742
Fax 212-288-6639
cmnyphillips@aol.com

Masters Long Distance Running

Don Lein
13 Crosswinds Estates
Pittsboro, NC 27312

Phone 919-542-4790
dmlein@earthlink.net

Cross Country Council

Michael Scott
23 Burdick Ave
Newport, RI

Home/Fax 401-848-5121
Office 401-874-7556
misscott@att.net

Road Running Technical Council

Gene Newman
920 N Night Heron Dr
Green Valley, AZ 85614

Phone 520-648-3353
newmangc@cox.net

Mountain/Ultra/Trail Council (MUT)

Nancy Hobbs
PO Box 9454
Colorado Springs, CO 80932

Office 719-573-4405
Fax 719-573-4408
trlrunner@aol.com

GENERAL COMPETITION DIVISION

Division Chair & Associations

Alan Roth
10849 Bucknell Drive
Wheaton, MD 20902

Home 301-649-4766
H-Fax 301-649-4909
Office 301-279-2727
alanroth@apdinc.com

Masters Track & Field

Gary Snyder
239 Commonwealth Ave
Boston, MA 02116

Phone 617-536-6797
Fax 617-734-6322
garysnyder@att.net

Youth Athletics

Lionel Leach
 202 Maple Ave
 Irvington, NJ 07111

Home 973-373-1072
 Cell 917-913-5505
 youthtrack@verizon.net

ADMINISTRATIVE COMMITTEE CHAIRS**Athletes Advisory**

Sandra Farmer-Patrick
 1003 Spicewood Mesa
 Austin, TX 78759

Home 512-336-1405
 saniyco@aol.com

Athletics for the Disabled

Barbara A. Chambers
 291 Comfort Dr.
 Henderson, NV 89014

Home/Fax 702-433-0130
 Office 702-799-0104
 Fax 702-799-8669
 bchamb8677@aol.com

Coaches Advisory

Terry Crawford
 775 Ridgmont Way
 Arroyo Grande, CA 93420

Home 805-481-0464
 Office 805-756-1130
 Fax 805-756-2650
 tcsl0@aol.com

Law & Legislation

James M. Murphy
 W. 1116 Broadway
 Spokane, WA 99260-0350

Home 509-326-9157
 Office 509-456-4712
 Fax 509-456-5714
 jim@jmgspokane.com

Officials

Linda M. Melzer
 253 Caswell Dr.
 Gahanna, OH 43230

Home 614-478-9111
 Cell 614-893-8934
 Fax 614-478-4966
 lmelzer@sbcglobal.net

Member Services

Walter M. High
 105 N Crabtree Knoll
 Chapel Hill, NC 27514

Home 490-9093
 Office 919-530-5241
 wmhigh@mindspring.com

Records

Justin Kuo
 39 Oakland Rd
 Brookline, MA 02445

Home 617-731-9889
 Home-Fax 617-731-9062
 Office 617-731-9062
 jkuo@usatfne.org

Rules

John C. Blackburn
 109 Smith St
 Charleston, SC 29403

Home 843-853-8765
 john@speedfish.com

**INTERNATIONAL ASSOCIATION
OF ATHLETICS FEDERATIONS**

Lamine Diack, President, BP 88 Dakar, Senegal or
BP 400, Centre de Hann, Route du Front de Terre, Dakar, Senegal
Telephone 221 827-4057 (CAAA) / 221 827-4114 (CRD) /
221 839-7700 (SONES) FAX 221 827-8179 (CAAA) /
221 823-2038 (SONES)

Pierre Weiss, General Secretary
Postal Add: BP 359, MC-98007 Monaco Telephone (377 93) 10 8888
Street Add: 17 Rue Princesse Florestine, MC 98000 Monaco Fax (377 93) 15 95 15
www.iaaf.org

Robert Hersh, Vice President; Chair Competition Commission,

Member Juridical Commission516-484-1793
Bill Roe, Delegate360-734-8892
Dr. Evie Dennis, Delegate303-333-1896
Adam Nelson, Athletes CommissionNelsonA08@darden.virginia.edu
Amy Deem, Coaches Commission305-284-5029
Karl Stith, Juridical Commission
Steve Miller, Marketing and Promotions Commission.....702-227-5700
Mary Wittenberg, Road Running Commission212-860-4455
Peter Diamond and Craig Masback, Television Commission317-713-4667
Robert R. Bowman, Race Walking Committee510-531-1427
David Katz, Technical Committee516-883-5599
Bob Adams, Medical & Anti-Doping Commission425-883-4988
Gene Cherry, Press Commission919-413-2873
Rex Harvey, Masters Committee305-284-5029

United States Olympic Committee (USOC)

One Olympic Plaza 719-632-5551
Colorado Springs, CO 80909 Fax 719-578-4654
Peter Uberroth, President
Joe Scherr, CEO

United States Anti-Doping Association (USADA)

2550 Tenderfoot Hill St, Suite 200 719-785-2000
Colorado Springs, CO 80906 Fax 719-785-2001
Hotline 800-233-0393
www.usada.org

U.S. Paralympics

Charlie Huebner, Chief Executive Officer
25 North Tejon, Lower Level 110 719-471-8772
Colorado Springs, CO 80903 Fax 719-471-0196
Charlie.Huebner@usoc.org

National 5E Members

National Association of Intercollegiate Athletics (NAIA)

1200 Grand Blvd.
Kansas City, MO 64106

Jack Hazen (*USATF Board Representative*)

Phone 816-595-8000
Fax 816-595-8200
Website: www.naia.org
hazen@malone.edu

National Collegiate Athletic Association (NCAA)

Myles Brand, President
PO Box 6222
Indianapolis, IN 46206-6222

Liz Suscha (*USATF Board Representative*)

Ph: 317-917-6222
Fax 317-917-6888
Website: www.ncaa.org
lsuscha@ncaa.org

National Federation of State High School Associations (NFSHSA)

Becky Oakes (*USATF Board Representative*)
PO Box 690
Indianapolis, IN 46206-0690

Ph: 317-972-6900
Fax 317-822-5700
boakes@nfhs.org
Website: www.nfsha.org

National Junior College Athletic Association (NJCAA)

Wayne Baker, Executive Director
1755 Telstar Dr, Ste 103
Colorado Springs, CO 80920

Ph: 719-590-9788
Fax 719-590-7324
wbaker@njcaa.org
Website: www.njcaa.org

Road Runners Club of America (RRCA)

Jean Knaack, President
8965 Guilford Rd, Ste 150
Columbia, MD 21046

Jeff Darman (*USATF Board Representative*)

Ph: 410-290-3890
Fax: 410-290-3893
execdir@rrca.org
Website: www.rrca.org
jdarman@kennett.net

Running USA (RUSA)

Allan Steinfeld, *USATF Board Representative*
424 West 119th St Apt 45
New York, NY 10027

917-587-8223

asteinfeld@nyrrc.org

USATF 5-F-1 Organizations

All American Trail Running Association (AATRA)

Nancy Hobbs, Executive Director
PO Box 9454
Colorado Springs, CO 80932

Office 719-573-4405
Fax 719-573-4408
trlrunner@aol.com
Website: www.trailrunner.com

Amateur Athletic Union (AAU)

Bobby Dodd, President
The Walt Disney Resort
PO Box 10,000
Lake Buena Vista, FL 32830-1000

Office 407-363-6170
Fax 407-363-6171

American Alliance for Health, Physical Education, Recreation & Dance (AAHPERD)

Michael G. Davis, CEO
1900 Association Dr.
Reston, VA 22091

Phone 703-476-3400
Fax 703-476-9527

American Ultrarunning Association (AUA)

Dan Brannen
4 Strawberry Ln
Morristown, NJ 20814

Phone 973-898-1261
aau@americanultra.org

Catholic Youth Organization (CYO)

Joseph E. Panepinto, Executive Director
1011 First Ave., Room 620
New York, NY 10022

212-371-1011
Fax 212-826-3347
Website: www.cyono.org

National Senior Games Association (NSGA)

Bill Bankhead
PO Box 82059
Baton Rouge, LA 70884-2059

225-766-6800
Fax 225-766-9115
Website: www.nsga.com

U.S. Armed Forces Sports (USAF)

Suba Saty, Chief, Armed Forces Sports
Armed Forces Sports - Summit Centre
4700 King Street
Alexandria, VA 22302-4418

703-681-1614
Fax 703-681-1616
Website: dticam.dtic.mil/dodsports/

U.S. Corporate Cup Association

17 Arrowhead Dr
Monroe, CT 06468

Phone 203-373-2610
Fax 203-373-2650
holtzgard2@aol.com

U.S. Meet Directors Association (USMDA)

William Clark
TFSI Commonwealth
738 Main Street, Suite 212
Waltham, MA 02451

Home 781-647-4036
Fax 781-647-4037
aa.tf@juno.com

YMCA of the USA (YMCA)

Kevin Gladish, Executive Director
101 N. Wacker Dr.
Chicago, IL 60606

800-872-9622
312-977-0031
Fax 312-977-9063

RULE CHANGES

The following summarizes rule changes adopted by USATF at its 2007 Annual Meeting in Honolulu, HI.

Rule	Amendment
7	Describe methods for scoring of T&F, LDR, RW events.
119.4	Jury of Appeals may consult with all relevant persons.
128.6	Photo-finish set-up should include a zero control test
145	Results accomplished prior to a disqualification shall stand.
146.5	When electronic blocks are used, failure to recall a false start may be protested.
147	Mixed competition may be held for 5000m or more upon permission of the sports Chair.
162.8	Athletes may be cited with a yellow card for improper conduct when they unduly delay coming to the final set position.
166.1(f)	In seeded events run in lanes, three draws shall be made for lane assignments-preferred lanes, outside lanes, inside lanes.
166.1(h)	Updated table of heat and semifinal advancement
168.8, 169.3	Hurdle bar should have contrasting colors.
170.18	Any four athletes entered for the competition, may be used in a relay team.
180.4(e)	When the competing order is to be changed and there is a tie for any position, those tying shall compete in the same relative order according to the original draw.
180.8(d)iii	For the first attempt of any competitor upon entering the competition, the time allowed for such attempt shall be one minute. The number of competitors remaining in the competition includes those who could be involved in a jump-off for first place.
180.17	The length of the javelin runway is a minimum rather than a maximum.
181.5	At non-championships, alternative formats (limited number of heights or trials) may be used in the vertical jumps
181.8(c)	Amend method for first place jump-off in verticals
185.4(e)	First contact by foot is considered leaving the landing area
187.3(h)	For throws from a circle, a competitor may use one marker.
187.5	First contact by foot is considered leaving the landing area
187.6	Implement must first land entirely within sector to be legal.
188.2	Cartwheeling techniques are not permitted in the shot put.
188.4	Updated definition of 12 lb shot put.
189.3	Updated specifications for 0.75kg discus.
191.7	Hammer handle specifications updated.
191.9	Updated definition for 12 lb hammer.
214.2 (b), (c)	Indoor races up to and including 300m run in lanes.
217.4	Relay runners shall place themselves in the order of the incoming runners as they enter the last turn before the exchange, under the direction of an official.

260	Update World Record summary to match IAAF.
260.3	Effective 2009, world records for events with crouch start must use electronic blocks.
267	American Record for Decathlon for Open and Junior Women



RULES SECTION

TABLE OF CONTENTS

Rules Section

Foreword	9
Athletics Rules	11
Illustrations	199
Special Section	213

Appendices

Sample Forms	245
--------------------	-----

TABLE OF CONTENTS

ARTICLE I Championship Events and USA Olympic Team Selection

SECTION I GENERAL

	Rule	Page
National Championships	1	12
Regional Championships	2	13
Association Championships	3	14
Eligibility for Team Championships	4	14
Awards	5	15
General	6	16
Team Scoring	7	17
Non-Championship Competitions	8	19

SECTION II

MEN'S AND WOMEN'S TRACK AND FIELD CHAMPIONSHIPS

Outdoor Track and Field Championships	10	20
Indoor Track and Field Championships	11	24
National Track and Field Championships	12	26
Other Championships	13	27
Transferring Membership Prior to Championships	14	29

SECTION III

CROSS COUNTRY & LONG DISTANCE RUNNING CHAMPIONSHIPS

Men's and Women's Cross Country Championships	15	30
Long Distance Running Championships - Men	16	31
Trail/Mountain Running Championships - Men	17	32
Long Distance Running Championships - Women	20	32
Trail/Mountain Running Championships - Women	21	33

SECTION IV

RACE WALKING CHAMPIONSHIPS

Championship Events - Men and Women	25	34
-------------------------------------	----	----

SECTION V

OLYMPIC TEAM SELECTION

U.S. Olympic Selection	27	35
------------------------	----	----

ARTICLE II

DOPING

Doping	32	36
--------	----	----

ARTICLE III

Officials

Meet Personnel	11040
Games Committee	11142
National Technical Officials	11542
Photo Finish Operator	11843
Jury of Appeal.....	11943
Technical Manager	12344
Event Presentation Manager	12444
Referee	12544
Judges	12646
Umpires	12747
Timers	12848
Starter and Recall Starter	12950
Lap Scorers	13151
Competition Secretary	13252
Marshal	13352
Announcer	13452
Surveyor.....	13552
Wind Gauge Operator	13653
Electronic Measurement Judge	13753
Clerk of Course	13853
Additional Officials	13954

ARTICLE IV
Rules of Competition

SECTION I
GENERAL

Competitor Check-In	14256
Athletic Attire	14356
Assistance to Athletes	14458
Disqualification	14561
Protests	14661
Mixed Competition	14763
Measurements and Weights	14863
Validity of Performance	14964
Electronic Devices	15964
Track Lanes and Measurements	16064
Starting Blocks	16166
Method of Starting	16267
The Competition	16370
The Finish Line	16473
Timing	16573

SECTION II
TRACK EVENTS

Regulations for Forming Heats	16678
Running Event Ties	16784
Hurdles.....	16884
Steeplechase	16986
Relay Races.	17088

SECTION III
FIELD EVENTS

General Rules	18092
High Jump and Pole Vault	18199
High Jump	182103
Pole Vault	183104
Long Jump	185106
Triple Jump	186108
Throwing Events-General Rules	187108
Putting the Shot	188114
Throwing the Discus	189115
Hammer and Discus Throwing Cage	190116
Throwing the Hammer	191117
Throwing the Javelin	193118
Throwing the Weight	195122

**SECTION IV
COMBINED EVENTS**

Events -General Rules.....	200	125
Weight Pentathlon	201	129
Ultra Weight Pentathlon.....	202	129

**SECTION V
INDOOR COMPETITIONS**

Applicability of Indoor Rules	210	131
Indoor Stadium	211	131
Track Lanes & Measurement	212	131
Regulations for Forming Heats.....	214	133
Shoes	215	135
Hurdles.....	216	135
Relay Races.....	217	136
High Jump	218	137
Pole Vault	219	137
Horizontal Jumps	220	137
Shot Put/Weight Throw	221	137
Combined Events	222	138

**SECTION VI
RACE WALKING**

Judges of Race Walking	230	139
Race Walking Officials	231	141
General Rules	232	141

**SECTION VII
LONG DISTANCE AND ROAD EVENTS RUNNING AND WALKING**

Course Certification	240	143
Medical and Safety Concerns for Road Events	241	143
Starting a Running Event	242	144
Course Marking and Monitoring	243	145
The Finish Line	244	146
Finish Line Recording and Timing.....	245	146
Scoring Running Events	246	147

**SECTION VIII
CROSS COUNTRY**

General.....	250	148
Course	251	148
Start	252	149
Apparel.....	253	149
Finish	254	150

**SECTION IX
TRAIL AND MOUNTAIN RUNNING**

General.....	255	151
--------------	-----	-----

ARTICLE V

Records

World Records	260151
National Records	261152
Rules Applicable to All Records	262154
Rules Applicable to Track Events	263156
Rules Applicable to Field Events	264158
Rules Applicable to Long Distance Running Events	265158
Rules Applicable to Race Walking Events	266160
Events in Which Records Are Recognized.	267160
Men's Track and Field	267160
Women's Track and Field	267162
Indoor Events	267162
Junior Records (All Outdoors)	267163
Race Walking	267163
Men's Long Distance Running	267164
Women's Long Distance Running.....	267164
Masters Long Distance Running.....	267164
Youth Athletics	267164
Noteworthy Performances	268164

ARTICLE VI
Special Programs
SECTION I
YOUTH ATHLETICS

General Rules	300166
Track and Field Events	301169
Regulations and Specifications	302170
Regulations for Lanes and Heats.....	303176
National Cross Country Program	304179
Junior Olympics Program	305179
Special Events and Programs.....	306182

SECTION II
MASTERS ATHLETICS

General Rules	320184
---------------------	-----	----------

SECTION II-A
MASTERS TRACK AND FIELD AND RACEWALKING

General Rules	330186
Masters Track and Field Championships.....	331186
Competitive Rules and Standards For Masters Track and Field.....	332188
Masters Race Walking Championships	333194

SECTION II-B
MASTERS LONG DISTANCE RUNNING

General Rules	340195
Masters Long Distance Championships	341195

ILLUSTRATIONS199
Special Section213

NOTES

EDITOR'S NOTE

The rules applicable to domestic competition in Athletics -- track and field, race walking, road running and cross country -- are approved by USA Track & Field. These rules generally conform to those of the International Association of Athletics Federations (IAAF). Amendments to USA Track & Field's rules may be adopted at its Annual Meeting, based upon the recommendations of its Rules Committee. Inquiries regarding USATF or IAAF rules of competition may be addressed to the undersigned.

John C. Blackburn, Chair, Rules Committee

RULES CHAIR

John C. Blackburn
Home 843-853-8765
john@speedfish.com

SECRETARY

Bob Podkaminer
Home 707-545-1781
rpodkam@aol.com

Rich Benoy

Norman Brand
Home 202-244-2218
nbrandx@yahoo.com

Jon Drummond

Kenny Emerick
Home 206-361-2234
ken123e@aol.com

Danny Everett

Glenn Fortune
Home 541-782-3771
glenfor@q.com

Ed Gorman
Home 201-489-1130
egor29@aol.com

Phil Greenwald
greenwaldp@worldnet.att.net

David Greifinger
Office 310-452-7923
tracklaw@verizon.net

Gwen Harris
Office 215-898-7666

Jeff Hartwig

Monique Hennagan

Bob Hersh
Home 516-484-1793
bobhersh@hotmail.com

Bill Hickman
Home 206-284-1028
whickman@rmlaw.com

David Katz
Home 516-883-5599
katz@flrrt.com

George Kleeman
Home 925-229-2927
george_kleeman@comcast.net

Len Krsak
Home 614-899-6073
n2track@aol.com

Dexter McCloud
dexterm@
mindspring.com

Dr. Bert E. Lyle, Jr.
Home 940-387-4935

Bill McKee
Home 918-832-9820
usatfok@aol.com

Dennis Mitchell (coach)
330-972-7964

Dan Pierce

Raymond Pierre
Home 254-772-3903
raymondpierre
@sbcglobal.net

Bill Roe
Home 360-734-8892
bill.roe@usatf.org

Jim Sackett
Home: 623-243-9347
jim.sackett1@cox.net

Graeme Shirley
Home 619-292-6132

Brenda Taylor

Monique White
Home 610-666-0846

Russ Winger

COMPETITION RULES

ATHLETICS RULES

These Rules of Competition shall apply to all events sanctioned by USA Track & Field (“USATF”)

CLASSIFICATIONS

Except as otherwise provided herein or in USATF's Operating Regulations, the following championship classifications shall be open to all member athletes of USATF who have complied with the requirements of these Rules, the Bylaws, and the Operating Regulations:

- (a) Open: The Open classification shall have no maximum age limit. In men's long distance running, the Open classification shall be limited to male athletes sixteen (16) years and older on the day of the competition. In Open men's race walking and all Open women's competition, athletes shall be fourteen (14) years or older on the day of the competition.
- (b) Junior: The Junior classification shall be limited to athletes who are fourteen (14) years or older on the day of competition and will not become twenty (20) years of age during the year of the competition.
- (c) Youth: The Youth classification shall be limited to athletes who have not attained nineteen (19) years of age as of the final day of the National Junior Olympic Track and Field meet of the year of competition.
- (d) Masters: In Track and Field, the Masters classification shall be limited to athletes who are at least thirty-five (35) years old on the first day of the meet. In Long Distance Running, the Masters classification shall be limited to athletes who are at least forty (40) years old on the first day of the meet. (Effective January 1, 2011, the LDR limit shall be changed to 35 years old.)

**ARTICLE I
CHAMPIONSHIPS
AND OLYMPIC TEAM SELECTION**

**SECTION I
GENERAL**

**RULE 1
NATIONAL CHAMPIONSHIPS**

1. Eligibility:
 - (a) In the Open Men's and Women's Indoor and Outdoor Track and Field Championships, the Junior Men's and Women's Track and Field Championships, the Men's and Women's Race Walking Championships, the Men's and Women's Open, Junior, and Masters Cross Country Championships, and the Men's and Women's Long Distance Running Championships, only citizens of the United States who are eligible to represent the United States in all levels of international competition are eligible to compete. (In the Men's and Women's Race Walking Championships, Men's Long Distance Running Championships, and Masters Cross Country Championships, others may compete in a separate non-scoring division or race.)
 - (b) The Masters Track and Field Championships are open to all member athletes of USATF or of other IAAF member federations.
 - (c) The Masters Long Distance Running Championships are open to all member athletes of USATF, including permanent resident aliens. However, only U.S. citizens shall be awarded individual championship awards or score for a team.
 - (d) The Youth Athletics Championships are open to all member athletes of USATF, including aliens living in the United States and foreign exchange students.
2. Non-resident alien athletes, unless otherwise provided in these rules, may compete as invited guests only on a reciprocal basis. They may not displace otherwise qualified USATF member athletes for national titles, team scoring, and championship awards. When possible, a US citizen shall be added to the finals if displaced by a non-US citizen.
3. When a National Championship is used as a selection meet for an international competition, a Sport Committee may permit competition in the National Championship by a non-US citizen if the Sport Committee has been provided

with proof that the competitor will acquire eligibility to represent the United States after the Championship but prior to the international competition.

RULE 2

REGIONAL CHAMPIONSHIPS

1. Regional Championships may be annually conducted.
2. For Open and Junior Championships, except Cross Country, the Regions will comprise Associations as follows:

Region	Associations
East	Adirondack, Connecticut, Long Island, Maine, Metropolitan, Mid-Atlantic, New England, New Jersey, Niagara, Virginia, Potomac Valley, and Three Rivers
South	Alabama, Arkansas, Florida, Georgia, Gulf, North Carolina, Oklahoma, Southern, South Texas, Southwestern, South Carolina, Tennessee, and West Texas
North	Dakotas, Illinois, Indiana, Iowa, Kentucky, Lake Erie, Michigan, Ohio, Ozark, Minnesota, Missouri Valley, Nebraska, West Virginia, and Wisconsin
West	Alaska, Arizona, Border, Central California, Colorado, Hawaii, Inland Northwest, Montana, Nevada, New Mexico, Oregon, Pacific, Pacific Northwest, San Diego-Imperial, Snake River, Southern California, Utah, and Wyoming

3. For Open and Junior Cross Country and all Masters Championships, the Regions will comprise Associations as follows:

Region	Associations
East	Adirondack, Connecticut, Long Island, Maine, Metropolitan, Mid-Atlantic, New England, New Jersey, Niagara, Potomac Valley, and Three Rivers
Southeast	Alabama, Florida, Georgia, North Carolina, South Carolina, Tennessee, and Virginia
Midwest	Illinois, Indiana, Kentucky, Lake Erie, Michigan, Ohio, West Virginia, and Wisconsin

Mid-America	Colorado, Dakotas, Iowa, Minnesota, Missouri Valley, Nebraska, and Ozark
Southwest	Arkansas, Border, Gulf, Oklahoma, Southern, South Texas, Southwestern, and West Texas
Northwest	Alaska, Inland Northwest, Montana, Oregon, Pacific Northwest, Snake River, Utah, and Wyoming
West	Arizona, Central California, Hawaii, Nevada, New Mexico, Pacific, San Diego-Imperial, and Southern California.

4. For the definition of the Youth Athletics Regions, see Rule 300.4.
5. Resident aliens shall be permitted to compete in Regional Championships.

RULE 3 ASSOCIATION CHAMPIONSHIPS

1. All members of an Association shall be permitted to compete in that Association's Championships.
2. An athlete who has competed in the Championships of one Association shall not be eligible to compete in the same Championships of any other Association during the same year except as a non-scoring guest at the discretion of the Association meet director or the appropriate Association sports committee.
3. Athletes who are not members of an Association may compete as invited guests on a non-scoring basis at the discretion of the meet director or the appropriate Association sports committee.

NOTE: *See USATF Operating Regulations 7 and 8 for other provisions affecting eligibility for Association Championships.*

RULE 4 ELIGIBILITY FOR TEAM CHAMPIONSHIPS

1. In all USATF Team Championships, whether National, Regional or Association, only teams consisting of duly accredited representatives of a member club shall be eligible to win such team Championship. In Regional Championships, the team Championship may be contested on the basis of Association teams instead of club teams, at the option of the Games Committee.
2. In Long Distance Running, an athlete who is a non-resident member of an Association is eligible to compete for a team in that Association only if the athlete:

- (a) resides in an adjoining Association and the Association of residence does not offer the program, or
- (b) neither the Association of residence nor any Association adjoining the Association of residence offers the program.

NOTE: *An athlete with historical membership (at least 3 continuous USATF membership years) in a club is eligible to compete for that club.*

RULE 5 AWARDS

1. Unless otherwise provided in these rules, the following awards shall be made in all Championships:
 - (a) In Team Championships, a trophy shall be awarded to the winning team. Team trophies may be awarded to the second and third teams.
 - (b) Regulation gold and silver Championship medals shall be awarded for first and second places in each individual Championship event. Bronze Championship medals shall be awarded to the third through sixth place finishers, except in the USA Indoor Track and Field Championships, where bronze medals are awarded only to third and fourth place finishers. In Regional and Association Championships gold, silver, and bronze medals may be awarded for first, second, and third places, respectively.
 - (c) In events where there is team scoring, regulation gold, silver, and bronze Championship medals shall be awarded to the scoring members of the teams finishing first, second, and third except in Track and Field Championships. In the Men's and Women's Open, Junior, and Masters Cross Country Championships, such medals shall be awarded to the declared members of the teams finishing first, second, and third.
 - (d) Unless otherwise determined by the national Sport Committee, patches shall be awarded to the individual winners. Patches may be awarded to the scoring members of the team finishing first except in Track and Field Championships.
 - (e) Except in Masters LDR, whenever an event includes concurrent age-group and overall competition, in which a single performance can qualify for awards in the age group and/or in the overall competition, the entry blank shall specify one of the following:
 - i. that an athlete may win awards in both the overall category and in the athlete's age group, if there are such awards in that athlete's age group, or

- ii. that an athlete may win only one award and may, after the race, choose the award for overall competition or for the competition in the athlete's age group, but not both.
- (f) In Masters LDR, including cross country, masters shall be allowed to win awards in all categories (e.g. overall, age group and age-graded).

If (ii) is specified, competitors in the category not selected by the athlete eligible for more than one award shall be advanced in position so that all possible awards in each category are awarded, if there are sufficient numbers of competitors.

2. Other individual prizes, which shall be specified on the entry blank, may be presented as determined by the Championship sponsor subject to the approval of the appropriate sport committee of USATF.

RULE 6 GENERAL

1. USATF Operating Regulation 4 governs bids, bidding procedures, award procedures, selection of dates, rights for broadcast, and financial relations of USATF National Championships.
2. All entries for Championships shall be made on the entry form adopted by USATF. No entry form for any Championship shall be distributed until it has been submitted to and approved by the Chair(s) of the sport committee(s) involved and the Chief Executive Officer of USATF. The entry form shall include all pertinent information regarding filing dates, late entries, fees and declaration procedures.
3. The final date for entries to a National Championship shall be designated by the Chair of the sport committee involved. For track and field, this date shall be at least 14 days (outdoors) or 10 days (indoors) prior to the first competition that is part of the Championship. For the National Track & Field Club Championships, this date shall be at least 14 days. A late entry period, if any, shall be designated by the Chair of the sport committee involved.
4. Entry fees and late fees for all Championships shall be established by each sport committee, subject to the approval of USATF, and, unless otherwise provided by its Bylaws, shall be the property of USATF. Entry fees for the National Track & Field Club Championships and all long distance running events are the property of the event.
5. The officials, and the Games and Seeding Committees who are responsible for

the conduct of a Championship, shall be appointed by or subject to the approval of the appropriate sport committee(s).

6. Qualifying standards and procedures may be established for Championships and for qualifying competition for international competition by the sport committee concerned.
7. The rights of defending USA Open individual event National champions shall be governed by the following:
 - (a) Each individual winner of the previous year's USA Open Championships shall be entitled to receive from the sponsoring organization full expenses to enable the athlete to defend his or her title if, in the opinion of the sport committee concerned, the champion is in condition to defend the title.
 - (b) Where two or more athletes are co-holders of a Championship, an allotment in an amount equal to the expenses of the co-holder who resides the greatest distance from the city in which the meet or event is being held shall be provided and each co-holder shall receive a pro rata percentage of such allotment, calculated on a mileage basis. Where possible, co-holders should be paid full expenses.
 - (c) For reasons appearing good and sufficient, the Executive Committee of the sport committee concerned, unless otherwise provided by USATF, by a majority vote of those voting, may suspend or abrogate all requirements or provisions for the payment of expenses of any and all champions as provided for herein.
 - (d) If funds are available, all individual event winners of the National Track & Field Club Championships shall receive an equal share of such funds.
 - (e) The sponsoring organization of any Championship, with the approval of the sport committee concerned, may allocate additional funds to other place winners of the previous year's Championship or for noteworthy performers.

RULE 7 TEAM SCORING

1. For meets that have team scoring, the procedure for scoring, including events and calculation methods, shall be included in the entry material. Prior to the start of the event, the team coach or other representative shall declare the team entries eligible for scoring.

2. Regional Championships may be scored on the basis of Association teams instead of club teams at the option of the Games Committee.

Track and Field

3. The team score shall be the total of all points earned by eligible competitors for a given team. Scoring shall be five (5) points for each first place scored, three (3) points for second, two (2) points for third, and one (1) point for fourth. Events not included on the entry blanks, and events (other than novice events) not open to all USATF member athletes shall not count in the scoring for team point trophies. Relay races shall be scored as any other event. In combined events, the team score shall be the sum of the scores of the top three members of each team. For Masters exemption see Rule 331.2

Long Distance Running, Cross Country, and Race Walking

4. Two methods exist for scoring team Championships: scoring by place and scoring by time.
5. The team Championships in Long Distance Running and Race Walking shall be scored by time. The team Championships for Open, Masters, Junior and Youth Cross Country shall be scored by place.
6. Scoring by place:
 - (a) The team score shall be the total of the finishing positions of the scoring members. The team with the lowest total points is the team winner.
 - (b) Runners of incomplete teams, team entries not declared eligible for team scoring, and unattached or individual competitors will be eliminated from team scoring. Non-scoring declared members of complete teams shall retain their finishing positions and thereby displace other runners.
 - (c) When separate competitions are conducted simultaneously, each shall be scored independently. Runners on teams not eligible for a given competition will be eliminated from team scoring in that competition.
 - (d) In the event of a tie between two or more individual runners, each shall score the number of points determined by dividing the total of the finish places by the number of runners who have tied.
7. Scoring by time:

The team score shall be the aggregate time of the scoring members. The team with the lowest aggregate time is the team winner.

8. In team Championships scored by time, if the Games Committee determines that scores for the winning teams cannot be determined because of clock failure or other reasons, team Championships shall be determined by scoring by place.
9. Whether scoring by time or place:
 - (a) If a team fails to finish with a complete scoring team, the team members finishing shall be counted as individuals in the race results and shall be eligible to receive individual awards.
 - (b) Ties between two or more teams shall be resolved by determining which team's last scoring member finished nearest to first place. If the tie still exists, the next to last scoring members are compared in the same way, etc.

RULE 8
NON-CHAMPIONSHIP COMPETITIONS

1. So far as possible, the rules for the conduct of Championships shall apply to all other competitions conducted or sanctioned by USATF or any of its Associations.
2. Unless otherwise provided in these rules, age limitations or divisions for Championship competition apply to open events or meets sanctioned or conducted by USATF. In Long Distance Running non-championship events, age divisions may be determined by the Association sport committee or the sponsoring organization.
3. Points for track and field meets shall be scored in accordance with the appropriate provisions of Rule 13, except that events not included on the entry blanks, and events (other than novice events) not open to all USATF member athletes shall not count in the scoring for team point trophies. Relay races shall be scored as any other event.
4. When a prize or trophy is awarded for individual high scoring in any meet, points shall be scored in the same manner as points would be scored for the team Championships or point trophy in that meet, except that points scored for relay races shall not be counted. In case of a tie, the trophy or prize shall be awarded to the competitor winning the most first places.

SECTION II
MEN'S AND WOMEN'S TRACK AND FIELD
CHAMPIONSHIPS

RULE 10
USA OUTDOOR TRACK AND FIELD CHAMPIONSHIPS

1. The Men's and Women's Track and Field Committees shall annually conduct the USA Outdoor Open and Junior Track and Field Championships. The Men's and Women's Championships may be conducted jointly, or each Championship may be conducted separately. The Chairs of the Track and Field Committees and/or their appointed representative(s) shall be Referee(s) of the Championships. It is recommended that such Referee(s) be certified officials at the National or Master level.
 - (a) The Open Championships, at the discretion of the National Track and Field Committees, shall be held as a two-, three- or four-day meet in accordance with a time schedule of events determined by the National Track and Field Committees.
 - (b) The Junior Championships may be held separately from the Open Championships.
- NOTE:** See Rule 12 for *The National Track & Field Club Championships*. See Rule 13 for *Regional and Association Championships*.
2. (a) Following are the standard events for the USA Open and Junior Outdoor Track and Field Championships:

Men's Events

100 Meters	High Jump
200 Meters	Pole Vault
400 Meters	Long Jump
800 Meters	Triple Jump
1500 Meters	Shot Put (7.26kg)(Jr. - 6kg)
5000 Meters	Discus Throw (2kg)(Jr. - 1.75kg)
10,000 Meters	Hammer Throw (7.26kg)(Jr. - 6kg)
20,000 Meter Walk	Javelin Throw (800g)
110 Meter Hurdles	
400 Meter Hurdles	
3000 Meter Steeplechase	

Women's Events

100 Meters	High Jump
200 Meters	Pole Vault
400 Meters	Long Jump
800 Meters	Triple Jump
1500 Meters	Shot Put (4kg)
5000 Meters	Discus Throw (1kg)
10,000 Meters	Hammer Throw (4kg)
20,000 Meter Walk	Javelin Throw (600g)
100 Meter Hurdles	
400 Meter Hurdles	
3000 Meter Steeplechase	

- (b) In the Junior Men's and Women's Championship, the distance of the race walk shall be 10,000 meters.
 - (c) Open USA Race Walking Championships shall, where practical, start and/or finish on the track.
 - (d) In the Junior Women's Championship, the distance of the Steeplechase shall be 2000 meters.
3. (a) In the USA Track and Field Championships, all entered contestants shall have met the qualifying standards adopted by the respective sport committee or by the properly authorized subcommittee thereof and listed on the entry blank, or must be approved by a special subcommittee appointed by the Chair of the respective sport committee. Petitions to said special subcommittee must be presented in writing.
- (b) Automatic Qualification
 - i. Track and Field. Any athlete who has, in the current year or during the four previous calendar years, earned an individual medal in track and field in an Olympic Games or in an IAAF World Indoor or Outdoor Championship, or in the previous year won an individual USA Open Outdoor Championship event shall be afforded automatic qualification into all USA Open Indoor and Outdoor Track and Field Championships and Olympic trials in the same event in which the athlete has won the medal or championship. For this purpose, the indoor 60m, mile, and 3,000m distances are interchangeable with the outdoor 100m/ 110m, 1500m and 5,000m, respectively.
 - ii. Race Walking. Any athlete who has, in the current year, or during the previous four calendar years in a race walking event (1) earned an indi-

vidual medal in an Olympic Games or in an IAAF World Indoor or Outdoor Championships, (2) won an individual Championship at the USA Open Indoor or Outdoor Track Championships, (3) won a USA Championship in the 50-Kilometer Walk, or (4) won a USA Olympic Trial, shall be afforded automatic qualification into all USA Open Indoor and Outdoor Championships and Olympic Trials in a race walking event of his or her choice.

iii. Marathon. Any athlete who has, in the current year, or during the previous four calendar years in the Marathon, (1) earned an individual medal in an Olympic Games or in an IAAF World Championships, (2) won an individual USA Championship, or (3) won a USA Olympic Trial, shall be afforded automatic qualification into all USA Marathon Championships and the Olympic Marathon trial.

4. (a) The Meet Director, Games Committee, and/or sponsoring organization of the USA Track and Field Championships must:

i. Provide and make available entry blanks and information for members of the Track and Field Committees, and each Association president, secretary, and office as well as to clubs and individuals who request them. The materials shall be mailed to Association presidents, secretaries, and offices, and made available to others, at least 60 days prior to the competition.

ii. Provide to committee members, coaches, and individuals desiring to enter, the meet's procedures and regulations.

iii. Provide to the Track and Field Committee, its Chair, coaches, and other appropriate persons, by 9 p.m. two days prior to competition, a list of entrants in each event, arranged in order of their best performances. If there are any corrections necessary to the posted entries or performances, these shall be submitted in writing to the appropriate Track and Field Committee Chair, or the Chair's appointed representative, by 1 p.m. on the day prior to the start of the Championships.

iv. Notify the entrant or his/her coach of any irregularity in an application at least three days before the meet.

v. Together with the National Track and Field Committee Chair or the Chair's appointed representative(s), finalize all events, form the heats for competition, present them to the Track and Field Committee, coaches, officials, or other concerned persons by at least 24 hours prior to the time of competition for each event.

- (b) The coaches or athletic directors of the teams or individual athletes in the USA Track and Field Championships must:
- i. Properly submit entries on forms used for that purpose. All entries must be submitted in accordance with the guidelines stated on the entry blank or accompanying event material.
 - ii. Submit final declarations for or by each athlete for each entered event as stated on the entry blank.
 - a. Declarations by officially designated website, telephone, including facsimile, or in person must be received at the designated declaration location no later than 8 p.m. where the Championship is held, two days prior to the start of the Indoor Championships and no later than 12 noon where the Championship is held two days prior to the start of the Outdoor Championships.
 - b. The declarations must list the final corrected performance of each athlete for each event entered.
 - c. Upon approval of the Chair of the appropriate Sport Committee, an athlete may declare with exhibition status.
 - iii. Submit to the Games Committee no later than the day prior to the first day of the Championship competition, evidence of membership in USATF. Such evidence may consist of the athlete's membership card (or copies thereof), or, when the foregoing is unobtainable, of a written statement signed by the Chair of the Member Services Committee or the Secretary of an Association, on the letterhead or appropriate form of the Association, indicating that the named athletes were athlete members of a registered club.

NOTE: *Competitors who have not complied with these provisions will not be entered in the Championships unless they appeal in person to the National Track and Field Committee Chair or the Chair's appointed representative. Petitions for late declarations must be based on corroborated evidence that a declaration was made during the proper declaration period. The National Track and Field Committees shall establish a procedure to process appeals.*

- (c) The National Track and Field Committees shall establish late declaration procedures and fees.

POINT SCORE - Trophies

5. (a) A trophy (which may be in the form of a certificate) may be awarded to the Association whose member athletes score the greatest number of points in

the Open or Junior Championships. Scoring in such Championships shall be ten (10) points for each first place scored, eight (8) points for second, six (6) points for third, four (4) points for fourth, two (2) points for fifth, and one (1) point for sixth.

- (b) Should ties remain after applying Rule 167, Rule 180.14, or Rule 181.8, the points to be awarded for the tied places shall be totaled and points equal to this total divided by the number of tied competitors shall be scored for the each individual so tied.
- (c) When two or more Associations have the same number of points, any trophies shall be awarded in multiple copies.

6. See Rule 5 for awards.

RULE 11

USA INDOOR TRACK AND FIELD CHAMPIONSHIPS

- 1. The Men's and Women's Track and Field Committees shall annually conduct the USA Open Indoor Track and Field Championships. The Men's and Women's Championships may be conducted jointly, or each Championship may be conducted separately. The Chairs of the Track and Field Committees and/or their appointed representative(s) shall be Referee(s) of the Championships. It is recommended that such Referee(s) be certified officials at the National or Master level.
- 2. (a) Following are the standard Championship events for the USA Indoor Track and Field Championships (Open or Junior).

Men's Events

60 Meter Dash	High Jump
200 Meter Dash	Pole Vault
400 Meter Dash	Long Jump
800 Meter Run	Triple Jump
1500 Meter or 1 Mile Run*	Shot Put (7.26 kg)(Jr. - 6 kg)
3000 Meter Run	Weight Throw (35 lb.)
5000 Meter Walk	
60 Meter Hurdles	
4x400 Meters Relay	
4x800 Meters Relay	
Distance Medley Relay (1200-400-800-1600)	

Women's Events

60 Meter Dash	High Jump
200 Meter Dash	Pole Vault
400 Meter Dash	Long Jump
800 Meter Run	Triple Jump
1500 Meter or 1 Mile Run*	Shot Put (4 kg)
3000 Meter Run	Weight Throw (20 lb.)
3000 Meter Walk	
60 Meter Hurdles	
4x400 Meters Relay	
Distance Medley Relay (1200-400-800-1600)	

*In years of IAAF World Indoor Championships, if the qualifying standards for the IAAF meet do not include a standard for the mile, the 1500 Meters shall be run.

- (b) The order of events shall be determined by the National Track and Field Committees or their representatives.
 - (c) The 200m event may be conducted at the discretion of the appropriate Track and Field Committee, either as a Championship or non-Championship event.
 - (d) No more than two teams may be entered by any club in any relay race.
 - (e) The relays listed may be conducted at the discretion of the appropriate Track and Field Committee, either as Championship or non-Championship events.
3. (a) Each competitor in all track events, including each relay team, must, in person or through an authorized representative, report to the Clerk of Course one hour before the start of the first listed round of the event and confirm their declaration as to whether he/she/they will or will not compete in the event. Directly thereafter, the Clerk of Course shall turn over the actual list of starters to the Chair of the Track and Field Committee who, with the Referee and such other persons as he or she may appoint, will determine whether the number of rounds in the event, or the number of heats in each round or the seeding of athletes in particular heats should remain as previously announced or should instead be changed.
- (b) Where there are insufficient entrants who have met the qualifying standards and who have declared that they will compete, to make a final of an event competitive, the Games Committee or its representatives, prior to the day of the Championships, may approve for that final a limited number of

additional entries from those who have entered the event prior to the closing date for entries, but who have not met the qualifying standards for that event, provided that such additional entries be approved in the order of best qualifying performance. The Games Committee shall exercise reasonable efforts to notify those entrants of the opportunity to compete.

- (c) The provisions of Rules 10.3 and 10.4 pertaining to the conduct of the Outdoor Championships shall be applicable to the Indoor Championships unless otherwise provided in this Rule.

4. See Rule 5 for awards.

RULE 12

NATIONAL TRACK & FIELD CLUB CHAMPIONSHIPS

1. The Associations Committee, with assistance and representation from the Men's and Women's Track & Field Committees, shall annually conduct the National Track & Field Club Championships. This will be a combined men's and women's championship. A joint subcommittee with representatives of all three committees named by the chair of the Associations Committee shall appoint the Games Committee, Referee(s), and chief officials, who shall be certified officials at the National or Master level. Regional club championships may be held in each region and used for qualification into the national meet. All participants shall be a member of a USATF member club.
2. Rule 10 shall apply to the National Track & Field Club Championships except that:
 - (a) The following relays are included as standard events:
 - 4x100 Meters Relay
 - 4x400 Meters Relay
 - 4x800 Meters Relay
 - Sprint Medley Relay (200-200-400-800)
 - Distance Medley Relay (1200-400-800-1600);
 - (b) The 10,000 Meters shall be optional; and
 - (c) Contestants may be a regional winner or runner-up, or be declared by a right-of-membership club to be their entry into an event, instead of meeting a qualifying standard.
 - (d) A trophy shall be given to the team scoring the most points. Scoring shall be ten (10) points for each first place scored, eight (8) points for second, six (6) points for third, four (4) points for fourth, two (2) points for fifth, and

one (1) point for sixth. Should ties remain after applying Rule 167, Rule 180.14 or Rule 181.8, the points to be awarded for the tied places shall be totaled and points equal to this total divided by the number of tied competitors shall be scored for the team of each individual so tied. When two or more teams have the same number of points, the teams shall be co-champions and any trophies shall be awarded in multiple copies.

RULE 13 OTHER CHAMPIONSHIPS

1. In addition to the USA Open and Junior Outdoor, the USA Indoor Championships, and the National Track & Field Club Championships, as above, the following Championships may be conducted at the discretion of the National Track and Field Committees:

Men

- (a) USA Junior Indoor Track and Field Championships.
- (b) Club Relay Championships
 - 400 Meters Relay (4x100)
 - 800 Meters Relay (4x200)
 - 1600 Meters Relay (4x400)
 - 3200 Meters Relay (4x800)
 - 6000 Meters Relay (4x1500)
 - 440 Meters Shuttle High Hurdles Relay (4x110)
 - 1600 Meters Sprint Medley Relay (400-200-200-800)
 - 4000 Meters Distance Medley Relay (1200-400-800-1600)
 - (All relays may be run in the equivalent yard distances.)
- (c) Decathlon (see Rule 200)
- (d) Pentathlon (see Rule 200)
- (e) Indoor Pentathlon (see Rule 200)
- (f) Indoor Heptathlon (see Rule 200)
- (g) 56 lb. Weight Throw (see Rule 195). This event shall be held independently of the USA Track and Field Championships.

Women

- (a) Heptathlon (see Rule 200)
 - (b) Indoor Pentathlon (see Rule 200)
 - (c) Club Relay Championships (all events listed under Men (b) above).
2. Regional and Association, Open and Junior Outdoor Track and Field Championships may be held. Rule 10 shall apply to such Championships except:

- (a) The Mile may be conducted instead of the 1500 Meters, at the discretion of the appropriate sports committee.
 - (b) A 5000 or 10,000 Meter Race Walk may be conducted instead of the 20,000 Meter Race Walk.
 - (c) See Rule 13.5 for scoring.
3. Regional and Association, Open and Junior Indoor Track and Field Championships may be held. Rule 11 shall apply to all such Championships except:
- (a) In Association Championships, the Men's Race Walk may be either 3000 Meters or 5000 Meters.
 - (b) See Rule 13.5 for scoring.
4. The declaration procedures for Championships in this Rule shall be established by the Games Committee of each Championship and made known through the inclusion of such procedures in the entry material for the Championship. At the time of the declaration of entries, the declarer must indicate whether or not relay teams entered are to compete, but designation of the make-up of a relay from the athletes listed for the relay team entered need not be made until the designated time before the start of the first round of the event as determined by the Games Committee or by these rules. The entry form for the Combined Events at any National Championship shall include provision to enter best individual performances for each event of the Combined Event during the defined qualification period.

POINT SCORE - Trophies

5. (a) There may be a team Championship, scoring or point trophies in all events listed in this Rule and for other meets sanctioned by any Association. Regional Championships may be scored on the basis of Association teams instead of club teams at the option of the Games Committee. Scoring in all Championships in this Rule shall be five (5) points for each first place scored, three (3) points for second, two (2) points for third, and one (1) point for fourth.
- (b) The provisions of Rule 10.5(b) and (c) pertaining to ties and trophies shall be applicable to all events listed in this Rule.
- (c) In combined events, the team score shall be the sum of the scores of the top three members of each team.
6. See Rule 5 for awards.

RULE 14
TRANSFERRING MEMBERSHIP PRIOR TO CHAMPIONSHIPS

In Men's and Women's Track and Field, an athlete who is an athlete member of one club, other than an educational institution, at the date of closing of entries for Championships under the jurisdiction of the track and field sport committees, may not change membership to another club prior to the Championships or be eligible to represent or score points for the club to which he/she seeks to change membership. If the athlete does not desire to compete for the original organization, he or she may compete unattached, representing no club. Notwithstanding the above, an athlete may transfer from an educational institution to a club in accordance with USATF Operating Regulation 8.

**SECTION III
CROSS COUNTRY & LONG DISTANCE RUNNING
CHAMPIONSHIPS**

**RULE 15
MEN'S AND WOMEN'S CROSS COUNTRY CHAMPIONSHIPS**

1. There shall be two National Cross Country Championships, the Fall National Championships and the Winter National Championships, both conducted by the Cross Country Council. Runners may compete in both the Fall and Winter events as individuals. The Cross Country Council may add additional Masters Cross Country Championships to the national schedule.
2. Eligibility for the National Championships shall be as stated in Rule 1.1(a). Association Championships are open to all athlete members of USATF. Age limitations are as stated in the Classifications provisions preceding Rule 1.
3. There shall be Open and Masters competition at the Fall National Championships. There shall be Open, Masters, and Junior competition at the Winter National Championships.
4. The distances contested at the Fall National Championships are 10,000 meters (or as close as feasible) for men and 6000 meters (or as close as feasible) for women. The distances contested at the Winter National Championships shall be as close as feasible to the distances to be contested that year at the IAAF World Cross Country Championships. The measured distances should be printed in the program and the results.
5. The number of entries for a team shall be unlimited. In the Fall National Championships and in Association and Regional Championships, a maximum of eight entries shall be declared and the first five declared members of each team shall count in that team's score. In the Winter National Championships a maximum of six entries shall be declared and the first four declared members of each team shall count in that team's score. The following chart shows the race distances (as close as is feasible) and team scoring members. The distances shown for the Winter Championships are those currently used by the IAAF.

Championship	Men's Dist.	Women's Dist.	Declared	Scorers
Fall	10,000m	6000m	8	5
Winter				
Open	12,000m	8000m	6	4
Junior	8000m	6000m	6	4

6. See Rule 7 for scoring for the Fall National Championships. See Rule 341.1 for Masters' distance, declaration, and scoring. See Rule 5 for awards.
7. If a club enters more than one team, each team should be clearly identified.

RULE 16
LONG DISTANCE RUNNING CHAMPIONSHIPS - MEN

1. The Men's Long Distance Running (LDR) Committee may conduct USA Open and Junior Championships in the events shown in the table on the following page. In addition to these championships, the Men's LDR Committee may, on an annual basis, award National Championships at other distances under their jurisdiction including the Road Mile.
2. Regional Championships may be conducted at the distances listed in the same table. (See Rule 2 for regions). Regional Championships shall be awarded by a vote of Men's LDR committee representatives from the Associations in that region. Eligibility and awards are the same as for National Championships. Associations are encouraged to conduct Championships at the distances listed in the table.
3. Eligibility for the Championships shall be as stated in Rule 1.1(a). Age limitations are as stated in the Classifications preceding Rule 1.
4. The maximum number of entries per team shall be unlimited. The number of entries to be declared, and the scoring for a team for National, Regional, and Association Championships, unless otherwise provided in these rules, is set forth in the table below.
5. The Men's LDR Committee may contest additional team championships, with a separate set of awards.
6. National and Regional Marathon Championships may be conducted using time limits which must be stated in the bid application to the Men's LDR Committee and on all entry/information forms.
7. In the marathon road relay, teams shall consist of six runners with legs in the following order: 10km, 5km, 10km, 5km, 5km, and 7.2km, or five runners with legs in the following order: 10km, 5km, 10km, 5km, and 12.2km.
8. The courses of all National, Regional, and Association Road Championships must meet certification requirements stated in Operating Regulation 6.
9. See Rule 7 for scoring. See Rule 5 for awards.

TABLE OF EVENTS

Event	Open	Junior	Declared	Scorers
Road				
5000 Meters	X	X	8	5
8000 Meters	X	X	8	5
10,000 Meters	X	X	8	5
12,000 Meters	X	X	8	5
15,000 Meters	X	X	8	5
20,000 Meters	X	X	8	5
Half Marathon	X	X	8	5
25,000 Meters	X		8	5
30,000 Meters	X		5	3
Marathon	X		5	3
Marathon Relay	X	X	Unl.	Team
Road or Track				
50,000 Meters	X		5	3
50 Miles	X		5	3
100 Miles	X		5	3
12 hours	X		5	3
24 hours	X		5	3
Track				
1 hour*	X	X	5	3

* May be postal event

RULE 17

TRAIL/MOUNTAIN RUNNING CHAMPIONSHIPS - MEN

The Men's Long Distance Running Committee may annually conduct Open Trail and/or Mountain Running Championships at such distances as it deems appropriate. These Championships shall be conducted using LDR rules.

RULE 20

LONG DISTANCE RUNNING CHAMPIONSHIPS - WOMEN

1. The events listed on the following page may be conducted by the Women's Long Distance Running (LDR) Committee as USA Championships for women. In addition to these Championships, the Women's LDR Committee may, on an annual basis, award National Championships at other distances under their jurisdiction.

CHAMPIONSHIP DISTANCES

Track or Road	Track	Road
15,000 Meters	Mile	
20,000 Meters	*1 hour	5000 Meters
25,000 Meters	*2 hour	8000 Meters
30,000 Meters		10,000 Meters
50,000 Meters	*Postal event	12,000 Meters
50 miles		Half-Marathon
100,000 Meters		Marathon
100 miles		Marathon Relay
12 hours	Track, Road or Indoor Track	
	24 hours	

- Regional Championships in the foregoing events may be conducted after being awarded by the Regional Chair of the Women's LDR Committee. Association Championships should be conducted by each Association in the foregoing events.
- The maximum number of entries for a team shall be five women and only the first three members of each team to finish shall count in the team scoring. In Association championships, the maximum number of entries for a team, and the number of members of each team for scoring may be determined by the Games Committee and shall be stated in the entry material.
- In the marathon road relay, teams shall consist of six runners with legs in the following order: 10km, 5km, 10km, 5km, 5km, and 7.2km, or five runners with legs in the following order: 10km, 5km, 10km, 5km, and 12.2km.
- In addition to the USA, Regional and Association Championships set forth above, the Age Group Championships for ages 30-34 and 35-39 may be conducted as part of the Women's LDR Championships.
- There may be a qualifying standard for entry into a National LDR Championship.
- Eligibility for the Championships shall be as stated in Rule 1.1(a). Age limitations are as stated in the Classifications provisions preceding Rule 1.
- The courses of all National, Regional and Association Road Championships must meet the certification requirements stated in Operating Regulation 6.
- See Rule 7 for scoring. See Rule 5 for awards.

RULE 21

TRAIL/MOUNTAIN RUNNING CHAMPIONSHIPS - WOMEN

The Women's Long Distance Running Committee may annually conduct Open Trail and/or Mountain Running Championships at such distances as it deems appropriate. These Championships shall be conducted using LDR rules.

SECTION IV
RACE WALKING CHAMPIONSHIPS

RULE 25
CHAMPIONSHIP EVENTS - MEN AND WOMEN

1. Upon receipt of acceptable bids, the following USA Open and Junior Championships may be conducted by the Race Walking Committee (the events may be conducted as Association or Regional Championships following the rules for the USA Championships):

- (a) Outdoor Championships:

		Men		
		Open		Junior
5000 Meters	50,000 Meters			5000 Meters
10,000 Meters	100,000 Meters			10,000 Meters
15,000 Meters	100 Miles			15,000 Meters
20,000 Meters	1 hour			20,000 Meters
30,000 Meters				1 hour
40,000 Meters				

		Women		
		Open		Junior
5000 Meters	50,000 Meters			5000 Meters
10,000 Meters	100,000 Meters			10,000 Meters
15,000 Meters	100 Miles			15,000 Meters
20,000 Meters	1 hour			20,000 Meters
30,000 Meters				1 hour
40,000 Meters				

- (b) Indoor Championships:

Men – One Mile
3000 Meters
5000 Meters (held with Track and Field Championships)

Women – 3000 Meters (held with Track and Field Championships)

2. Teams and Reserves:

- (a) For other than National Championships, each team may enter an unlimited number of athletes. A maximum of five and minimum of three athletes form a team for National Championships. Team members must be declared prior to the competition. The first three finishers of each team shall score. A club may enter more than one team, but all members of each scoring team must be appropriately declared prior to the competition.

- (b) Members ineligible at the declaration of the team for team competition

may race as individual entries; individual entries will be accepted. Members of depleted teams that are unable to field the necessary scoring number may race as individual entries.

3. The courses for all National, Regional, and Association Road Championships must meet certification requirements stated in Operating Regulation 6.
4. See Rule 5 for awards. See Rule 7 for scoring.

**SECTION V
OLYMPIC TEAM SELECTION**

**RULE 27
U.S. OLYMPIC SELECTION COMPETITION**

1. All competitors in U.S. Olympic selection competition shall comply with entry procedures and shall have met qualifying standards approved by the applicable sport committee(s).
2. The personnel conducting the U.S. Olympic selection competition shall be selected in the following manner:
 - (a) Members of the Jury of Appeal shall be nominated by the applicable sport committee(s).
 - (b) Referees shall be nominated by the joint subcommittee of the applicable sport committee(s) and, for events held entirely within the stadium, the National Officials Committee.
 - (c) Track and Field competition officials (except Referees and members of the Jury of Appeal) shall be selected as described in Regulation 4-H-1.
 - (d) All Marathon officials shall be selected by the appropriate Long Distance Running Committee.

ARTICLE II DOPING

RULE 32 DOPING

1. Under the Rules of the International Association of Athletics Federations (IAAF) and the Operating Regulations of USATF, doping is strictly forbidden. The governing provisions are those of IAAF Rules 30-45 and USATF Regulation 10. This Rule 32 is intended only as a helpful summary of those provisions and not as an official source.
2. The following are guilty of a doping offense:
 - (a) An athlete whose body tissues or fluids are found to contain a prohibited substance,
 - (b) An athlete who uses or takes advantage of a prohibited technique,
 - (c) An athlete who admits having used or taken advantage of a prohibited substance or a prohibited technique,
 - (d) An athlete who fails or refuses to submit to doping control after having been properly requested to do so,
 - (e) A person who assists or incites an athlete to use a prohibited substance or a prohibited technique,
 - (f) A person who in any way improperly interferes with the collection, shipment, storing or testing of a sample, or with the administration of USATF's or the IAAF's doping control regulations, and
 - (g) An athlete who competes while ineligible to compete because of a doping offense.
3. The list of prohibited substances is included in the IAAF's Procedural Guidelines for Doping Control. That list may be amended from time to time. Metabolites of prohibited substances are also prohibited. As of January 1, 2007, the list includes the following substances:
 - (a) Stimulants: *e.g.* adrafinil, adrenaline, amfepramone, amiphenazole, amphetamine, amphetaminil, benzphetamine, benzylpiperazine, bromantan, carphedon (4-phenylpiracetam), cathine*, clobenzorex, cocaine, dimethylamphetamine, ephedrine*, etilamphetamine, etilefrine, famprofazone, fencamfamin, fencamine, fenetylline, fenfluramine, fenproporex, fur-

fenorex, mefenorex, mephentermine, mesocarb, methamphetamine, methylamphetamine, methylenedioxyamphetamine, methylenedioxyamphetamine, methylephedrine**, methylphenidate, modafinil, nikethamide, morfenfluramine, parahydroxyamphetamine, pemoline, phendimetrazine, phemetrazine, phentermine, prolintane, selegiline, strychnine, tuaminoheptane, and other substances with similar chemical structure or similar biological effects.

- (b) Narcotic Analgesics: *e.g.*, buprenorphine, dextromoramide, diamorphine (heroin), fentanyl and its derivatives, hydromorphone, methadone, morphine, oxycodone, pentazocine, and pethidine.
- (c) Cannabinoids (*e.g.* hashish, marijuana).
- (d) Steroids and anabolic agents: *e.g.*, androstenediol, 1-androstenedione, bolandiol, bolasterone, boldenone, boldione, calusterone, clenbuterol, clostebol, danazol, dehydrochlormethyltestosterone, dehydroepiandrosterone (DHEA), desoxymethyltestosterone, dihydrotestosterone, drostanolone, ethylestrenol, fluoxymesterone, formebolone, furazabol, gestrinone, 4-hydroxytestosterone, 4-hydroxy-19-nortestosterone, mestanolone, mesterolone, methandienone, metenolone, methandriol, methyl-dienolone, methyltestosterone, methylnortestosterone, methyl-trienolone, mibolone, nandrolone, 19-norandrostendiol, 19-norandrostendione, norbolethone, norclostebol, norethandrolone, oxabolone, oxandrolone, oxymesterone, oxymetholone, prasterone, prostanazol, quinbolone, stanozolol, stenbolone, 1-testosterone, tetrahydrogestrinone, tibolone, trenbolone, zeranol, zilpaterol, and other substances with a similar chemical structure or similar biological effect(s).
- (e) Peptide Hormones, Mimetics, and analogs: *e.g.*, Corticotrophin (ACTH), Glucocorticosteroids**, Gonadotrophins*** (LH, HCG), Growth Hormone (hGH, somatotrophin), Erythropoietin (EPO) and other erythropoiesis-stimulating proteins (*e.g.* NESP, Nynepo), Mechano growth factors (MGFs), Insulin-like Growth Factor (IGF-1), Insulin****, and all respective releasing factors of these substances.
- (f) Anti-Estrogenic agents including Aromatase inhibitors, clomiphene, cyclofenil, Estrogen Receptor Modulators (SERMs), and tamoxifen are prohibited.
- (g) Diuretics and other masking agents: *e.g.*, probenecid and chemically or pharmacologically related compounds. Also many diuretics.

*Cathine is prohibited when its concentration in urine is greater than 5 micrograms per milliliter. For ephedrine and methylephedrine, the definition of a pos-

itive finding is one in which the concentration in urine exceeds 10 micrograms per millilitre. For phenylpropanolamine and pseudoephedrine, the definition of a positive finding is one in which the concentration in urine exceeds 25 micrograms per millilitre.

** USATF and the IAAF may, on notification and medical recommendation prior to use, approve inhalation therapy and local or intraarticular injections of corticosteroids. and inhalation of certain beta-2 agonists.

*** Circumstances under which samples will be deemed to be positive for dihydrotestosterone, testosterone and HCG are described in Schedule 1 of the IAAF's Procedural Guidelines, which appears in the USATF Governance Manual.

****The administration of certain beta agonists is permitted with the prior written authorization of USATF and/or the IAAF.

*****Permitted only to treat insulin-dependent diabetes, with written notification by an endocrinologist. (For exemption procedure, see Chapter 5 of the IAAF's Procedural Guidelines.)

This list is not exhaustive. Other substances may be banned by the International Olympic Committee (IOC) and the United States Olympic Committee (USOC). Some other substances not listed here may be considered to be banned because they are related to specifically banned substances. Athletes are urged to call the U.S. Anti-Doping Agency (USADA) Drug Reference Line at 1-800-233-0393 before taking any medication and/or food supplement. The *IAAF Handbook and Procedural Guidelines for Doping Control* are available at www.iaaf.org. Other useful sites are: www.wada-ama.org and www.usanti-doping.org.

4. Prohibited techniques include the exogenous use of epitestosterone to alter the ratio of testosterone to epitestosterone, blood doping, gene doping, and the use of substances (e.g., diuretics, probenecid, and related compounds) and methods (e.g., catheterization, urine substitution and/or tampering) that alter the integrity and validity of urine samples collected during doping control.
5. Individuals who have committed doping offenses may be declared ineligible and may lose medals won and records set subsequent to the offense. If the offense is based on in-competition testing, prizes or appearance money earned at that competition and subsequent competitions are subject to forfeiture.
6. USATF participates in out-of-competition and in-competition doping control programs conducted by various drug testing authorities. One program is con-

ducted by the United States Anti-Doping Agency (USADA) on behalf of the United States Olympic Committee (USOC). Another is conducted by IDTM on behalf of the International Association of Athletics Federations (IAAF). On occasion, USADA conducts testing on behalf of the IAAF. The IAAF has also contracted with the World Anti-Doping Agency (WADA) to conduct testing of track and field athletes on its behalf. Therefore, a USATF athlete may be drug tested by USADA, IDTM, or WADA. The relevant protocols are set forth in the 2008 USATF Governance Handbook.

ARTICLE III OFFICIALS

RULE 110 MEET PERSONNEL

1. Officials necessary at athletics events: There shall be as many officials at a meet as are necessary for its orderly and efficient operation, and compliance with these rules.
2. Officials assigned as competition officials should be those certified by the National Officials Committee of USATF. See USATF Bylaws Article 17-H.
NOTE: *The training and certifying of officials for athletics is supervised by the National Officials Committee and by the Officials Committee of each Association of USATF. Information may be obtained by contacting the Association Officials Chair or writing to:
Jim Flanik, 7300-D Forest Cove Lane, Northfield Center, OH 44067.*
3. The Games Committee shall appoint all Competition Officials, except for National Championships, Olympic Trials and other events covered by Regulation 4-H.
4. The following personnel are recommended as a minimum, including Chief Judges where applicable, for the conduct of track and field meets:

Event Management Personnel

Meet Director

Games Committee

Competition Director

Assistant Competition Directors, as needed

Management Officials	Minimum Indoor	Minimum Outdoor
Technical Manager	1	1
Jury of Appeal	3	3
Referee - Track	1	1
Referee - Start	1	1
Referee - Field	1	1
Referee - Combined	1	1
Referee - Outside Stadium	-	1
National Technical Officials	1	3
Photo Finish Operator	1	1
Competition Secretary	1	1
Chief Starter	1	1
Event Presentation Manager	1	1

Competition Officials	Minimum Indoor	Minimum Outdoor
Clerks of Course	4	6
*Finish Line Judges	9	12
Finish Line Coordinator	1	1
Field Judges		
Pole Vault, High Jump	4	4
Long Jump, Triple Jump	4	4
Shot Put, Weight	6	6
Discus, Javelin, Hammer	-	6
Electronic Measurement Judge	1	1
Umpires	8	12
*Timers	12	12
Photo Finish Judges	2	2
Starter	1	1
Recall Starter	1	2
Lap Scorers	2	2
Marshals	4	5
Wind Gauge Operator	-	2
Inspector of Implements	1	2
Walk Judges	5	5
Race Walking Officials	2	2
Recorder of Records	1	1

*Where adequate automatic photofinish devices are available, this number should be reduced substantially.

Support Personnel (as needed)

Announcer	Doctor
Surveyor	Performance Board Operators
Press Steward	Awards Custodian

5. The following officials and support personnel are recommended for the conduct of cross country and road events:

Referee	Course Umpires
Starter	Course Recorders
Clerk of Course	Chute Umpires
Chief Finish Judge	Chute Controller
Finish Judges	Competition Secretaries
Judges' Recorder	Marshals
Timers	Doctors
Timers' Recorder	Press Steward
Jury of Appeal	Lap Counters

6. Referees, National Technical Officials, and Chief Judges should wear a distinctive armband or badge.

7. It is recommended that there be 6 to 9 Race Walking Judges, plus a sufficient number of Race Walking Officials.
8. Where feasible, no official should act in a dual capacity. A coach should not serve as an official or Referee for any single event(s) in which an athlete whom he/she coaches competes.
9. No track team or club team manager or coach should act as an official at a Championship, international selection competition, or international meet held under IAAF Rule 1.1(a) through (d) for any single event(s) in which an athlete whom he/she coaches competes.

**RULE 111
GAMES COMMITTEE**

1. In Championship meets, the Games Committee shall be appointed by the sport committee or committees of USATF.
2. In non-championship meets, this Committee may be appointed by the entity holding the meet.
3. This Committee shall be responsible for the correct conduct of the meet. They shall provide a place properly laid out and measured to conform to all the requirements of these rules, the appropriate sections of the IAAF Track and Field Facilities Manual and, shall also furnish all implements and equipment necessary for the satisfactory competition of the events scheduled in the official program, and shall have jurisdiction of all matters not assigned by these rules to the Referee or other officials. They may delegate operational responsibility for some or all of these areas to a Competition Director.
4. In non-championship meets, a meet director or meet manager, or both, may exclusively, or with the entity holding the meet, carry out any of the above-described functions.
5. The Competition Director, or an Assistant, shall check that all officials have reported for duty, appoint substitutes when necessary, and shall have authority to remove from duty any official for cause. In cooperation with the appointed Marshall, he/she shall arrange that only authorized persons are allowed in the competition area.

**RULE 115
NATIONAL TECHNICAL OFFICIALS**

1. At the discretion of the Games Committee, National Technical Officials

(NTOs) serve as assistants to the Referee to provide event oversight at major Championships.

2. The NTOs shall appoint one Chief among those already appointed for the competition if one was not previously appointed.
3. Whenever possible, the Chief NTO shall assign an NTO for every individual event, and the combined events, in the competition. The NTO shall provide all necessary support to the respective Referee of the event.
4. The NTO must be present at all times when an event, to which he/she has been assigned, is in progress and should ensure that the conduct of the competition is in full conformity with these Rules and the relevant decisions made by the Games Committee.
5. If a problem arises, or if they observe any matter, which in their opinion requires comment, they should, in the first instance, bring it to the attention of the Chief Judge of the event and if necessary, offer advice as to what should be done. If the advice is not accepted and there is a clear infringement of these Rules or decisions made by the Games Committee, the NTO shall bring it to the attention of the appropriate Referee for immediate resolution.
6. At the conclusion of field events the NTO shall also sign the results sheets.

RULE 118 PHOTO FINISH OPERATOR

The Photo Finish Operators have the responsibility for assembling, positioning, connecting, and properly operating all components used in the capture of images used by the Photo Finish Judges. At the beginning of each session, the Chief Photo Finish Operator shall provide the technical expertise to the Chief Photo Finish Judge to ensure that the official and backup fully automatic timing equipment (i) is started automatically by the Starter's pistol/starting device and (ii) is correctly aligned with the finish line.

RULE 119 JURY OF APPEAL

1. A Jury of Appeal composed of 3 or 5 persons, preferably certified officials, may be established by the Games Committees to consider appeals from decisions of the Referee as to matters that developed during the conduct of the event.
2. One of its members shall be the Chair. If and when it is considered appropriate, a Secretary, who may be a non-member of the Jury, may be appointed. One or more alternates should also be named. Referees shall not serve as members of the Jury of Appeal. In no case shall any management personnel or competition

official serve on a Jury of Appeal in considering any appeal where such person has previously performed an official function in respect of the matter being appealed.

3. For National, Regional, and Association Long Distance Running and Cross Country Championship events and events sanctioned under Regulation 14-A or 14-B-1, a Jury of Appeal shall be appointed. For all non-championship long distance running and cross country events, a Jury of Appeal should be appointed, where feasible.
4. The Jury of Appeal shall consult with all relevant persons. If the Jury of Appeal is in doubt, other available evidence may be considered. If such evidence, including any available video evidence, is not conclusive, the decision of the Referee shall be upheld. The decision of the Jury of Appeal shall be final. There shall be no further right to appeal. The Jury of Appeal may, however, reconsider decisions if new conclusive evidence is presented. In Youth Athletics meets, only video designated as official by the Games Committee before the competition may be used.

NOTE: *For appeal procedures, see Rule 146.7.*

RULE 123 TECHNICAL MANAGER

The Technical Manager shall be responsible for ensuring that the track, runways, circles, arcs, sectors, and landing areas for field events and all equipment are in accordance with the Rules, and shall certify such to the appropriate Referee prior to the commencement of the competition. This will include the verification of the calibration of electronic measuring equipment.

RULE 124 EVENT PRESENTATION MANAGER

1. The Event Presentation Manager shall plan, in conjunction with the Competition Director, the event presentation arrangements for a competition in cooperation with the Games Committee as and where applicable.
2. The Event Presentation Manager shall ensure that the plan is accomplished, resolving any relevant problems together with the Competition Director and the relevant members of the Games Committee.
3. The Event Presentation Manager shall direct the interaction between the members of the event presentation team (announcers, awards, broadcast), using a communication system to be in contact with each of them.

RULE 125 REFEREE

1. A separate Referee may be appointed for track events, for the start of track

events, for field events, for Combined Events, and for running and Race Walking events outside the stadium. The Referee for track events and for events outside the stadium shall have no jurisdiction over matters within the responsibilities of the Chief Judge of Race Walking events. See Rules 230 and 232.

2. The Referee shall ensure that the rules and applicable USATF competition regulations are observed and shall decide upon any matters which arise during the meet, including any matter arising at competitor check-in, and for which provision has not been made in these rules or any applicable competition regulation. The Referee for track events and for events outside the stadium shall have jurisdiction to decide placings in a race only when the Chief Finish Judge is unable to arrive at a decision. The Referee shall not act in a dual capacity.
3. When appointed, the Start Referee has the authority to make a final decision on any facts related to the start of a race where there is disagreement with a decision of the Starter. This authority is not granted in cases when the start involves a false start detected by a false start detection apparatus, unless, for any reason, the Referee determines that the information provided by the apparatus is obviously inaccurate or not fully considered.
4. The decision of the Referee in all matters shall be final and without further right to appeal except in those meets or events for which a Jury of Appeal has been established for that special purpose.
5. To arrive at a fair decision, the Referee may consider any available evidence which the Referee thinks necessary, including a film or picture produced by an official videotape recorder, or any available video evidence.
NOTE: *For Youth Athletics exception see Rule 119.4.*
6. The appropriate Referee shall check all final results, shall deal with any disputed points and where there is no Measurement Judge (electronics), shall supervise the measurements of record performances. At the conclusion of each event, the official competition results shall be completed immediately, verified by signature if possible by the appropriate Referee or designee, and delivered to the Competition Secretary.
7. In the event of record performances, the appropriate Referee shall certify the result and duly note such on the appropriate form.
8. A Referee shall have the authority to warn any competitor for acting in an unsporting or improper manner.
9. If, in the opinion of the appropriate Referee, circumstances arise at any meet such that justice demands that any event or any part of an event should be contested again, except as indicated in the authority of the Starter, the Referee shall

have authority to declare the event void and it shall be held again, either on the same day or on some future occasion, as the Referee shall decide.

10. The Combined Events Referee shall have jurisdiction over the conduct of the Combined Events competition. This Referee shall also have jurisdiction over the conduct of the respective individual events within the Combined Events competition. However, the track and field event Referees shall retain jurisdiction over the conduct of the respective individual events within the combined events competition if there is no Combined Events Referee.
11. The order of events stated in the official program shall not be changed, nor shall the announced arrangement of heats in any event be added to or altered, except by the Referee.
12. The Referee shall have the power to cancel or postpone to a future date any event, even though the same has actually commenced, if in the Referee's judgment the competition cannot be conducted or completed in a satisfactory manner and in fairness to the competitors and officials.
13. Should any event have actually commenced, it shall be conducted (by the competitors who reported on the first date) at a future date in the same manner as through the competition had never been started. In events where any competitors have been eliminated, the Referee shall determine whether any such athletes may compete on the postponed date and at which point or round the competition should commence.

RULE 126

JUDGES

Finish Judges

1. When an approved imaging device is properly functioning at the finish of an event, the image must be referred to the Photo Finish Judges for the primary determination of the order of finish. In the absence of such a device, the primary determination of the order of the finish shall be made by the Judges at the finish.
2. It is recommended that there be at least four Judges, and normally one more Judge than there are lanes used, at the finish, one of whom shall be designated as Chief Finish Judge, who shall decide the order in which the competitors finish and who shall assign the other finish Judges to their respective duties. The Chief Finish Judge shall only observe the finishes and his/her decision shall be given only in the case of a tie vote on the part of the other Judges. In case of a disagreement, the majority of the Judges concerned with the disputed place(s) shall decide, and if there is a tie vote on the part of such Judges, the Chief Finish Judge shall decide.

3. When possible, Judges shall be placed on the same side of the track, at least 5m back from and in line with the finish, on an elevated platform.

Field Judges

4. A Head Field Judge shall be appointed, if there is no Field Event Referee.
5. The Chief Field Judge of each event shall perform the appropriate facility verification and certification if for any reason such certification is not given by the Technical Manager. The Chief Field Judge shall allocate the duties of each Judge in the event, and coordinate the work of the Judges.
6. The Chief Field Judge in each field event should not have or assume any duties that will prevent or interfere with the ability to determine the validity of any performance by any competitor.
7. The Field Judges shall judge and record each trial, and measure each valid trial of each competitor in all field events. In the High Jump and Pole Vault precise measurement should be made when the bar is raised. When it is practical, two Judges should keep a record of all trials, checking their recordings at the end of each round. In the case of a record, the measurement shall be read by three Field Judges, including the Chief Field Judge of that event. See Rule 148.2(a) and 181.2.
8. The appropriate Field Judge(s) shall, at the completion of a trial, indicate a valid performance by raising a white flag and shall indicate a foul or non-valid performance by raising a red flag. See Rule 180.9.

RULE 127 UMPIRES

1. The Chief Umpire, who is directly responsible to the Referee, shall generally supervise Umpires. The Chief Umpire shall:
 - (a) brief and review with Umpires the appropriate rules of competition and any special regulations established for the competition by the Games Committee or the Referee;
 - (b) place Umpires at locations where they may best perform their duties;
 - (c) secure from Umpires complete details, orally and in writing, of any alleged violations and immediately submit the report of the alleged violation to the Referee; and
 - (d) check the number, condition, and height of the hurdles and the placement and distance between hurdles in the event no Hurdle Inspector or other official has been appointed to do so.

2. Umpires are assistants to the Referee, to whom the Chief Umpire shall report, and have no authority to make final decisions.
3. Umpires, among other things, should be assigned to oversee the conduct of hurdle races and the passing of batons at the exchange zones in relay events.
4. It shall be the duty of any Umpire to:
 - (a) stand at such point as the Referee or Chief Umpire may designate;
 - (b) watch the competition closely and, in case of a foul or violation of the rules by a competitor or other person, communicate such breach by either raising a yellow flag or using other reliable means approved by the Games Committee; and
 - (c) report, orally and in writing, to the Chief Umpire what he/she saw of the incident.
5. When an Umpire observes that a competitor has run in a lane other than the assigned lane or that a relay baton has been passed outside the takeover zone, it is recommended that the umpire mark the track with a suitable non-permanent material where the athlete ran outside the lane or where the baton was passed.
6. In walking events, the assigned Umpires shall perform their duties as in any other event, but shall not be responsible for technique rules, which are the responsibility of the Judges of Race Walking.

RULE 128
TIMERS

1. When an approved imaging device is properly functioning at the finish of an event, the image must be referred to the Photo Finish Judges for the primary determination of the finish times for each competitor. Timers shall act in a back-up capacity when fully Automatic Photo Finish equipment is in use. In the absence, or failure, of such a device, the primary determination of the finish times shall be made by the Timers at the finish in accordance with Rule 165.
2. A certified official shall be designated as Chief Timer.
3. The Chief Timer, among other things, shall:
 - (a) determine that all running and walking events are hand timed in accordance with these rules;
 - (b) assign to Timers their assignments;

- (c) supervise the recording of all hand times taken;
 - (d) make note of the records for the events to be timed, so an immediate check can be made in the event of record performances;
 - (e) in the event of a record performance, inspect the watches of the Timers involved and in the case of not fully-automatic timing, certify on the official record application form the times recorded by such Timers, who shall also sign the record application form; and
 - (f) when feasible, examine all watches prior to competition to determine their accuracy.
4. There shall be three Official Timers and one or two Alternate Timers, who shall time the winner of each event. The time recorded by the Alternate Timers shall not be considered unless one or more of the Official Timers' watches fails to properly record the time, in which event the Alternate Timers shall be called upon in such order as has been previously determined so that, if possible, in all races three watches shall have recorded the official winning time. Times for all finishers shall be recorded.
- NOTE:** *It is recommended that there be four more Timers than there are places being recorded (Chief Timer, two additional first place Timers and one alternate).*
5. When it is feasible to do so, intermediate or lap times should be recorded in races of 800 meters and over and at every 1000m in races of 3000 meters and over. Split times should be given to all competitors in events longer than 400 meters either by use of a visible time clock, orally, or both. For races partially or entirely off the track, split times should be given to the competitors either by a visible time clock, orally, or both at appropriate locations on the course.
6. When a fully automatic timing device is used, the Photo Finish Judges shall determine the places of the runners or walkers and the times as recorded by the device. At the beginning of each session, the Chief Photo Finish Judge, in cooperation with the Chief Photo Finish Operator, the Starter and the Referee, shall initiate and supervise tests to ensure that the fully automatic timing equipment complies with the alignment, automation and zero control function specified in Rule 165.10(a).
7. The Chief Photo Finish Judge shall determine the places of the athletes and their respective times. He shall then record and certify them, or ensure that they are correctly entered into the competition results system for forwarding to the Competition Secretary and/or such other officials designated by the Games Committee or Meet Director. Results shall subsequently be certified as official by the Referee or the Referee's designee. The determinations of the Photo Finish Judges may be appealed to the Referee for a final determination.

8. In the event of record performances, the Referee should certify the times and duly note them on the records of the Photo Finish Judges. In the event of a record performance, the Chief Photo Finish Judge shall certify on the official record application form the time recorded for such record, and also sign the record application form. If a record is timed by a videotape based system or a computer based system, a printed picture shall be made where required.

RULE 129 STARTER AND RECALL STARTER

1. The Chief Starter shall:
 - (a) allocate the duties of the start team judges, assigning the task of giving the start to the member of the team who, in the opinion of the Chief Starter, is best for the event.
 - (b) supervise the duties to be performed by members of the team.
 - (c) inform the Starter, after receiving the relevant order from the Competition Director or otherwise ascertaining, that everything is in order to initiate the start procedure (*i.e.* the applicable Timers, Judges, Photo Finish Operators and Wind Gauge Operator are ready).
 - (d) act as an interlocutor between the technical staff of the timing equipment company and the judges.
 - (e) keep all papers produced during the start procedure including all documents showing the reaction times and/or false start waveform images if available, and deliver these to the Competition Secretary.
2. The Starter shall have entire control of the competitors at their marks and shall be the sole judge, except as herein otherwise provided, of whether or not any competitor has committed a false start. See Rule 162 for method of starting.
3. One or more Recall Starters shall be provided when possible to assist the Starter. The Chief Starter shall assign a specific task and position to each Recall Starter, who is obliged to recall the race if any fault is observed. They shall have the authority to recall the competitors, by appropriate means, in any race in which, in his/her opinion or that of the Starter, the start was not fair. If Recall Starters are assigned to observe one or more competitors, they shall place themselves so that each competitor can be clearly seen. After a recalled or aborted start the Recall Starter shall report his observations to the Starter who shall decide whether and to whom a warning or disqualification shall be issued.

NOTE: *For events conducted with a staggered start, it is recommended that there be at least two Recall Starters.*

4. Notification of warnings and disqualifications concerning the start may be made only by or under the direction of the Starter.
5. To assist the Starter in races using crouch starts, a false start detection apparatus may be used. When such an apparatus is used, the Starter, or an assigned Recall Starter, shall wear headphones in order to hear clearly acoustic signals that are emitted to indicate the orderly operation of the apparatus and to indicate a false start.
6. The Starters shall be clearly identifiable and shall be positioned so that there is full visual control over all runners during the start of the race.

RULE 131 LAP SCORERS

1. Lap Scorers shall keep a record of the laps covered by each competitor in races longer than one mile. For races of 3 miles and over (3000 meters and over in indoor races), Lap Scorers shall also record on their lap scoring cards the times over each lap (as given them by an Official Timer) of the competitors for whom they are responsible. No Lap Scorer shall be responsible for more than four competitors (six in the case of walking events and ultramarathons).
2. At the completion of each race, lap scoring cards shall be delivered to the Referee.
3. One lap scorer shall be responsible for maintaining at the finish line a display of the laps remaining. The display shall be changed each lap when the leader enters the straight that ends at the finish line. In addition, manual indications shall be given, when appropriate, to competitors who have been, or are about to be, lapped. The final lap shall be signaled to each competitor, usually by ringing a bell.
4. Transponder systems complying with Rule 165.16 may be used for lap scoring.

RULE 132 COMPETITION SECRETARY

1. The Competition Secretary shall have the responsibility of preparing all entrant and start lists referred to in Rule 10 and Rule 11, or otherwise as appropriate, and worksheets for use by other officials. The Competition Secretary shall work closely with the Clerk of Course and the Referee in the reforming of heats and the preparation of start lists for subsequent rounds of competition. The Competition Secretary shall cause all start lists, including any amendments to start lists, to be distributed appropriately to other officials.

2. The Competition Secretary shall collect the results of each event, together with times, photo finish pictures, heights or distances furnished by the Judges and Timers or other officials, and the wind gauge information provided by the Wind Gauge Operator. As soon as possible thereafter, he/she shall communicate such information to the Announcer, Press Steward, or other appropriate officials and, after recording the places, times, heights, distances, and wind gauge readings, he/she shall turn in the official results, together with all official cards and photo finish pictures, to the Meet Director.
3. The Competition Secretary shall oversee the scoring of team competition, combined events and handicap races.

**RULE 133
MARSHAL**

The Marshal shall have full charge of the enclosure or course and shall prevent anyone but officials and actual competitors from entering or remaining therein. The Marshal shall control the Marshal's assistants and assign to them their respective duties.

**RULE 134
ANNOUNCER**

In conjunction with the Event Presentation Manager and under the general direction of the Games Committee, the Announcer shall announce to the public the names and numbers of the competitors taking part in each event and all relevant information such as the composition of the heats or lanes drawn and intermediate times. The results (placings, times, heights, and distances) of each event should be announced at the earliest practical moment after the Announcer receives the information. The Announcer or an assistant shall keep a log that records the time of day of all results announcements and shall make this log available to the Referee, the Jury of Appeal and the Competition Secretary on request.

**RULE 135
SURVEYOR**

The Surveyor shall, immediately prior to the meet, survey the track and runways, and measure all distances that are to be contested, and also the circles, arcs, sectors, and other measurements relating to the field events. The Surveyor shall also measure the levelness of the track and of all runways and landing areas and shall furnish a written statement of such to the Games Committee or the Referee before the meet.

RULE 136
WIND GAUGE OPERATOR

The Wind Gauge Operator, except as provided in Rule 163.14, shall maintain the wind gauge, and take and record in writing, on the forms provided for that purpose by the Competition Secretary, the wind velocity in the direction of running for all running events (including hurdles events) up to and including the 200 Meters and the Long Jump and Triple Jump. The Wind Gauge Operator shall report each wind gauge measurement to the appropriate recorder for each event and shall provide a compilation of all measurements to the Competition Secretary.

RULE 137
ELECTRONIC MEASUREMENT JUDGE

1. An Electronic Measurement Judge shall be appointed when electronic distance measurement is to be used.
2. Before the meet, this Judge shall meet with the technical staff and the operators of electronic distance measuring and data recording devices to become familiar with the specific equipment and the personnel.
3. Before each event where the device is used, the Judge shall supervise the positioning of the measuring instruments, taking account of the technical requirements given by the technical staff and the needs of the event chief.
4. To ensure that the equipment is operating correctly, the Judge shall, before and after each event, supervise or conduct a set of measurements in conjunction with the equipment operator and the Field Event Referee to confirm agreement with results achieved using a certified steel tape and shall report and certify the accuracy of the instrument to the Field Event Referee, particularly in the event of a record.
5. During the competition the Judge shall remain in overall charge of the operators and equipment operation so that the Judge can report to the Field Events Referee that the equipment is accurate and operating properly during the competition.

RULE 138
CLERK OF COURSE

1. The Clerk of Course shall control the Assistant Clerks of Course and assign them to such duties as deemed proper.
2. The Clerk of Course shall be provided with the names and the numbers of all competitors entered in running or walking events, and he/she shall notify them

to appear at the starting line or other assembly area before the start in each event in which they are entered.

3. The Clerk of Course shall supervise the transit between the warm-up area and the competition area to ensure that the competitors after being checked-in are present and ready for the scheduled start of their event.
4. The Clerk of Course, and Assistants, shall ensure that competitors are wearing clothing, shoes, and spikes which are in accordance with USATF Rules. The Clerk shall verify that number bibs correspond to those on the start list and are worn correctly. The Clerk shall also be responsible for distribution and proper placement of additional identification items used to aid in announcing and judging.
5. In handicap events from marks, the Clerk of Course shall place each competitor behind the proper mark and shall immediately notify the Starter should any competitor attempt to advance after the Starter has given the final oral command to the field.
6. In time allowance handicap events, competitors shall be assigned their positions by the Clerk of Course, who shall also furnish the Starter with the number and time allowance of each competitor.

RULE 139 ADDITIONAL OFFICIALS

1. **Finish Line Coordinator:** The Finish Line Coordinator shall be responsible for alerting all finish line officials that a track event is about to begin and to ensure that these officials are ready to perform their assigned duties prior to the start of that event. When this is accomplished, the Finish Line Coordinator shall inform the Starter of this condition. It is also the duty of the Finish Line Coordinator to ensure that the finish line area is free of all unauthorized personnel during the start, the progress, and the finish of a track event. A Finish Line Coordinator may be assigned to assist the Chief Finish Line Judge and/or Chief Timer in recording times and places.
2. **Inspector of Implements:** The Inspector of Implements shall weigh and measure implements used in competition, and shall place a designating mark on each implement passed as complying with all relevant specifications. He/she shall impound the non-complying ones for the duration of the competition. In an event that includes a qualifying round, he/she shall impound all implements that will be available for the final competition between the qualifying round and the competition proper. Under special circumstances (*e.g.*, implements are damaged), the Referee may authorize the Inspector of Implements to certify additional implements between the qualifying round and the competition proper.

3. **Recorder of Records:** For all athletic meets there shall be included in the list of officials a Recorder of Records. He/she shall see that records are properly applied for. He/she shall have at the site of the competition an adequate supply of record forms. He/she should have no other duties.

4. **Combined Events Coordinator:** A Combined Events Coordinator may be assigned for the Combined Events. He/she shall be present at all times to assist in the conduct of the event and shall report to the assigned Referee.

**ARTICLE IV
RULES OF COMPETITION**

**SECTION I
GENERAL**

**RULE 142
COMPETITOR CHECK-IN**

1. All runners and walkers shall report to the Clerk of Course immediately upon their arrival at the place of meeting and no later than the check-in time designated in the entry blank or the meet information distributed by the Games Committee. All field event competitors shall report to the Chief Field Judge of their respective events at the designated time unless instructed to report to the Clerk of Course in the entry form or meet information distributed by the Games Committee.
2. Each competitor shall inform himself/ herself of the time of starting, and shall be promptly at the starting point of each competition in which he or she is entered, and there report to the Clerk of Course.
3. In Championships and programs, other than the Olympic Team Selection competition, conducted pursuant to the Rules of Competition of USATF, any athlete declared to compete must honestly participate in each round (trial, heat, or final, etc.) of each track event for which the athlete is declared or the athlete will be barred from further competition in that meet. This rule shall not apply to events in which only a final is held, but an athlete may be barred from such an event if previously he or she has not honestly participated in a track event within the purview of this rule.

NOTE: *For Youth Athletics exception, see Rule 302.2(g).*

4. The Referee has the discretion to waive the honest participation rule in the event an athlete provides a medical certificate, endorsed by a medical officer appointed or approved by USATF or the Games Committee, attesting to the fact that the athlete became unable to compete after being declared, or after competing in a previous round, but will be able to compete in further events on a subsequent day of the competition. Other justifiable reasons, such as factors independent of the athlete's own actions, may, after confirmation, also be accepted by the Referee.

**RULE 143
ATHLETIC ATTIRE**

1. In all events competitors must wear clothing that is clean, designed, and worn so as not to be objectionable. The clothing must be made of a material that is not transparent even if wet. The competitors must not wear clothing that could

impede the view of the judges. Athletes' vests should have the same color on the front and back. This rule shall be enforced by the Clerk of Course for track and road events and the Chief Judge of each field event.

2. In hot weather, an athlete competing in a long distance road run may compete without a top shirt. This ruling will be made by the Referee with the approval of the Games Committee.
3. (a) A competitor may compete in bare feet or with footwear on one or both feet. The purpose of shoes for competition is to give protection and stability to the feet and a firm grip of the ground. Such shoes, however, must not be constructed so as to give the competitor any unfair additional assistance, including the incorporation of any technology which will give the wearer any unfair advantage, such as a spring or similar device. A shoe strap over the instep is permissible.

NOTE: *Orthotic inserts required for medical purposes are exempt from this rule.*

- (b) The sole and the heel of the shoes shall be so constructed as to provide for the use of up to 11 spikes. Any number of spikes up to 11 may be used, but the number of spike positions shall not exceed 11.

NOTE: *For Youth Athletics exception, see Rule 302.5(g).*

- (c) When a competition is conducted on a synthetic surface, that part of each spike which projects from the sole or heel, must not exceed 9mm, except in the High Jump and Javelin Throw, where it must not exceed 12mm. Competitors shall also comply with any instruction from organizers as to length of spikes. For non-synthetic surfaces, the maximum length of spike shall be 25mm. Each spike must be constructed so that it will, at least for the half of its length closest to the tip, fit through a square sided 4mm gauge.
- (d) The sole and/or the heel may have grooves, ridges, indentations or protuberances provided these features are constructed of the same or similar material to the basic sole itself.
- (e) In the High Jump and Long Jump, the sole shall have a maximum thickness of 13mm. In the High Jump, the heel shall have a maximum thickness of 19mm. In all other events, shoes may be of any thickness.
- (f) Athletes may not use appliances, either inside or outside the shoe, which will have the effect of increasing the thickness of the sole above the permitted maximum, or which can give the wearer any advantage which would not be obtained from the type of shoe described in the previous paragraphs. The thickness of the sole shall be measured as the distance between the inside top side and the outside under side, including the above-mentioned features and any kind or form of loose inner sole.

4. Every competitor must be provided with number bibs, which must be conspicuously worn when competing. The number bibs are to be worn as issued (cutting or folding numbers is not permitted). No athlete shall be permitted to participate in any competition without the appropriate number bib or bibs. The identifying information on the number bib need not be numeric.
5. If one number bib is provided, it must be worn visibly on the front. When two number bibs are provided, they must be worn on the singlet, front and back. If, pursuant to Rule 143.2, a singlet is not worn, the number bibs should be worn on the shorts, front and back. The competitors may also be required to wear start list identifying numbers on the hips and in other locations determined by the Games Committee.
NOTE: *For Masters Exception see Rule 341.6.*
6. In the Pole Vault and High Jump, the competitors may wear the number bib on the back or front only.
7. In cross country, long distance runs, and race walks, the competitors must wear a number bib on the front and should also wear a number bib on the back. The front number bib must be visible at all check points and at the finish line.
8. Where athletes compete in warm-up suits, the number bibs must be worn on that suit as set forth herein.
9. Once a number has been assigned to a competitor, no other competitor may use it.
10. The overall size of the number bib shall not exceed 16.5cm x 19cm. The numerals on the number should be at least 10cm in height. The sponsor's name shall not exceed 2.5cm x 15cm.
NOTE: *Road races, except for the size of the name of the sponsor, may vary the overall size of the number bib and height of the numeral.*

RULE 144

ASSISTANCE TO ATHLETES

1. Competition under these Rules consists of self-propelled motion without assistance, except as defined by the Rules of Competition of a specific event discipline.
NOTE: *For rules covering disabled-only competitions see the SPECIAL SECTION beginning on page 213.*
2. Except as provided in road races (Rule 241) and in long distance walking events (Rule 232), during the progress of an event a competitor who has received any assistance whatsoever from any other person may be disqualified by the Referee.

“Assistance” is the conveying of advice, information or direct help to an athlete by any means, including a technical device.

NOTE 1: *Pacesetting by a person entered in an event for that purpose is permitted, provided such pacesetters start in the event.*

NOTE 2: *Competitors may carry or wear articles of personal equipment such as wrist chronometers and heart rate monitors.*

3. The following shall not be considered assistance:

- (a) Verbal or other communication, without the use of any technical device, from an individual who is not in the competition area to an athlete who is in the competition area. In order to facilitate this communication and not to disturb the staging of the competition, it is recommended that a place in the stands, close to the immediate site of each field event, be reserved for the athletes' coaches.
- (b) Physiotherapy and/or medical treatment necessary to enable an athlete to participate, or continue participation once in the competition area, may be provided by members of the official medical staff appointed by the Games Committee and clearly identified as such. Accredited team medical personnel approved by the Meet Doctor specifically for this purpose may be permitted in the medical treatment area outside the competition area. In neither case shall the intervention delay the conduct of the competition or a competitor's trial in the designated order.
- (c) Medical personnel authorized by the Games Committee or Referee to do so may perform a hands-on medical examination during the progress of an event for any athlete who appears in distress. If in their opinion it is in the best interest of the athlete's health and welfare, they may remove the athlete from the competition.
- (d) Participation of an officially designated pacesetter in the race.

The following shall be considered assistance and therefore not allowed:

- (e) Pacing in running or walking events by persons not participating in the event, by competitors lapped or about to be lapped, or by any kind of technical device.
- (f) The visible possession or use by athletes of video or audio cassette recorders or players, TV's, CD or DVD players, radio transmitters or receivers, mobile phones, computers, or any similar devices in the competition area
- (g) Use of any technical device that incorporates springs, wheels or any other

element that provides the user with an advantage over another athlete not using such a device.

(h) Use of any appliance that has the effect of increasing the dimension of a piece of equipment beyond the permitted maximum in the Rules or that provides the user with an advantage which would not have been obtainable using the equipment specified in the Rules.

4. In a track event, any competitor competing to lose or to coach another competitor shall forfeit the right to be in the competition and shall be disqualified.
5. In a field event, an athlete may not leave the immediate area of the event and engage in dialogue with persons outside the area.
NOTE: *Athletes competing in an event on the infield may not, during the competition, cross to the outside of the track.*
6. Any athlete giving or receiving assistance during any event other than as specified in 144.3(a) must be cautioned by the Referee and warned that for any repetition, he or she will be disqualified from that event. If such disqualification occurs, any performance accomplished up to that time in the same event session shall not be considered valid. Performances accomplished in any previous event session, such as a qualifying round, shall stand.
NOTE 1: *For Youth Athletics exception, see Rule 302.5(k).*
NOTE 2: *Information conveyed to an athlete by an official is not considered assistance provided such information is made available to all athletes.*
7. Intermediate times and preliminary winning times may be officially announced and/or displayed. Otherwise such times must not be communicated to the athletes by persons in the competition area without the prior approval of the Referee.
8. No attendant or competitor who is not actually taking part in the competition shall accompany any competitor on the mark or in the competition, nor shall any competitor be allowed, without the permission of the Referee or Judges, to receive assistance or refreshment from anyone during the progress of the competition, except as provided by Rules 144.9, 144.10, 144.11, 232, or 241.
9. Medical personnel authorized by the Games Committee or Referee to do so may examine any athlete who appears in distress. If in their opinion it is in the best interest of the athlete's health and welfare, they may remove the athlete from the competition. A hands-on medical examination during the progress of an event by officially designated medical personnel shall not be considered assistance.
10. Physiotherapy and/or medical treatment necessary to enable an athlete to participate, or continue participation once in the competition area, may be provided.

ed by members of the official medical staff appointed by the Games Committee and clearly identified as such. Accredited team medical personnel approved by the Meet Doctor specifically for the above purpose may be permitted in the medical treatment area outside the competition area. In neither case shall the intervention delay the conduct of the competition or a competitor's trial in the designated order.

11. During hot weather the meet organizers may furnish competitors with water and sponging stations in races of 5000 Meters and longer on the track and in off-track events. See Rules 232 and 241.

RULE 145 DISQUALIFICATION

1. If an athlete is disqualified in an event because of an infringement of the USATF Competition Rules, reference to the USATF Rule infringed shall be made in the official results. Any performance accomplished up to that time in the same session of the event shall not be considered valid. Performances accomplished in any previous event session, such as a qualifying round, or previous events of a combined event, shall stand. This disqualification shall not prevent an athlete from participating in any future event.
2. Any competitor who shall refuse to obey the directions of the Referee or other proper official, or who shall conduct himself/herself in an unsportsmanlike manner, or who is offensive by action or language to the officials, spectators, or competitors at any competition may be disqualified by the Referee from future competition at the meet. If such disqualification occurs, any performance accomplished up to that time in the same event session shall not be considered valid. Performances accomplished in any previous event session, such as a qualifying round or previous events of a combined event, shall stand. If the Referee thinks the offense worthy of additional action, he/she shall promptly make detailed statement of the offense to the appropriate National or Association Officer.
3. If an athlete is cited for a second (or subsequent) time under Rule 125.8 for acting in an unsporting or improper manner, in different rounds of one event, or in different events, the athlete shall be disqualified from such second (or subsequent) events in accordance with this Rule.

RULE 146 PROTESTS

1. Protests concerning the team status or eligibility of an entered competitor must be made to the Chair of the Games Committee prior to the commencement of the meet, or to the Referee during the meet.

2. Protests relating to matters which developed during the conduct of the competition must be made to the Referee at once and not later than 30 minutes after a result has been announced, except in the case of long distance races, where the time period shall be 24 hours, and cross country races where the time period shall be one hour. However, in the case of events in which final results are not announced on the day of competition, the Games Committee may determine, and announce in the results that are released, a period not to exceed seven (7) days during which protests may be made to the meet or race director.
3. Protests, at the discretion of the Games Committee or the Referee, may be made orally or in writing. For National Championships, they must be made in writing.
4. In races where a false start control apparatus is used, if an immediate oral protest is made regarding a decision by the Starter to charge a false start, the Referee may allow an athlete to compete under protest in order to protect the rights of all concerned and provide the time required to determine if the information provided by the apparatus is obviously inaccurate.
5. Where a false start control apparatus is used, a protest may be based on the failure of the Starter to recall a false start. The protest may be made only by, or on behalf of, an athlete who has completed the race. If the protest is upheld, any athlete who committed the false start, and who was subject to disqualification according to Rule 162.12, shall be disqualified. Where there is no disqualification of any athlete according to Rule 162.12, the Referee shall have the authority to declare the event void and that it shall be held again if in his or her opinion justice demands it.
6. If an immediate oral protest is made, in order to protect the rights of all concerned:
 - (a) Regarding a decision of a Field Judge that a jump or throw is foul or is invalid, the jump or throw should be measured, if possible. The measurement should be announced only if the protest is upheld.
 - (b) Regarding an attempt during the first three rounds of trials that would have advanced the athlete to the final three rounds, the Referee may allow the athlete to compete in the final three rounds. If the protest is upheld, no athlete is disenfranchised from the final three rounds.
7. If possible, the Games Committee or the Referee shall decide protests at once. If the nature of the protest or the necessity of obtaining testimony or evidence prevents an immediate decision, the competitor shall be allowed to compete under protest, and the protest shall be decided by the Games Committee with-

in one week, unless its subject be the eligibility of the competitor to compete, in which case the Games Committee must report such protest within 48 hours to the Member Services Chair in the Association where the meet is held.

8. Where a Jury of Appeal has been established to consider appeals of decisions of the Referee as to matters which developed during the conduct of the event, appeals must be made in writing immediately and within 30 minutes after the action by the Referee has been officially announced. In the case of long distance and cross country races, the time period shall be 24 hours.

RULE 147

MIXED COMPETITION

For all competitions held completely in the stadium, mixed events between male and female participants shall not normally be permitted. However, authorization for such mixed competition in field events and in races of 5000 meters or longer may be made for a competition by the Chair or designee of the appropriate sport committee. See Rule 320.8 for Masters exception

RULE 148

MEASUREMENTS AND WEIGHTS

1. All measurements, except as otherwise herein provided, must be made with a certified steel tape, fiberglass tape, bar graduated in centimeters, or a certified electronic measuring device, and all implements must be weighed on a governmentally approved scale or balance. Measurements made with fiberglass tapes shall not be acceptable for records.
2. (a) All measurements of field events must be read by the Field Judges. In the case of a record, the measurement must be read by at least three judges, including the Chief Field Judge of that event, and must be made in meters under the supervision of the Field Event Referee or the Head Field Judge (See Rule 264.2). In measuring the distances of throwing events and horizontal jumps, the part of the tape or bar recording the distance achieved must be held by the official at the circle or take-off point.
 - (b) Distances in field events:
 - i. Shall be measured in meters and shall always be recorded to the nearest 0.01m below the distance measured if the distance measured is not a whole centimeter (*i.e.*, fractions less than 0.01m must be ignored).
 - ii. For methods of measurement specific to events, see Rule 181.2, Rule 185.3, and Rule 187.7.

(c) Only legal attempts shall be measured, unless an immediate protest is made per Rule 146.5.

3. All implements used on the field of play shall be weighed on a governmentally approved scale, or a scale that has a known calibration and linearity, and measured to ensure they meet other specifications required herein. Implement certification devices shall be constructed such that the gauges are within acceptable tolerances to assure the legality of the implements for the specified competition. In the case of a record, the implement shall be impounded and remeasured prior to continued competition use to assure it meets the specifications for a record.

NOTE 1: *It is advisable to have at least one and preferably two calibration weights which are traceable to government standards in order to routinely confirm calibration and linearity from 1 kg to 8 kg.*

NOTE 2: *For measurement of tracks, see Rule 160. For measurement and certification of road courses, see USATF Operating Regulation 6.*

RULE 149 VALIDITY OF PERFORMANCE

No performance accomplished by an athlete shall be valid unless it has been made during a bona fide competition on a facility and (where relevant) using an implement which conforms to specifications set within these Rules.

RULE 159 ELECTRONIC DEVICES

Electronic devices not approved by the Games Committee shall not be used by any individual in the area of competition or designated warm-up area.

RULE 160 TRACK LANES AND MEASUREMENTS

1. In all outdoor races at distances up to and including 400 meters, wherever possible, each competitor shall have a separate lane with a width of 1.22m \pm 0.01m (4 ft.) measured as provided in paragraphs 2 and 4 hereof and properly marked by lines 5cm in width. On tracks whose width does not permit 8 lanes of that width, the minimum width of the lanes may be 91.4cm (3 ft.). Only the line on the right hand of each lane shall be included in the measurement of the width of each lane. The inside radius should be limited to between 35.00m and 38.00m unless the curve is a double bend track designed to fit a playing field on the infield. In that case the minimum bend radius is 24.00m.
2. All distances run or walked shall be determined on the basis of a hypothetical line 30cm outward from the inner edge of the track, except that for races upon straightaways, the distance shall be measured in a raised direct line from the

starting mark to the finish line. For any track without a raised border, the measurement shall be made 20cm from the outer edge of the white line marking the border of the track. For events run in lanes around a turn, all lanes except the one on the inside border shall be measured 20cm outward from the inner lane line.

NOTE: *If a track with a removable curb is used without the curb in place for races longer than 10,000 meters, it must then be regarded as an uncurbed track according to Rules 160.2 and 160.3. In this case the distance, which would normally be measured 30cm from the curb, must be recalculated to a path 20cm from the line marking the inside border. Assuming that this line lies directly under the intended curb location, this reduces the measured distance by 0.63m per lap (for example, 400m would become 399.37m). This reduced distance must then be used for all calculations of the distance run.*

3. The nominal length of an outdoor track shall preferably be 400 meters. It shall consist of two straights and two turns. The inside of the track shall be bordered by a raised curb of suitable material approximately 5cm high and 5cm wide. The curb may be raised to permit surface water to drain away, in which case the maximum height shall be 6.5cm. If a section of the curb has to be removed temporarily for field event competitors, its place shall be marked with a white line 5cm wide and by plastic cones or flags (minimum height 20cm) placed at intervals not exceeding 4m. This shall also apply for the section of the steeplechase track where runners divert from the main track to negotiate the water jump.
4. The direction of the running shall be left hand inside, except for track events longer than 100 miles or 12 hours. In such events, competitors may, at the discretion of the Race Director, be permitted to reverse direction around the track at regular intervals. Direction reversal shall be done around a fixed object (e.g., a traffic cone) and shall be done at either the official starting line or the official finish line of the event, never at any other points on the track. Direction reversal shall be done only at regular time intervals (e.g., every 3 hours), not at fixed distance intervals. During direction reversal, runners who have reversed shall yield right-of-way to the inside lane to runners who have not yet reversed until the entire field of competitors has reversed direction.
5. The maximum allowance for lateral inclination of the track shall not exceed 1:100, with the inclination to the inside lane. The downward inclination in the running direction shall not exceed 1:1000.
6. In all events, the starting line and the finish line shall be so painted or laid down upon the track so that the distance of the race shall be measured from the edge of the start line farther from the finish line to the edge of the finish line nearer to the start line.
7. In all races around turns not run in lanes, the starting line shall be curved so that wherever it occurs on the track, all runners start the same distance from the fin-

ish. The track shall be permanently marked to show the cut-in points in the 800 Meters and in relay races that start, but do not finish, in lanes.

8. (a) The 200 Meters shall be run in lanes around one turn.
 - (b) The 400 Meters shall be run in lanes around two turns.
 - (c) Whenever possible, the 800 Meters shall be run in lanes until the athletes have passed the nearer edge of the breakline at the end of the first turn. The starts shall be so staggered that the distance from the start to finish shall be the same for each competitor. Small markers, such as cones or prisms 5cm x 5cm and no more than 15cm, high preferably of a different color from the breakline and lane lines, shall be placed on the lane lines immediately before the intersection of the lane lines and the breakline.
9. The separate arced starting line referred to in Rule 162.18 shall be marked in such a way that all of the competitors shall run the same distance. Also, an arced break line shall be marked at the beginning of the following straight to indicate to the athletes of the outer group where they are permitted to join the competitors using the regular starting line.

NOTE: *Full technical information on track construction, layout and marking are contained in the IAAF's Manual on Track and Field Facilities, which is available from the IAAF at www.iaaf.org.*

RULE 161 STARTING BLOCKS

1. Starting blocks are to be used in track events, not as a material aid to the runner, but to protect the track and to expedite the carrying out of the meet. Hand supports are not allowed. Starting blocks must be made entirely of rigid materials and, while they may be adjustable, must be made without springs or other devices whereby the athlete can obtain artificial assistance or impetus. They should be so made as to easily and quickly be placed into position and removed without damage to the track. On all-weather tracks, the organizers or Games Committee may refuse to allow a competitor to use any personal starting blocks that can be shown to cause damage to the track.
2. Starting blocks must be used for all races up to and including 400 meters and the lead-off leg of relays where that leg does not exceed 400 meters. They must not be used for any other race. Where starting blocks are used, both of the runner's feet must be in contact with the starting blocks.
NOTE 1: *For Youth Athletics exception, see Rule 302.2(e).*
NOTE 2: *For Masters exception, see Rule 332.2(d).*
3. No part of the starting block may overlap the starting line or extend beyond the lane in which it is placed.

4. Starting blocks linked to an IAAF-approved false start detection apparatus may be used at any competition, but shall be used in Open Men's and Women's National Championships and USA Olympic Selection competition to assist the Starters. The apparatus shall emit an acoustic signal, audible to the Starter, or assigned Recall, whenever the reaction time of the athlete detected by the apparatus is less than 100/1000th of a second. In addition to the acoustic signal, a recall signal shall be an automated function of the false start detection apparatus when such function is available.
5. If the Starter deems it necessary, he/she may assign a block holder to any athlete. The block holder must sit on the track so that the holder does not interfere with the view of the starter or recall starter(s). The holder shall not make contact with the foot pads.

RULE 162 METHOD OF STARTING

1. The start of a race shall be indicated by a white line 5cm wide marked on the track or ground. When starting, all competitors must be behind the starting line and they must not touch the starting line or the surface in front of it with any part of the body. Starting stations in events at all distances shall be numbered from left to right, facing the direction of running.
2. Except for time handicap races, all running and walking events shall be started by the report of a pistol or approved device fired upward after the Starter has ascertained that competitors are steady and in the correct starting position.
 - (a) Where a pistol is used, it should be of not less than .32 caliber, with powder giving a distinct flash/smoke, except in indoor competition, where a .22 caliber pistol with black powder shells may be used.
 - (b) When an electronic tone is used, it shall be of suitable loudness and shall simultaneously activate a flash/strobe.

NOTE: *The starting device should be held to provide a background against which the flash/smoke is clearly discernible.*
3. Except as otherwise indicated herein, the commands of the Starter shall be "on your marks" and "set," and when all competitors are "set," the pistol/starting device shall be fired. In races longer than 400 meters, the command shall be "on your marks" and when all competitors are steady, the pistol/starting device shall be fired. The starter shall not fire the pistol/starting device while any competitor is in motion after the command "set" nor before the Starter has ascertained that each competitor is steady and in the correct starting position. When appropriate, the Starter may assemble the competitors at an actual or imaginary

line behind the starting line and have the athletes move up to the starting line on the command "on your marks." In time handicap races, the command "Go" may be used.

NOTE: *The assembly line is normally between 1m and 3m behind the starting line.*

4. Prior to each running event, the Starter or designee shall give instructions to competitors concerning the commands to be used. Before any starting commands, the Starter shall ascertain that the Timers, Judges and, when applicable, the Chief Photo Finish Judge and the Wind Gauge Operator, are ready.
5. All questions concerning the start shall be decided by the Starter.
6. When a competitor uses a crouch start, the competitor must, after the "on your marks" command, assume a position completely within the assigned lane and behind the starting line. Both hands and one knee must be in contact with the ground and both feet in contact with the starting blocks. At the "set" command, the competitor should immediately rise to a final starting position retaining the contact of the hands with the ground and of the feet with the blocks. (See Rule 162.1.) In all races up to and including the 400 Meters and lead-off relay legs not exceeding 400 meters, a crouch start and starting blocks must be used, unless prohibited by a permanent physical disability. See Rule 161.

NOTE 1: *For Youth Athletics exception, see Rule 302.2(e).*

NOTE 2: *For Masters exception, see Rule 332.2(d).*

7. No later than the command "on your marks," the Starter shall raise the hand with the pistol or flash/starting device. That hand shall remain extended above the head until the start signal has been generated. During that time, the hand without the pistol/starting device shall remain at the Starter's side.

NOTE 1: *The above may be modified to accommodate the hearing impaired.*

NOTE 2: *To facilitate hand timing, the Starter may signal the Timers just prior to the "set" command.*

8. On the command "on your marks," or "set" as the case may be, all competitors shall at once and without delay assume their full and final "set" position. Failure to comply with this command after a reasonable time shall constitute a false start. When an athlete, after the command "on your marks" or "set" as appropriate, and before the report of the pistol/starting device, signals to abort the start by an action such as raising a hand or standing from a crouched position, without a valid reason as determined by the appropriate Referee, the athlete shall be warned for improper conduct by the Referee. In this case, as well as when an extraneous reason was considered the cause for aborting the start, a green card shall be shown to all the athletes to indicate that a false start was not committed by any athlete.
9. If in the judgment of the Starter, a competitor commences the starting motion

after assuming a full and final set position, and before receiving the report of the pistol/starting device, it shall be considered a false start.

10. If a competitor, after the command "on your marks", disturbs other competitors in the race through sound or otherwise, it may be considered a false start.
11. The Starter or any Recall Starter, who is of the opinion that the start was not fair, shall recall the competitors by firing a pistol or sounding a distinctive false start tone.
12. No penalty shall be imposed for the first false start in a race. The competitor(s) responsible for the false start shall be warned with a yellow card/flag placed on the respective lane marker(s). At the same time, all the other competitors taking part in the race shall be warned with a yellow card/flag raised in front of them to notify them that anyone committing further false starts will be disqualified. This last mentioned basic system (to raise a card/flag in front of the athlete(s) responsible for the false start) will also be followed in case lane markers are not being used. In case of further false starts, the competitor(s) responsible for the false start shall be disqualified and a red card/flag shall be placed on the respective lane marker(s), or raised in front of the respective athlete(s).

NOTE 1: *In practice, when one or more competitors makes a false start, others are inclined to follow and, strictly speaking, any competitor who does so has also made a false start. The Starter should charge only the competitor or competitors who, in the Starter's opinion, were responsible for the false start. This may result in more than one competitor being charged with a false start. If the unfair start is not due to any competitor, no competitor shall be charged, and a green card shall be shown to all competitors.*

NOTE 2: *For Combined Events exception, See Rule 200.3(c).*

NOTE 3: *For Youth exception, see Rule 302.2(d).*

NOTE 4: *For Masters exception, see Rule 332.2(c).*
13. In handicap races, the Starter shall also disqualify from that event any competitor who attempts to advance from his/her mark, as prescribed in the official program, after the Starter has given the final oral command.
14. Should the Starter have occasion to warn the competitors on any point, or is not satisfied that all is ready to proceed after the competitors are on their marks, he/she shall order the competitors to "stand up."
15. The Starter shall report to the Referee any misconduct by any competitor at the start. The Referee shall have authority to disqualify such competitors.
16. In races where the competitors are not placed behind the same starting line (*i.e.*, races of 200m to 800m on oval tracks), the Starter should use a microphone transmitting to speakers positioned at or near the starting line in each lane.

Where such a device is not used, the Starter shall so be placed that the distance between the Starter and each of the competitors is approximately the same.

NOTE: *See Rule 160.6 as to the position of starting line and finish line. The line painted or placed upon the ground is in front of the theoretical starting line and must not be touched by the competitors. See Rule 161 regarding the use of starting blocks.*

17. When a false start detection apparatus is used, the Starter and/or an assigned Recall Starter with no other duties, shall wear headphones in order to hear clearly any acoustic signal that is emitted in the case of a false start. As soon as the Starter or Recall Starter hears the acoustic signal, and if the pistol/device was fired, there shall be a recall. The Starter shall immediately examine all available numerical and graphical information generated by the false start detection apparatus in order to confirm which athlete(s), if any, is/are responsible for the false start. Unless the apparatus was obviously not working properly, a false start shall be charged to the athlete(s) with a reaction time faster than 100/1000th of a second.
18. In races that do not start in lanes, competitors may be divided into two groups with one group of approximately 65 percent of the competitors on the regular arced starting line and the other group on a separate arced starting line marked across the outer half of the track. The outer group shall run as far as the end of the first turn on the outer half of the track.

RULE 163 THE COMPETITION

1. Competitors shall be placed at the finish in the order in which any part of their bodies (*i.e.*, the "torso," as distinguished from the head, neck, arms, hands, legs, or feet) reaches the finish line.
2. In running events, including hurdle races and Steeplechases, no competitor may place any mark or marker upon the running surface or alongside it, except as allowed in relay races. See Rule 170.11.
3. Each competitor shall run in a direct line after entering the final straightaway in all races of two or more turns unless there is another competitor in his or her path.
4. Any competitor or participant jostling, running across, or obstructing another competitor or participant so as to impede his or her progress shall be liable to disqualification in that event. The Referee shall have the authority to order the race to be re-held, excluding the disqualified competitor or, in the case of a heat, to permit any competitor(s) seriously affected by jostling or obstruction (other than the disqualified competitor) to compete in a subsequent round of the race.

Normally, such an athlete should have completed the event with bona fide effort. Regardless of whether there has been a disqualification, the Referee, in exceptional circumstances, shall also have the authority to advance a competitor seriously affected by jostling or obstruction or to order the race to be re-held if it is just and reasonable to do so.

5. Each competitor must keep in the lanes outside the line or curb marking the inside of the track, including the diversion from the track for the steeplechase water jump. In races run entirely in lanes, each competitor must keep in the allotted lane from start to finish. In races run partially in lanes, each competitor must keep in the allotted lane from the start to the marked cut-in points. Unless a material advantage has been gained, a competitor shall not be disqualified if he or she:
 - (a) is pushed or forced by another competitor to run out of the lane, or
 - (b) runs out of the lane on the straightaway, or
 - (c) runs outside of the outer lane line on the curve.

Excluding the above exceptions, the Referee shall disqualify a competitor if an Umpire reports that the competitor has run out of the lane.

6. Leaving Track, Field, or Course:
 - (a) No competitor, after leaving the track or course, shall be allowed to rejoin a race either for the purpose of gaining a place or to pace or to assist another competitor.
 - (b) In field events and in the combined events, with the permission of the Chief Judge of the event and accompanied by an official, a competitor may leave the immediate area of the competition during the progress of the competition (other than during a race). Competitors excused to compete in another event need not be accompanied.
 - (c) In any track event of 20,000 meters or more or in any road race, a competitor may leave the road or track with the permission and under the control of a judge or other authorized official, provided that by going off or returning to the course the athlete does not lessen the distance to be covered.
7. To be considered a finisher, a competitor must complete the race.
8. In any race decided on the basis of the distance covered in a fixed period of time, the Starter shall fire the pistol or give other audible or visual signal exactly one minute before the end of the race to warn competitors and judges that the race is

nearing its end. At the exact specified time after the start, as directed by the Chief Timer, the Starter shall signal the end of the race by again firing the pistol or giving other audible or visual signal. The Timers will then immediately stop their watches. At the instant of the signal of the expiration of the time, the Judges appointed for that purpose shall mark the exact spot where each competitor last touched the track before or simultaneously with the final signal. Competitors may be given marking devices to place at their last contact point to aid the Judges. The distance achieved shall be measured to the nearest meter or yard behind the rear edge of the last footprint of the competitor. At least one judge shall be assigned to each competitor before the start of the race for the purpose of recording the time of each lap completed and marking the distance achieved.

- 9. Distances achieved in fixed time period races may be measured in miles, yards, or meters. However, the results must be reported in kilometers and/or meters. Distances converted from other than metric measurement must be indicated as such. Any conversions shall always be rounded down to the next lower meter.
- 10. (a) The periods for which the wind will be measured, from the flash of the starting pistol, are as follows:

80 Meter Hurdles	10 seconds
100 Meters	10 seconds
100 Meter or 110 Meter Hurdles	13 seconds

- (b) In the 200 Meters and 200 Meter Hurdles run around a curve, the wind velocity shall be measured for a period of 10 seconds, commencing when the runners enter the straightaway. In the Long Jump and Triple Jump, the wind velocity shall be measured for a period of 5 seconds, commencing 40m from the take-off board in the case of the Long Jump and 35m from the take-off board in the case of the Triple Jump or, if the competitor runs less than 40 or 35m, as the case may be, from the start of the run.
- 11. The wind measuring instrument shall be placed beside the sprint track, adjacent to lane 1, preferably 50m from the finish line and, for the Long Jump and Triple Jump, 20m from the take-off board. The instrument shall be not more than 2m away from the track or straightaway and should be approximately 1.22m (4 ft.) above the competition surface.
- 12. The wind gauge shall be read in meters per second, rounded and recorded to the next higher tenth of a meter per second, in the positive direction. (*i.e.*, a reading of +2.03m per second shall be recorded as +2.1; a reading of -2.03m per second shall be recorded as -2.0). Gauges that produce digital readings expressed in tenths of meters per second shall be constructed so as to comply with this rule.

NOTE: For record requirements, See Rule 262.4.

13. To insure an accurate reading of only the wind component in the direction of running, a mechanical wind gauge should have some type of protection which reduces the impact of any cross-wind component. Where tubes are used, their length on either side of the measuring device should be at least twice the diameter of the tube.
14. The wind gauge may be started and stopped automatically and/or remotely, and the information conveyed directly to the competition computer. Whenever the wind gauge is connected to a computer system, the Wind Gauge Operator shall assure that the wind gauge is properly transmitting the wind readings to the computer and that the computer is properly recording those readings.

RULE 164 THE FINISH LINE

1. The finish line shall be a line drawn across the track or course surface from finish post to finish post. Where their use may interfere with photo finish equipment, finish posts should not be used.
2. For the purpose of aiding the judges, but not as a finish line, there can be stretched across the track at the finish, 1.22m (4 ft.) above the ground and directly over the finish line, a worsted string or thread or tape of material which will not tend to injure the runners when broken by them. This worsted string or finish tape shall be held by officials other than the judges or by releasing clamps fastened to the finish post on either side, so that it will always be at right angles to the course and parallel to the ground. It is recommended that where there is fully automatic timing, the worsted string or tape not be used.
3. The finish post shall be of rigid construction, 1.37m (about 4 ft. 6 in.) in height, 7cm in width - and by width is meant the direction at right angles with the track - and 2cm in thickness.
4. The finish line on the track surface, while theoretically of no appreciable width must actually have some width so that it may be more readily observed. This line should have a width of 5cm on the track and no less than 5cm on the road or course.

NOTE: *See Rule 244 for finish line requirements at road events.*

RULE 165 TIMING

1. Four methods of timing are official, hand timing, fully automatic timing, video timing, and transponder timing as set forth in this Rule. A timing device that operates automatically at either the start or finish, but not at both, shall be con-

sidered to produce neither hand times or fully automatic times and should not be used to obtain official times.

2. Where practical, fully automatic timing should be used. Such times shall be the official times for those events unless the Referee determines that the equipment is not operating properly.
3. When hand times must be used, timing procedures shall be governed by sections 5 through 8. When properly functioning fully automatic timing is available, timing procedures shall be governed by paragraphs 9 through 12.
4. The time shall be taken from the flash/smoke of the pistol or approved apparatus to the moment at which any part of the competitor's body (*i.e.*, the "torso," as distinguished from the head, neck, arms, hands, legs, or feet) reaches the perpendicular plane of the nearer edge of the finish line.

NOTE: *Times for races conducted partly or entirely outside the stadium may be published to 1/10 of a second to illustrate time differences between finishers, but only times rounded to the next longer full second shall be official.*

Hand Timing

5. Hand times shall be taken by using either mechanical stopwatches or manually operated stopwatches or electronic devices with digital readouts. If the fully automatic timing system was not automatically started with the pistol, or suffered a loss of operation during the race, but did accurately record the finish, the hand times should be adjusted using information from a fully automatic timing system, if such information is available.
6. If two of the Official Timers' watches agree and the third disagrees, the time shown by the two shall be the official time. If all three watches disagree, the time shown by the watch recording the middle time (not the average of all three) shall be the official time. If for any reason only two watches record the time of an event, and they fail to agree, the longer time of the two shall be accepted as the official time.
7.
 - (a) For all hand-timed races on the track, the times shall be recorded to 1/10th second. The times for races partly or entirely outside the stadium shall be converted and recorded to the next longer full second, e.g., for the Marathon 2h.09:44.3 shall be recorded as 2:09:45.
 - (b) If the hand of the watch stops between two lines indicating the time, the longer time shall be accepted.
 - (c) When the time displayed on electronic, manually operated digital timers includes decimal place values greater than zero, the recorded time shall be the displayed time rounded up to comply with the provisions of 7(a), above.

E.g., for the Marathon, displayed times of 2:09:44.001 or 2:09:44.01 shall be recorded as 2:09:45. For the track, a displayed time of 1:45.209 shall be recorded as 1:45.3 and a displayed time of 47.31 shall be recorded as 47.4. A displayed time of 31:00.00 is rounded to and recorded as 31:00 and a displayed time of 31:00.01 is rounded to and recorded as 31:01.

8. When possible, Timers shall be placed at least 5m back from and in line with the finish on an elevated platform.

Fully Automatic Timing

9. (a) If possible, there should be at least two fully automatic timing devices of a similar make in operation, one from each side of the track at the finish line. At the Open and Junior National Championships, at least two fully automatic timing devices of a similar type must be used and the placement should be with at least one at each side of the track at the finish line. Preferably, the two timing devices should be technically fully separated, *i.e.*, supported by different power systems and recording and relaying the report of the Starter's pistol, or approved starting apparatus, by separate equipment and cables.
 - (b) Where two or more fully automatic timing devices are used, one should be designated as the official one before the start of the competition. The times and places from the other device(s) or camera(s) should not be considered unless there is reason to doubt the accuracy of the official device or if there is a need to use the supplementary images to resolve uncertainties in the finishing order or times.
10. (a) The timing equipment must be fully automatic and certified to be accurate prior to the competition. It must be started automatically by the discharge of the Starter's pistol or authorized starting device at the instance of the flash/smoke from the charge, and it must record the finish times automatically when any part of the competitor's body or torso (as distinguished from the head, neck, arms, hands, legs, or feet) reaches the perpendicular plane of the nearer edge of the finish line. The overall delay between the report from the pistol or the initial sound of the electronic tone and the start of the timing system must be constant and less than 1 millisecond.
 - (b) In the event that the fully automatic timing devices malfunction at the start of a race, the race should be recalled. A recall starter should be assigned for this purpose. See Rule 129.
 - (c) If the fully automatic timing device is not started automatically in accordance with subparagraph (a), the image should so indicate automatically. In such case, the times recorded on the image will not, under any circumstances, be considered official. The image may, however, be used as a valid

support to determine placings and to adjust time intervals between runners. See Rule 165.5.

- (d) In all fully automatic systems, the picture production and the time system shall be synchronized generating a uniformly marked time scale graduated in 1/100th of a second. The photo finish system must be able to produce a printed picture that shows the time for each runner.

11. Recording Times:

- (a) Fully automatic timing for races on the track up to and including 10,000 meters shall be read to 1/1000th of a second, when possible. When the last digit is zero, that digit shall be dropped and the official time recorded in hundredths of seconds. Otherwise, the time shall be rounded to the next longer hundredth of a second and so recorded. When the fully automatic timing device cannot be read to 1/1000th of a second, it shall be read and recorded in hundredths of seconds, rounded up to the next longer hundredth when the time is between hundredths indicators.
- (b) The result for fully automatic timed races on the track longer than 10,000 meters shall be read in 1/100th second and shall be converted to the next longer 1/10th second and recorded in 1/10th, e.g., for the 20,000 Meters Run, 59:26.32 shall be recorded as 59:26.4.
- (c) The times for races conducted partly or entirely outside the stadium (off the track) shall be read in 1/100th second and shall be converted to the next longer whole second, *i.e.*, for the Marathon, 2h.09:44.32 shall be recorded as 2.09:45.

12. Any adjustments to hand timing will be accomplished by using time interval information from the fully automatic timing system and will be recorded in accordance with Rule 165.7(a).

Video Timing

13. A videotape-based system may be used for non-championship competition, provided:
- (a) it complies with the provisions of Rule 165.10;
 - (b) it uses a videotape camera aligned with the finish line and videotape that produces at least 50 frames per second; and
 - (c) it incorporates a timing device that generates a reading to 1/100th of a second. When a frame-by-frame videotape-based system is used, the official

time for each competitor shall be read from the time of the frame where the competitor is positioned exactly at, or immediately after, the finish line.

NOTE: *Video timing is not fully automatic timing and is intended to be used as a backup timing system.*

14. When a videotape-based system is used, the Photo Finish Judges shall consider the frames immediately before and after the finish line. If there is any change in position between these two frames, the Judges shall declare a dead heat between the runners whose positions have changed.
15. A photofinish system based on a combination of a video CCD (Charge Coupler Device) camera with a minimum of 100 lines per second, a computer and an appropriate electronic timing device may be used, provided this system is calibrated by an independent testing laboratory. The system must record the finish through a camera with a vertical slit, positioned in the extension of the finish line, producing a continuous image. In order to confirm that the camera is correctly aligned and to facilitate the reading of the photo finish image, the intersection of the lane lines and the finish line shall be colored black in a suitable design. Any such design must be solely confined to the width of the intersection and not extending before the leading edge or more than 2cm beyond the finish line.

Transponder Timing

16. The use of transponder timing systems in race walking events not held entirely within a stadium, road, and cross country races is permitted provided that:
 - (a) the system requires no action by the runner during the competition, at the finish line, or during any finish line or results related system or process;
 - (b) the resolution is 0.1 second (*i.e.*, it can separate runners finishing 0.1 second apart);
 - (c) the weight of the transponder and its housing carried on the runners' uniform, race number or shoe is not significant;
 - (d) none of the equipment used at the start, along the course or at the finish line constitutes a significant obstacle or barrier to the progress of the runner;
 - (e) the system, including the implementation of its components and its technical specifications, is approved by the finish line subcommittee of the Road Running Technical Council;
 - (f) the system is started in accordance with Rule 245.2;

- (g) the determination of the official winning time is in accordance with Rule 165.4; and
- (h) times for other competitors will be adjusted, based on the official winning time.

NOTE: *Net times (the elapsed time between an individual's transponder generated starting and finish times) shall not be used for any purpose other than Masters LDR records. See Rule 265.10.*

SECTION II TRACK EVENTS

RULE 166 REGULATIONS FOR FORMING HEATS

1. The heats or sections for all rounds in the running events in the Open National Track and Field Championship, and to the extent feasible in all other meets, shall be formed according to the following:
 - (a) In individual races up to and including the 800 Meters, and relays up to and including the 4x400 Meters, the number of competitors on the track in a race, at the start, shall not exceed the number of lanes on the track for that event, excluding all lanes which would not qualify for record purposes. As an exception, in the first round of the outdoor 800 Meters, up to 12 runners may start using the procedure in Rule 162.18.

NOTE: *For Youth exception see Rule 303.1(c).*
 - (b) Unless otherwise provided within this Rule, no fewer than three (3) athletes from any one heat shall advance to the next round of competition. Except where Rule 167 applies, other athletes may qualify by place or by time according to Rule 166.1(h), the particular competition regulations, or as determined by the Games Committee. When athletes are qualified according to times, only one system of timing shall be applied.
 - (c) In events of 1500 meters or longer, the Games Committee shall determine the number of heats, the number of qualifiers and the basis for qualification, within the following guidelines.
 - i. At least one half of the qualifiers for a succeeding round in any event shall be on the basis of place; no more than one half on the basis of time.
 - ii. If more than 16 report for the 1500 Meters, more than 18 report for the 3000 Meters or Steeplechase, or more than 20 report for the 5000 Meters (except for the Open Women's 5000 meters), heats shall be run.

- iii. If heats are run as required in this section, then there shall be no more than 12 in the final of the 1500 Meters, no more than 14 in the final of the 3000 Meters or Steeplechase, and no more than 16 in the final of the 5000 Meters.
 - iv. If more than 24 report for the 10,000 Meters or the Open Women's 5000 Meters, the event should be run in sections of no more than 24, but may be run as heats of no more than 24, with no more than 20 advancing to the final of the 10,000 Meters and no more than 16 advancing to the final of the 5000 Meters.
 - v. The Games Committee of all meets other than the Open National Championships may elect to run these events as sections because of facility or scheduling conditions. The election of this format must be stated in the entry form.
- (d) Principles of forming heats:
- i. First round seeding, including sections, is derived from the ranked list of declared athletes, arranged in order of qualifying times. For qualifying periods that span more than 12 months, marks prior to the current year (or current season in the case of indoor meets) shall be ranked following the ranking of all other marks. Entrants who have no mark shall be listed randomly following all those who have a qualifying mark.
 - ii. In rounds other than the first:
 - a. For events of 100 meters to 400 meters, inclusive, and relays up to and including the 4x400 Meters, seeding is determined from a list of competitors who advance on place followed by those who advance on time. Those who advanced on place are ranked first by their place in the previous round and then by their time in that round, creating ranked groups of place winners. Those who advance solely on time are ranked separately by only their time in the previous round. Only one system of timing may be applied to determine a qualifying position based on the time element. The disregarding of automatic timing for qualifying purposes does not negate those automatic times as official times for other purposes.
 - b. For all other events, seeding is from the list of competitors in the event, ranked by their original times used for seeding modified only by improvements achieved in previous rounds.

- iii. Athletes are assigned to heats, from the ranked list for the appropriate round, working alternately from left to right and right to left, in a zigzag fashion. If this assignment to heats creates a heat that contains the fastest times from each place group (fastest first, fastest second, fastest third, etc.), the same ranked list and zigzag fashion are used, but the heat assignment for the fastest time in each place group is alternated. (See example for 4 heats, 4 qualifiers, in the table below.)
- iv. In the process of assigning athletes to heats, no consideration shall be given to the team affiliation of any runner.
- v. If all heats do not have the same number of contestants, the heats for the extra athletes will be drawn by lot.
- vi. Heat order is drawn by lot.

(e) Examples of forming heats:

Legend:

1a - Fastest First-Place Runner

1b - Second Fastest First-Place Runner, etc.

2a - Fastest Second-Place Runner

2b - Second Fastest Second-Place Runner, etc.

(concluding with)

5a - Fastest Time Qualifier

5b - Second Fastest Time Qualifier, etc.

**3 Heats, 4 Qualifiers
on Place, 4 on Time**

Heat 1

1a
2a
2b
3b
3c
4c
5a
5d

Heat 2

1b
1c
2c
3a
4a
5b
5c

**4 Heats, 4 Qualifiers
on Place**

Heat 1

1a
1d
2b
2c
3a
3d
4b
4c

Heat 2

1b
1c
2a
2d
3b
3c
4a
4d

**5 Heats, 3 Qualifiers
on Place**

Heat 1

1a
1d
1e
2d
3b
3c
3e (draw heat by lot)

Heat 2

1b
1c
2a
2b
2e
3a
3d

(f) Principles of assigning lanes.

- i. For events of 100 meters to 800 meters, inclusive, and relays up to and including the 4x400 Meters:
 - a. In the first round, including a final if it is the first round, lanes will be drawn by lot, using the lanes designated by the Games Committee.

- b. For all other rounds, competitors shall be ranked after each round in accordance with the procedures set forth in Rule 166.1(d)ii. Three draws will then be made.
- (1) The first draw is for those preferred lanes as determined by the Games Committee, for a number equal to and not exceeding one-half the number of lanes used, for the highest ranked competitors in the race based on the ranked list for forming heats for the round.
 - (2) The second draw is for those preferred lanes as determined by the Games Committee, for a number equal to and not exceeding one-half those competitors remaining after the first draw.
 - (3) The third draw is for the remaining competitors in the race and the remaining lanes.
- ii. For track events with non-lane starts, the position of the athletes on the track will be drawn by lot in all rounds.
- (g) The principles set forth in forming heats and assigning lanes shall be applied to events when the number of entries requires more than one line of competitors at the starting mark.
- (h) On a six (6), eight (8), or nine (9) lane track, in the absence of extraordinary circumstances, the following table shall be used in determining the number of heats and advancement procedure for events run entirely or partially in lanes. On other tracks, the table should be modified to reflect the other provisions of this Rule. For Championships and selection meets, alternate advancement procedures may be included in the published entry material.

**WHERE HAND TIMING IS USED
FOR EIGHT LANES**

No. of Entries	No. Trial Heats	No. Qualifying	No. Semi-		No. in Final
			Finals Heats	No. Qualifying	
1 to 8	0	-	0	-	1 to 8
9 to 16	0	-	2	3 + next 2 best times	8
17 to 24	0	-	3	2 + next 2 best times	8
25 to 32	4	3 + next 4 best times	2	3 + next 2 best times	8
33 to 40	5	4 + next 4 best times	3	2 + next 2 best times	8
41 to 48	6	3 + next 6 best times	3	2 + next 2 best times	8
49 to 56	7	3 + next 3 best times	3	2 + next 2 best times	8

FOR NINE LANES

No. of Entries	No. Trial		No. Semi-Finals		No. in Final
	Heats	No. Qualifying	Heats	No. Qualifying	
1 to 9	0	-	0	-	1 to 9
10 to 18	0	-	2	4	8
19 to 27	0	-	3	3	9
28 to 36	4	4	2	4	8
37 to 45	5	3	2	4	8
46 to 54	6	3	2	4	8

55 or more requires quarterfinals following above pattern.

**WHERE FULLY AUTOMATIC TIMING IS USED
FOR EIGHT LANES**

No. of Entries	No. Trial		No. Semi-Finals		No. in Final
	Heats	No. Qualifying	Heats	No. Qualifying	
1 to 8	0	-	0	-	1 to 8
9 to 16	0	-	2	3 + next 2 best times	8
17 to 24	3	4 + next 4 best times	2	4	8
25 to 32	4	3 + next 4 best times	2	4	8
33 to 40	5	2 + next 6 best times	2	4	8
41 to 48	6	2 + next 4 best times	2	4	8

FOR NINE LANES

1 to 9	0	-	0	-	1 to 9
10 to 18	0	-	2	4 + next best time	9
19 to 27	0	-	3	2 + next 3 best times	9
28 to 36	4	6 + next 3 best times	3	3	9
37 to 45	5	5 + next 2 best times	3	3	9
46 to 54	6	4 + next 3 best times	3	3	9
55 to 63	7	3 + next 6 best times	3	3	9
64 to 72	8	3 + next 3 best times	3	3	9
73 to 81	9	3	3	3	9

FOR SIX LANES

No. of Entries	No. Trial Heats	No. Qualifying	Finals Heats	No. Qualifying	No. in Final
1 to 6	0	-	0	-	1 to 6
7 to 12	0	-	2	2 + next 2 best times	6
13 to 18	3	3 + next 3 best times	2	3	6
19 to 24	4	2 + next 4 best times	2	3	6
25 to 30	5	3 + next 3 best times	3	2	6
31 to 36	6	2 + next 6 best times	3	2	6
37 to 42	7	2 + next 4 best times	3	2	6
43 to 48	8	2 + next 2 best times	3	2	6

2. Whenever the number of competitors reporting for an event makes heats, as required in this Rule, unnecessary, the event shall be run as a final at the time in the program so scheduled for the final, unless other provisions have been made by the Games Committee.
3. Whenever the number of competitors reporting, in any heat or round, for an event eliminates the element of competition, the Referee, or one or more persons appointed by the Referee, may reform the heats, re-determine the number of rounds, or redetermine the qualifying procedures for the event, in accordance with this Rule, unless other provisions have been made by the Games Committee.

NOTE 1: *For rule applicable to forming heats for Indoor competitions, see Rule 214.*

NOTE 2: *For rules applicable to forming heats in Youth Athletics competition, see Rule 303.*

4. Whenever the Games Committee determines that there are too many competitors to run a single final, and the schedule precludes a qualifying round, the event shall be contested in sections as a time-based final. In timed final events, sections shall be derived from the ranked list of declared athletes, arranged in order of qualifying times. Each section, beginning with the fastest, shall be filled to its limit before placing anyone into the next section. If the last section has fewer than three competitors, the slowest ranked competitor(s) from the previous section, as needed, shall be moved to that section. Sections shall be contested in reverse order, slowest to fastest.

NOTE 1: *See Rule 302.2(a) and (b) for Youth Athletics.*

NOTE 2: *See Rule 332.2(e) for Masters Track and Field.*

5. After the Clerk of Course has reported to the Referee the number of competitors ready to start in the first round of a running event and the Referee has designated the number to compete in each heat and the number of heats to be run as well as the number to qualify to the next round, additional competitors shall not be permitted to start.
6. For seeding purposes only, the conversion factor of .24 seconds between fully automatic and manual timing must be used when conversions are made (*i.e.*, the manual time plus the conversion factor equals the fully automatic time for seeding purposes under Rule 166).
7. When an individual or relay team, having qualified for a subsequent round, withdraws for any reason, no additional individual or relay team shall be advanced to fill the vacated position. When an individual or relay team is disqualified prior to the subsequent round, the qualifiers and seeding shall be redetermined without the disqualified competitor(s) unless the disqualification results in an advancement under Rule 163.4, in which case no other advancement shall occur.
NOTE: *An athlete who is declared with exhibition status prior to an event shall not be considered to be a qualifier for the next round.*
NOTE: *For Masters exception, see Rule 332.2(b).*

RULE 167 RUNNING EVENT TIES

Ties shall be decided as follows:

1. In determining whether there has been a tie for a qualifying position for the next round based on time, the Photo Finish Judge shall consider the actual time recorded by the competitors without regard to the rule that the time should be read to the next longer 1/100th of a second.

If it is thus determined that there has been a tie, the tying competitors shall be placed in the next round if it is practical to do so. If that is not practical, the tying competitors shall compete again. If that is not practical, lots shall be drawn to determine who shall be placed in the next round.
2. In case of a tie for first place in any final, if the Referee decides that it is practicable for the tying competitors to compete again, they shall do so. If the Referee decides it is not practicable, the result shall stand. Ties other than for first place shall remain.

RULE 168 HURDLES

1. For outdoor competition, the standard distance for hurdle races, which shall have 10 flights of hurdles in each lane and set out in accordance with the following table, shall be:

	Distance of Race	Height of Hurdle	Distance from Start to First Hurdle	Distance Between Hurdles	Last Hurdle to Finish
Junior Men	110m	0.995m (± 0.005)	13.72m	9.14m	14.02m
Men	110m	1.067m (± 0.003)	13.72m	9.14m	14.02m
Men	400m	0.914m (± 0.003)	45m	35m	40m
Women's	100m*	0.840m* (± 0.003)	13m	8.5m	10.5m
Events	400m	0.762m (± 0.003)	45m	35m	40m

* For experimental purposes, women's events may be conducted with a hurdle height of 0.914m (36in.).

NOTE: For Indoor specifications, see Rule 216. For specifications for Masters races, see Rule 332.2(k). For specifications for Youth Athletics, See Rule 302.4

2. A hurdle shall be of such strength and stability as not to be broken easily by a competitor hitting the same, and if of the reversible or adjustable type, shall be rigid when so adjusted.
3. All races shall be run in lanes. Each athlete shall jump each hurdle and shall keep to his or her own lane throughout. Except as provided in Rule 163.5, a competitor shall be disqualified if he/she:
 - (a) fails to jump one or more hurdles;
 - (b) trails the leg or foot below the horizontal plane of any hurdle at the instant of clearance;
 - (c) jumps any hurdle not in his/her own lane; or
 - (d) in the opinion of the Referee, deliberately knocks down any hurdle.
4. Except as provided in paragraph 3 above, the knocking down of one or more hurdles does not disqualify the athlete nor prevent a record provided standard 3.6kg pull-over weight hurdles have been used.

NOTE: Under IAAF Rule 168.9, in establishing a world record a complete set of hurdles of the international type must have been used. For specification of the hurdles, see USATF Rule 168.5 - 168.11.

5. **Construction** - The hurdles shall be made of metal or some other suitable material with the top bar of wood or some other suitable material and shall consist of two bases and two uprights supporting a rectangular frame reinforced by one or more crossbars, the uprights to be fixed at the extreme end of each base. The hurdles shall be of such design that a force of at least 3.6kg (8 lb.) applied horizontally to the center of the top edge of the crossbar is required to overturn it. The hurdles may be adjustable in height for each event. The counterweights must be adjustable so that at each height a horizontal force of at least 3.6kg (8 lb.) and not more than 4.0kg is required to overturn it.

6. **Width** - The maximum width shall be 1.20m.
7. **Length** - The maximum length of the base shall be 70cm.
8. **Top Bar** - The top bar shall be 7cm wide and shall be striped in black and white or in some other strong distinctive contrasting colors, also in contrast with the surrounding environment, in such a manner that the lighter stripes appear for at least 22.5cm at each end of the bar. The thickness of this bar shall be between 10 and 25mm and the top edges should be rounded. The bar should be firmly fixed at the extremities. The top bar shall be of a length equal to the width of the lane in which it is placed.
9. **Placement** - The hurdles shall be so placed on the track that the feet of the hurdles shall be on the side of the approach by the competitor. The hurdle shall be so placed that the edge of the bar nearest the approaching hurdler coincides with the track marking nearest the approaching hurdler.
10. **Weight** - The total weight of the hurdle shall be not less than 10 kilograms.
11. **Testing** - To check the resisting force of hurdles, a simple spring balance should be used to apply a pulling force horizontally to the center of the crossbar. Alternatively, use a cord with a hook applied horizontally to the center of the crossbar; take the cord along over a pulley fixed appropriately and load the other end of the cord with weights.

NOTE: *The so-called "rocker" hurdle does not comply with the above specifications.*

A diagram showing the design of approved hurdles appears in Figure 1.

RULE 169 STEEPLECHASE

1. The standard distance shall be 3000 meters. Races of 1500 and 2000 meters may also be contested.
2. The 3000 Meter Steeplechase shall have 28 hurdle jumps and 7 water jumps. The 2000 Meter Steeplechase shall have 18 hurdle jumps and 5 water jumps. The 1500 Meter Steeplechase shall have 13 hurdles and 3 water jumps. There shall be five jumps per lap after the finish line has been passed for the first time. The water jump shall be the fourth if that is feasible. The jumps shall be evenly distributed, *i.e.*, the distance between the jumps shall be approximately one-fifth of the nominal length of the lap. Because of differences in track design and water jump placement, all steeplechase courses must be individually measured. Generally, only the start line will need to be adjusted. A diagram showing a typical configuration of the barriers on a 400m track with an interior water jump is shown in Figure 2.

NOTE: *In the 2000m event, if the water jump is on the inside of the track, the finish line has to be passed twice before the first lap with five jumps.*

3. The men's hurdles shall be 91.4cm (\pm 3mm) high (3 ft.). The women's hurdles shall be 76.2cm (\pm 3mm) high (2 ft. 6 in.). The hurdles shall be at least 3.96m wide and shall be placed on the track so that 30cm of the top bar, measured from the inside edge of the track, will be inside the field. The section of the top bar of the hurdles and the hurdle at the water jump shall be 12.7cm (5 in.) square. The weight of each hurdle shall be between 80 and 100kg, and each hurdle shall have on either side a base between 1.2 and 1.4m. All hurdles are to be painted with white and black stripes, or in other strong distinctive contrasting colors, also in contrast with the surrounding environment, in such a manner that the lighter stripes, which will be at least 22.5cm wide, are on the outside. See Figure 3.

NOTE: *It is recommended that the first hurdle taken in the race should be at least 5m wide.*

4. Each competitor shall go over or through the water. An athlete shall be disqualified if he/she:
 - (a) does not jump any hurdle;
 - (b) steps to one side or the other of the hurdles; or
 - (c) trails the leg or foot below the horizontal plane of the top of any hurdle at the instant of clearance.
Provided this Rule is observed, an athlete may go over each hurdle in any manner.

5. Water Jump Construction:

- (a) The water jump, including the hurdle, shall be 3.66m (\pm 2cm) in length and 3.66m (\pm 2cm) in width. At the start of a race, the surface of the water shall be level with the surface of the track, within a margin of 2cm. The depth of the water closest to the hurdle shall be 70cm for approximately 30cm. From there, the bottom shall have a uniform slope upwards to the level of the track at the farther end of the water pit. The hurdle at the water jump shall be 3.66m (\pm 2cm) wide, and shall be firmly fixed to the ground, so that no horizontal movement is possible. The top bar shall be 12.7cm x 12.7cm (5 in. x 5 in.) in thickness and the same height as the others.
- (b) The sloped portion of the bottom of the water pit shall be covered with a synthetic surface, or matting, of sufficient thickness to afford a safe landing, and allow for the spikes to grip satisfactorily. See Figure 4.

RULE 170 RELAY RACES

1. Lines 5cm wide shall be drawn across the track to mark the distances of the stages and to denote the scratch line.
2. Each take-over zone shall be 20m long of which the scratch line is the center. The zones shall start and finish at the edges of the zone lines nearest the start line in the running direction.
3. The zone center lines of the first take-over zones for the 4x400 (or the second zones for the 4x200) are the same as the start lines for the 800 Meters.
4. The take-over zones for the second and last take-overs (4x400) will be the 10m lines either side of the start/finish line.
5. The breakline arc across the track at the entry to the back straight showing the positions at which the second stage runners (4x400) and third stage runners (4x200) are permitted to leave their respective lanes, shall be marked and identical to the breakline arc for the 800 Meters event, described in Rule 160.8(c).
NOTE: *For rule applicable to relays for Indoor competitions, see Rule 217.*
6. The 4x100 and, where possible, 4x200 Meters Relay, shall be run entirely in lanes. In the 4x200 (if this event is not run entirely in lanes) and 4x400 Meters Relay, the first lap, as well as that part of the second lap up to the line after the first bend (breakline), will be run entirely in lanes.
NOTE: *In the 4x200 and 4x400 Meters Relay, where not more than 4 teams are competing, it is recommended that only the first bend of the first lap should be run in lanes.*
7. In races of 4x100m, 4x200m, and the “Swedish” relay described in paragraph 21, below, members of a team other than the first runner may commence running not more than 10m outside the take-over zone (see paragraph 2 above). A distinctive mark shall be made in each lane to denote this extended limit.
8. In the 4x400 Meters Relay, at the first take-over, which is carried out with the athletes remaining in their lanes, the second runner is not permitted to begin running outside the take-over zone, and shall start within this zone. Similarly, the third and fourth runners shall begin running from within their take-over zones. The second runners in each team shall run in lanes as far as the nearer edge of the breakline after the first turn where the runner may leave their respective lanes.
NOTE: *To assist competitors in identifying the breakline, small cones or prisms (5cm x 5cm no more than 15cm high), preferably of a different color from the breakline and the lane lines, may be placed on the lane lines immediately before the intersection of each lane line and the breakline.*

9. The runners in the third and fourth legs of the 4x400 Meters Relay shall, under the direction of a designated official, place themselves in their waiting position in the same order (inside to out) as the order of their respective team members as they complete 200m of their legs. Once the incoming runners have passed this point, the waiting runners shall maintain their order, and shall not exchange positions at the beginning of the take-over zone. Should any runner not comply with this paragraph, his/her team shall be disqualified.
10. In any relay race, when lanes are not used, for a given exchange, waiting runners may take an inner position on the track as incoming team members approach, provided they do not jostle or obstruct another runner so as to impede that runner's progress. In the 4x200m, 4x400m and sprint medley relays, waiting athletes shall maintain the order in accordance with paragraph 9.
11. Check Marks. When all or the first portion of a relay race is being run in lanes, a runner may place one check mark on the track within his/her own lane, by using self-adhesive tape, maximum 5cm x 40cm, of a distinctive color which cannot be confused with other permanent markings. For a cinder or grass track, the runner may make a check mark within his/her own lane by scratching the track. In either case no other check mark may be used.
NOTE: *For Youth Athletics exceptions, see Rule 302.2(f).*
12. The baton shall be carried by hand throughout the race. If dropped, it shall be recovered by the athlete who dropped it. He/she may leave the assigned lane to retrieve the baton, provided no other runner is impeded and provided that by doing so, the distance to be covered is not lessened.
13. Competitors are not permitted to wear gloves or place substances on their hands in order to obtain a better grip of the baton.
14. In all relay races, the baton shall be passed within the take-over zone. The passing of the baton commences when it is first touched by the receiving runner and is completed the moment it is in the hand of only the receiving runner. In relation to the take-over zone, it is only the position of the baton that is decisive, and not the position of the bodies or limbs of the runners. Passing the baton outside the take-over zone shall result in disqualification.
15. In road relay races, in lieu of a baton, runners shall exchange a sash or wristband provided by race officials.
16. Runners, before receiving and/or after handing over the baton, should remain in their respective lanes or zones, in this latter case, until the course is clear, to avoid obstruction to other competitors. Rule 163.5 shall not apply to these athletes in this situation. Should any runner willfully impede a member of another

er team by running out of position or lane at the finish of the leg, the team of the impeding runner shall be disqualified.

17. Assistance by pushing off or by any other method shall result in disqualification.
18. Any four athletes from among those entered for the competition, whether for the relay or any other event, may be used in the composition of the relay team for any round. However, once a relay team has started in a competition, only two additional athletes may be used as substitutes in the composition of the team for subsequent rounds. The composition of the relay team and the order of running shall be officially declared no later than one half hour before the published starting time for the first heat of each round of the competition. Further alterations may be made only on medical grounds (verified by a medical officer appointed by the Games Committee) and only until the final call for the particular heat in which the team is competing. Should a team not comply with this rule, it shall be disqualified.

NOTE: *For Youth Athletics exceptions, see Rule 302.3.*

19. In all relay races, not more than six (6) athletes may be entered for each team, and the team of four (4) to start must be selected from the six (6) entered.
20. In the case of a handicap relay race, the runner on the first leg is allowed the total handicap allowed each team. While the order of running may be changed as between the second, third, and fourth members of the team, there may be no change in the first runner who has been allowed the team's handicap. In all handicap medley races, the longest distance must be run first.
21. In the sprint medley known as the "Swedish" relay, the order of running in outdoor competition shall be: 100, 200, 300, and 400 meters, and for indoor competitions: 400, 200, 200, and 300 meters.
22. Unless otherwise herein permitted for international competition, or as stated upon the entry blank issued for an athletic meet other than for a National, Regional or Association Championship of USATF, all members of each relay team must be duly accredited representatives of a single club, school, college, or athletic organization.
NOTE: *For Masters exception, see Rule 332.2(g).*
23. For Championships held on more than a single day, heats shall be held for relay races, if necessary. For Championships held on a single day, relays may be conducted in sections.
24. All members of the relay team must be identifiable as team members. Team identification shall be clearly visible and shall distinguish one team from another. Where this is not accomplished by the meet's issuing items such as letters or

distinguishing numbers, team members shall wear an identifying article, such as an identical singlet or shirt.

NOTE: *For Youth Athletics exception, see Rule 302.3(d).*

25. The baton shall be a smooth hollow circular tube made of wood, metal or other rigid material in one piece. Its length shall be between 28 and 30cm. Its circumference shall be 12-13cm and it shall weigh not less than 50g. No material or substance may be applied to the baton.

SECTION III FIELD EVENTS

RULE 180 GENERAL RULES

1. The Referee shall have the power to change the location of the competition in any field event after it has started only if extreme conditions warrant it. Whenever it is feasible, such a change shall be made only after a round in progress has been completed.

NOTE: *The fact that the wind direction has changed is never a justification for reversing the direction of the runway, or changing the direction of throwing, after the event has started.*

2. In all scratch events in the Pole Vault and High Jump, the order of trials shall be determined by lot by the Games Committee. Each competitor shall have one attempt in the order drawn, and then those who have failed, if any, shall have a second trial in their regular order, and those who have failed a second time, if any, shall have a third trial in their regular order (for further details see Rule 181).
3. The order of competition shall be determined by lot by the Games Committee.
4. In all field events other than the High Jump and Pole Vault:
 - (a) No competitor shall have more than one trial recorded in any one round of the competition.
 - (b) When there are more than eight competitors, each competitor shall be allowed three trials. The eight competitors with the best performances (or nine if nine lanes are used around the track) shall be allowed three additional trials. Ties for the final qualifying position for three additional trials shall be broken by applying Rule 180.14.
 - (c) When there are eight or fewer competitors (or nine if nine lanes are used around the track), all shall be allowed six trials. Athletes failing to achieve a valid trial during the first three rounds shall compete in subsequent rounds before those with valid trials, and in the same relative order according to the original draw, excepting paragraph (f).
 - (d) In non-championship competition, in the discretion of the Games Committee, the number of trials allowed to each competitor may be reduced to four.
 - (e) In the competition proper, in a Championship competition, if there are res-

ident and/or non-resident aliens among the leading competitors after the completion of the preliminaries, American citizens in order of placement equal to the number of full lanes around the track, but not to exceed nine (9) shall advance to the finals for three (3) additional attempts.

- (f) In the USA Indoor, Outdoor and Junior Outdoor Track and Field Championships, the order of competition for the fourth and fifth round shall be in reverse order of the best performance in the first three trials, and the order of competition for the final round shall be in reverse order of the best performance in the first five rounds. In all other competitions, the order of competition for the final three trials shall be in reverse order of the best performance in the first three trials, or in the order used for the above mentioned Championships, as determined by the Games Committee prior to the competition. When the competing order is to be changed and there is a tie for any position, those tying shall compete in the same relative order according to the original draw.
- (g) All competitors shall take their first trials in order; then all shall take their second trials in like order, etc.
NOTE: *For Youth Athletics exception, see Rule 302.5(p).*
- (h) All fair attempts in horizontal jumps and throws competitions should be measured immediately after each attempt.

5. If the Games Committee deems it necessary, a separate qualifying competition may precede the competition proper to determine which of the athletes entered in the event shall compete in the competition proper.

- (a) In Championship competition, when sixteen (16) or more competitors entered report prior to the qualifying competition, qualifying rounds shall be held.
- (b) Twelve (12) competitors and ties that remain after applying Rules 180.14, 181.8(a), and 181.8(b) shall advance to the competition proper. In the High Jump and Pole Vault, the competitors who have not withdrawn or been eliminated after three consecutive failures shall continue to compete until the end of the last trial at the height set as the qualifying standard by the Games Committee, unless the number advancing to the final, as determined by this Rule, has been reached. If, after jumping concludes at any height at or below the qualifying standard, there remain fewer than 12 athletes in competition, then additional qualifiers shall be added by applying Rules 181.8(a) and (b). When competition is held in two simultaneous groups, it is recommended that the bar be raised to each height at the same time for each group.

- (c) In all field events except the High Jump and Pole Vault, three (3) attempts shall be permitted each competitor to make the qualifying standard established by the Games Committee.
 - (d) A competitor who has achieved the qualifying standard shall not be allowed to continue in the qualifying competition.
 - (e) Where there are enough competitors to warrant it, it is recommended that the qualifying competition be divided into two or more groups. Unless there are facilities for the groups to compete at the same time under similar conditions, each group shall commence its warm-up immediately after the previous group has finished.
 - (f) Performances made in the qualifying competition shall not be considered part of the competition proper nor count in deciding the final standing in the event.
 - (g) In a qualifying competition, the competitors shall compete in the order drawn by lot. At the end of the qualifying competition, the order for competing in the competition proper shall be determined by a fresh drawing by lot.
6. When qualifying competition in a field event is conducted in flights, the Games Committee may determine whether there should be a warm-up period between flights, and/or the length of the period or the number of warm-up attempts.
7. When there are more than 15 competitors in a field event and the time available for the meet makes the holding of a qualifying competition impractical, the following procedure may be used:
- (a) In throwing and horizontal jumping events, the first three rounds may be conducted in flights.
 - (b) In the vertical jumping events, rotating flights may be used until there are 12 or fewer competitors remaining in competition after the conclusion of jumping at any height. In rotating flights, four or five competitors, as determined by the Games Committee, constitute a flight. As the competitor clears the bar, passes a turn or is eliminated, the next competitor in order is moved up so that the number of competitors in the active flight remains approximately constant.

Under all other circumstances, preliminary trials or finals shall not be conducted in flights in the competition proper.

NOTE 1: *For Youth Athletics exceptions, see Rule 302.5(b).*

NOTE 2: For Masters exception, see Rule 332.3(a).

8. (a) Except as provided in subparagraphs (b) and (c), if a competitor misses a turn in a field event for any reason, (e.g., arriving late, unexcused absence, etc.) that competitor shall not be permitted to have warm-ups using the competition area (see Rule 180.13(c)) or take the trial or trials so missed, but may be permitted to take his/her remaining trials if he/she was entered in the event before it began.
- (b) In the High Jump and Pole Vault, the Chief Field Judge of the event shall permit a tardy declared contestant to start at the height of the bar at the time of his or her arrival. Where there is no formal declaration procedure, anyone entered shall be accepted. The bar shall not be lowered to permit an athlete to make up jumps at earlier heights.
- (c) If a competitor is entered in both a track and a field event, or in more than one field event taking place simultaneously, the appropriate Referee or Chief Field Judge may, for one round at a time, or for each trial in High Jump and Pole Vault, allow the competitor to take a trial out of the regular order. If the athlete subsequently is not present for any trial, it shall be deemed that the athlete is passing once the period allowed for the trial has elapsed. In the case of the High Jump and Pole Vault, if a competitor is not present when all other competitors who are present have completed the competition, the Referee shall deem that such competitor has abandoned the competition once the period for one further trial has elapsed.

NOTE 1: This subsection applies to one attempt at a time within any of the six rounds of competition. It does not permit an athlete to take a given attempt after the next round (or next trial in the vertical jumps) has begun.

NOTE 2: For comparable provisions applicable to Youth Athletics competition, see Rule 302.5(p).

- (d) i. A competitor in a field event who unreasonably delays making a trial is liable to have the trial disallowed, and recorded as a foul.
- ii. It is a matter for the Referee to decide, having regard to all the circumstances, what is an unreasonable delay. The times in the following chart should not normally be exceeded:

Time in Minutes for Initiating Field Events						
Number of athletes competing at start of the round	Individual Event			Combined Event		
	HJ	PV	Other	HJ	PV	Other
More than 3	1	1	1	1	1	1
2 or 3	1.5	2	1	1.5	2	1
1	3	5	-	2	3	
Consecutive Trials	2	3	2	2	3	2

- iii. In the High Jump and Pole Vault, any change in the time period allowed for a trial shall not be applied until the bar is raised to a new height, except when time specified for consecutive trials shall be applied whenever any athlete has two or more consecutive trials. The time allowed shall be the greater if more than one situation is applicable. For the first attempt of any competitor upon entering the competition, the time allowed for such attempt shall be one minute. The number of competitors remaining in the competition includes those who could be involved in a jump-off for first place.
- iv. A clock that shows the remaining time allowed should be visible to the competitor. In addition, an official shall raise overhead and keep raised a yellow flag, or another suitable indicator, for the final 15 seconds remaining of the time allowed. If the time expires before the attempt is initiated then the yellow flag shall be lowered and a verbal indication given. In addition to the use of flags and/or a clock, a verbal indication of time remaining is acceptable.
- v. The official responsible for the event shall indicate by verbal and visual signal to the competitor that the trial is to begin, and the period allowed for that trial shall commence from that moment. If the competitor then passes, the official shall not require that the time for the next competitor commence until the time period for the passing competitor has elapsed. In the Pole Vault, the trial and the time allowed for it shall commence when the uprights have been adjusted to previous wishes of the competitor (see Rule 183.1(b)), at which time the official responsible for the event shall so indicate to the competitor. If the competitor wishes to make further adjustments of the uprights, that should be done during the applicable time limit.
- vi. When the clock or the time set forth above is started, the time should not be restarted except in cases where the Chief Official of the event judges that there is good cause to do so. During that time, an athlete may not pass a height in the High Jump or Pole Vault or an attempt or trial in any other event without being charged with a trial unless otherwise provided by the Chief Official of that event.
- vii. If the time allowed lapses once the competitor has started a trial, that trial should be allowed.

NOTE: *Rule 180.8 applies to all field events, including those contested in combined events.*

9. The completion of valid trial shall be once the Chief Judge has determined that:
 - (a) for vertical jumps there is no failure according to Rules 182.3, 183.5 or 183.6,

- (b) the competitor leaves the landing area in the horizontal jumps according to Rule 185.4, or
 - (c) the competitor leaves the circle or runway in the throwing events according to Rule 187.5 or Rule 193.1(e).
10. In all handicap events, the competitor having the greatest allowance shall make the first trials, and so on, in regular order, up to the competitor at scratch or with least allowance, who shall have the last trial.
 11. The Games Committee should place a wind sock near the take-off in all jumping events and near the discus and javelin, to enable competitors to determine the approximate direction and strength of the wind.
 12. In all throwing events, no flags or markers will be placed in the landing sector.
 13. (a) Where possible, a practice area and period should be provided other than at the site of competition. Where no outside practice area is provided, the Games Committee shall establish the length of time permitted for practice throws. These should be made in order of the draw, and competitors should be called by name under the supervision of the judges.
 - (b) A competitor may take no more than two warm-ups or throws for each turn in line at the competition area.
 - (c) Once a competition has begun, competitors are not permitted to use implements for practice purposes or to use the throwing circles, runways, or area within the sectors for practice trials, with or without implements. See Rule 180.6, which authorizes practice or warm-up when an event is conducted in flights.

NOTE: *For Youth Athletics exceptions to subparagraph (c), see Rule 302.5(q).*

Ties

14. In field events where the result is determined by distance, the second-best performance of the tied competitors shall resolve the tie. If the tie still remains, the third-best performance of the tied competitors shall resolve the tie, and so on. If the tie still remains and concerns first place, the competitors having achieved the same result will compete again in the same order in a new attempt until the tie is resolved.
15. Each competitor shall be credited with the best of his/her attempts, including those achieved in deciding a tie for first place. See Rule 262.7 in regard to records.

Runways For Jumping And Throwing Events

16. (a) In the jumping events, the length of the run is unlimited. The minimum length of runways is 40m for the Long Jump, Triple Jump and Pole Vault. For the High Jump, the apron is a 15m semicircle surrounding the standards. On athletic fields used for Championship competitions, the minimum length suggested for runways is 20m for the High Jump apron and 45m for the Long Jump, Triple Jump, and Pole Vault runways. The runway should have a width of $1.22\text{m} \pm 0.01\text{m}$ (4 ft.). The runway should be bordered by white lines 5cm in width (except in the High Jump). In addition, meet management may mark the entire runway outside its edge to indicate the distance from the take-off board or the top of the back of the stop board.

NOTE: *Suggested methods of marking are as follows:*

At the take off area: *mark lines 2.5cm wide and 30cm long from 1.5m to 4.5m in 15cm intervals from the top of the back of the stop board. Stenciled numbers may be added to show the distance from the take-off board or top of the back of the stop board.*

Along the runway: *mark lines 2.5cm wide and 15cm long from 6.0m from the back of the top of the stop board to the end of the runway in 1.5m intervals. Stenciled numbers may be added to show the distance from the take off board or top of the back of the stop board.*

17. In the Javelin Throw, the length of the runway shall be not less than 30m. For Championships, the minimum length should be 33.5m. The runway shall be marked by two parallel lines 5cm wide and 4m apart.
18. (a) The maximum allowance for inclination of runways for jumping events and the Javelin Throw shall not exceed 1:100 laterally.
- (b) The maximum allowance for overall downward inclination in the last 40m of the runway for jumping events and in the last 20m of the runway for the Javelin Throw shall not exceed 1:1000 in the running direction.
- (c) In the High Jump, the maximum overall inclination of the runway in the last 15m shall not exceed 1:250 along any radius in the direction of the center of the semicircular area located midway between the uprights and having the minimum distance specified in Rule 180.16. The landing area should be placed so the competitor's approach is up the inclination.
19. No marks shall be placed on a runway, but a competitor may place one or two markers, supplied or approved by the Games Committee, alongside the runway to assist in the run-up or take-off. If such markers are not supplied, a competitor may use adhesive tape but not chalk or similar substance or anything that leaves indelible marks. For the High Jump, markers may be placed in the runway apron.

NOTE 1: For method of measurement, see Rule 148. For rules relating to records in the field events, see Rule 264. For specifications of implements, circle, runways, throwing cage, sectors, and landing areas, see Rules 180-195; for specifications of Long Jump/Triple Jump take-off boards, see Rule 185.5 and 185.6; for specifications of High Jump/Pole Vault apparatus, see Rule 181.9-19.

NOTE 2: For rules applicable to runways for Indoor competitions, see Rules 218-221.

NOTE 3: For Youth Athletics exception, see Rule 302.5k.

RULE 181 HIGH JUMP AND POLE VAULT

The following subdivisions shall apply to both the High Jump and the Pole Vault:

1. The initial height of the crossbar and the subsequent heights to which the crossbar shall be raised shall be determined by the Games Committee, and shall be announced to the competitors before the commencement of the competition. In jump-offs to decide ties for first place, the bar will be raised and lowered in accordance with Rule 181.8(c).

NOTE: For Youth Athletics exception, see Rule 302.5(o).

2. All measurements must be made with a steel or fiberglass tape or bar graduated in centimeters, and shall be made perpendicularly from the ground to the lowest part of the upper side of the bar. Any measurement of a new height shall be made before competitors attempt such height. A new measurement shall also be made when a new crossbar is substituted for a broken one. In all cases of attempts at record heights, the judges should check the measurement of the bar when the bar has been placed at the record height and they must re-check the height before each subsequent record attempt if the bar has been displaced for any reason or touched since last measured.

NOTE: Judges should ensure, before commencing competition, that the underside and front of the crossbar are distinguishable, and that the bar is always replaced with the same surface uppermost and the same surface to the front.

3. No marks shall be placed in any pit or landing area.
4. In scratch competitions, the competitors shall compete in the order drawn by lot, except as permitted under Rule 180.8 (a), (b) and (c). In handicap competitions, the competitor with the greatest allowance shall make the first trial, and so on. Each competitor shall have the opportunity to make an attempt, or to forego such opportunity in the order drawn; those who have failed shall have a second opportunity in the same order and those who have failed a second time shall have a third opportunity in the same order.

5. In non-championship competition, in the discretion of the Games Committee, vertical jump competitions may be held in a different format to that provided under this rule, including limiting the total number of heights or trials which a competitor may attempt.
6. Unless there is only one competitor remaining who has won the competition:
 - (a) the bar should never be raised by less than 2cm in the High Jump and 5cm in the Pole Vault after each round; and
 - (b) the increment of the raising of the bar should never increase.

A competitor who has won the competition is entitled to continue jumping or vaulting until he/she has forfeited the right to compete further. Notwithstanding the provisions of this Rule, the heights to which the bar is to be raised shall be decided after consulting the competitor, except in combined events competition.

7. When it is clear that the bar has been displaced by a force not associated with the competitor (*e.g.*, a gust of wind)
 - (a) if such displacement occurs after the competitor has cleared the bar without touching it, the attempt shall be considered successful, and
 - (b) if such displacement occurs under any other circumstances, a new attempt will be awarded.

8. **Ties - High Jump and Pole Vault:**

- (a) The competitor with the lowest number of jumps at the height at which the tie occurs shall be awarded the higher place.
- (b) If the tie still remains, the competitor with the lowest total of failures throughout the competition up to and including the height last cleared shall be awarded the higher place.
- (c) If the tie still remains:
 - i. If it concerns first place, the competitors tying shall have one more jump at the next height, determined in accordance with Rule 181.1, after the height last cleared by the competitors, and if no decision is reached, the bar shall be lowered (if all have failed) or raised by 2cm (if two or more have cleared) in the High Jump and 5cm in the pole vault. The tying competitors shall then attempt one jump at each height until the tie is decided. The tying competitors must jump on each occasion when deciding the tie. See the example below.

NOTE: *The following illustrates the application of subparagraph 8(c)i resolving ties for first place in the High Jump and Pole Vault.*

Heights announced by the Chief Judge at the beginning of the competition:
1.75m, 1.80m, 1.83m, 1.86m, 1.88m, 1.90m,.....

Com- petitor	Height and Performance							Total Fails	Jump off			Final Place
	1.75m	1.80m	1.83m	1.86m	1.88m	1.90m	1.92m		1.88m	1.86m	1.88m	
A	0	X0	0	X0	--	XX-	X	2	X	0	X	2
B	X0	0	--	X0	--	--	XXX	2	X	0	0	1
C	--	X0	X0	X0	--	XXX		3				3

0 = cleared x = failed -- = did not jump

All jumpers, A, B, and C, cleared 1.86m, and all three failed the next height that they attempted (C going out at 1.90, A and B at 1.92m). Since C had more total failures than A and B up to and including the height last cleared, C is awarded third place (see subparagraph 8(b)). Since A and B have the same number of failures, they must jump off to determine first place. The next height in the announced progression, after the tying height of 1.86m, is 1.88m. 1.88m, therefore, is the height at which the jump-off must start.

The tie for first was broken in the jump-off when B cleared 1.88m, and A failed that height. B, therefore, was awarded first place and A second place.

- ii. If it concerns any other place, the competitors shall be awarded the same place in the competition.

High Jump And Pole Vault Apparatus

9. **Uprights** - Any style or kind of uprights or posts may be used provided they are rigid. In the High Jump, the uprights should be sufficiently tall to exceed each height to which the bar is raised by at least 10cm. For the Pole Vault, cantilevered uprights shall be used. For the Pole Vault, it is required that the metallic structure of the base of the uprights be covered with padding of appropriate material in order to provide protection to an athlete who may land on it.
10. **Crossbar** - The crossbar shall be of fiberglass or other suitable material, circular in cross-section. The diameter of the circular bar shall be at 3cm (\pm 1mm).
11. The crossbar shall consist of three parts: the circular bar and two end pieces, each 30-35mm wide and 15-20cm long, for the purpose of resting on the supports of the uprights. These end pieces shall be hard and smooth. They shall be circular or semicircular with one clearly defined flat surface on which the bar

rests on the crossbar supports (see Figure 7). These flat surfaces may not be higher than the center of the vertical cross-section of the crossbar. The crossbar shall have no bias and, when in place, shall sag a maximum of 2cm for the high jump and 3cm for the pole vault.

SUGGESTED CONTROL: Hang a 3kg weight in the middle of the crossbar when in position. It may sag a maximum of 7cm (High Jump) or 11cm (Pole Vault) with the end pieces and supports remaining in complete contact

12. **Crossbar in the High Jump** - The crossbar shall be not less than 3.98m nor more than 4.02m in length. The distance between the uprights shall not be less than 4.00m or more than 4.04m. The maximum weight of the crossbar shall be 2.0kg.
13. **Crossbar in the Pole Vault** - The crossbar shall not be less than 4.48m nor more than 4.52m in length. The maximum weight of the crossbar shall be 2.25kg.
14. **Indicator Lines** –
 - (a) High Jump: A white line 50mm wide shall be drawn on the ground (usually with adhesive tape or similar material). The edge of the line nearest to the take-off area is drawn along the vertical plane through the edge of the crossbar nearest to the take-off area, and extends for 3 meters on either side of the uprights.
 - (b) Pole Vault: A white line 1cm wide shall be drawn on the ground at right angles to the axis of the runway, such that the edge of the line nearer to the competitor shall coincide with the back end of the box. This line shall be prolonged as far as the outside edge of the uprights, and may also go on the surface of the landing bed. This will facilitate the determination of the zero point and the checking of the uprights.
15. **Supports for Crossbar in the High Jump** - The supports for the crossbar shall be flat and rectangular, 4cm wide and 6cm long. They shall be firmly fixed to the uprights and immovable during the jump, and shall each face the opposite upright. The ends of the crossbar shall rest on them in such a manner that if the crossbar is touched by a competitor, it will easily fall to the ground, either forwards or backwards. The supports shall be the same height above the take-off area immediately below each end of the crossbar.
16. **End Space** - There shall be a space of at least 1cm between the ends of the crossbar and the uprights for the high jump.
17. **Support for Crossbar in Pole Vault** - The crossbar shall rest on pegs so that if it is touched by the competitor or the pole, it will fall easily to the ground in the direction of the landing area. The pegs shall be without notches or indentations

of any kind, of uniform thickness throughout and not more than 13mm in diameter. They must not extend more than 55mm from the uprights, which should extend 35-40mm above the pegs. The distance between the pegs shall not be less than 4.30m or more than 4.37m. The pegs may not be covered with rubber or with any other material that has the effect of increasing friction.

NOTE: *To facilitate the use of a landing area 6m wide (see paragraph 19, below), the pegs supporting the crossbar may be placed upon extension arms attached to the uprights thus allowing the uprights to be placed wider apart, without increasing the length of the crossbar.*

18. **Take-Off Box for Pole Vault** - The box shall be constructed of a suitable material sunk level with the surface of the runway, preferably with rounded upper edges. It shall measure 1m in length measured along the inside of the bottom of the box, 60cm in width at the front end and tapering to 15cm in width at the bottom of the stop board. The length of the box at runway level and the depth of the stop board are determined by the angle of 105 degrees formed between the base and the stop board. The base of the box shall slope from runway level at the front end to a vertical distance below ground level of 20cm at the point where it meets the stop board. The box should be constructed in such a manner that the sides slope outward and end next to the stop board at an angle of approximately 120 degrees to the base. The box should be painted white. If the box is constructed of wood, the bottom shall be lined with 2.5mm sheet metal for a distance of 80cm from the front of the box. Diagrams showing the construction of the pole vault box appear in Figure 5.

19. **Landing Areas** - Where it is feasible, the landing area for the High Jump should measure not less than 6m long (parallel to the crossbar) by 4m wide; for the Pole Vault it should measure not less than 6.15m long (perpendicular to the crossbar) by 6m wide. There shall be a minimum of 5 m of landing surface behind the box. The landing area for the High Jump and Pole Vault should be composed of soft material other than sawdust or shavings of such composition and construction to provide a soft landing. A front pad, similar in material and dimensions to the landing area, may be used to cover the area surrounding the take-off box of the Pole Vault and extending between the standards. In the High Jump, the landing area should be a minimum height of .712m (28 in.); in the Pole Vault, it should be a minimum height of .813m (32 in.) above the take-off. The side of the landing area nearest to the box shall be placed 10-15cm from the box and shall slope away from the box at an angle of approximately 30 degrees. The exposed area to the sides and back of the vault box shall have suitable padding.

RULE 182 HIGH JUMP

1. The uprights or posts shall not be moved during the competition unless the

Referee considers that the take-off or landing pit has become unsuitable. In such a case the change shall be made only after a round has been completed.

2. The competitor must take off from one foot.
3. A competitor fails if:
 - (a) after the jump, the bar does not remain on the supports because of the action of the competitor while jumping, or
 - (b) the competitor touches the ground, including the landing area beyond the vertical plane through the edge of the crossbar nearest to the take-off area, either between or outside the uprights, with any part of the body, without first clearing the bar. If the jumper's foot touches beyond the plane of the uprights while completing a jump, the jump should not be ruled a failure for this reason if no advantage was thereby gained (e.g., the jumper did not use the landing area as a spring device).
 - (c) during or after the jump, the competitor deliberately steadies or replaces the bar.

NOTE: *For specifications of High Jump shoes, see Rule 143.3.*

RULE 183 POLE VAULT

1. (a) Where the standards permit, a competitor may have the uprights or supports moved back, but they may not be moved in the direction of the running or runway, and they may not be moved more than 80cm toward the landing area, from the prolongation of the inside edge of the top of the stopboard.

NOTE: *For Youth Athletics exception, see Rule 302.5(l).*

- (b) Before the competition starts, each vaulter shall inform the official responsible for the event what position of the uprights or supports he or she wants to use, and this information should be recorded on the score sheet. Any competitor who wants to make any changes should immediately inform the official responsible before the uprights have been set in accordance with the initial wishes. Failure to do this must lead to the start of the time limit. See Rule 180.8(d)vi.
2. The take-off shall be from a box made of wood, metal, or other suitable rigid material. The box shall be sunk level with the runway.
3. In order to obtain a better grip, competitors are permitted to use an adhesive substance such as resin or a similar substance on their hands or on the pole dur-

ing the competition. The use of tape on the hands or fingers shall not be allowed except in case of need to cover an open cut. Gloves may not be used. The use of a forearm cover to prevent injuries shall be allowed. See Rule 183.8 in regard to the use of tape on pole.

4. Competitors may use their own poles. No competitor may use any of the private poles except with the consent of the owner.
5. It shall be a failure if:
 - (a) after the vault, the bar does not remain on the pegs because of the action of the competitor while vaulting; or
 - (b) the vaulter touches the ground, including the landing area beyond the vertical plane of the upper part of the stopboard, with any part of the body or with the pole without first clearing the bar; or
 - (c) the vaulter, after leaving the ground, places the lower hand above the upper or moves the upper hand higher on the pole; or
 - (d) during the vault, the vaulter steadies or replaces the bar with his/her hand(s).

NOTE 1: *It is not a foul if the vaulter runs outside the white lines marking the runway at any point.*

NOTE 2: *It is not a foul solely because the pole touches the vaulting pad, in the course of an attempt, after properly being planted in the box.*

6. After the release of the pole, no one including the athlete shall be allowed to touch the pole unless it is falling away from the bar or uprights. If it is touched, however, and the official in charge of the Pole Vault is of the opinion that, but for the intervention, the bar would have been knocked off, the vault shall be regarded as a failure.

NOTE: *It is not a failure if the pole passes underneath the cross bar in the event the competitor clears the bar. It is not a failure if a competitor leaves the ground for the purpose of making a vault and fails to clear the bar, provided he/she does not otherwise commit a foul.*

7. If, in making an attempt, the competitor's pole is broken, it shall not be counted as an attempt or a failure and the vaulter shall be awarded a new trial.

NOTE: *For specifications of Vaulting Pole, Landing Pits, Runways, and Apparatus for High Jump and Pole Vault, see Rules 181.9-19.*

8. **Pole Construction** - The pole may be of any material or combination of materials and of any length or diameter, but the basic surface must be smooth. At the grip and at the bottom end, the pole may have protective layers of tape.

RULE 185 LONG JUMP

1. The length of the run is unlimited. Each competitor shall be credited with the best of all his/her jumps.

2. The jump or take-off should be from a board.

NOTE: *For Youth Athletics specifications, see Rule 302.5(d).*

3. The measurement of the jumps shall be made at right angles from the take-off line, or the take-off line extended, to the nearest break in the landing area made by any part of the body of the competitor (including shoes and uniform).

NOTE: *In order to insure correct measurement of any jump, it is essential that the surface of the sand in the landing area should be accurately controlled so as to be level with the top of the take-off board. For measurements, see Rule 148.2(b)i.*

4. It shall be counted as a failure or foul if any competitor:

(a) with any part of the body, whether running up without jumping or in the act of jumping:

i. touches the ground on the runway immediately beyond the take-off line, as evidenced by a mark in the plasticine or other marker material, or

ii. touches the ground between the marker material or the take-off line extended and the landing area; or

(b) If no plasticine or other marker material is being used, breaks the plane of the take-off line with the foot; or

(c) takes off to either side of the take-off board, whether beyond or behind the take-off line extended; or

(d) in the course of landing, touches the ground outside the landing area nearer to the take-off line extended than the nearest break in the landing area made by the jumper; or

(e) when leaving the landing area, makes first contact by foot, which is considered leaving, with its border or the ground outside the pit closer to the take-off line than the nearest break made in the sand.

(f) employs any form of somersaulting prior to contact in the landing area.

NOTE 1: *Except as described in Rule 185.4(c), if the competitor takes off before reaching the take-off line, it shall not for that reason be counted a failure or foul.*

NOTE 2: *It is not a foul if the competitor runs outside the white lines marking the runway at any point.*

NOTE 3: *It is not a foul if, in the course of landing, the competitor touches the ground outside the landing area, with any part of their body, unless such contact is the first contact or contravenes Rule 185.4(d).*

5. It is recommended that the distance between the take-off board and the end of the landing area shall be at least 10m. The landing area shall have a minimum width of 2.75m, a maximum width of 3m, and a minimum depth of 30cm and should be filled with soft damp sand to the same level as the take-off board. When possible, the landing area shall be so placed so that the middle of the runway, extended, coincides with the middle of the landing area.
6. **Construction** - The take-off board shall be rectangular, made of wood or other suitable rigid material, and sunk level with the runway and the surface of the landing area, the edge of which near the landing area shall be called the take-off line. The take-off board shall measure 1.22m (± 0.01 m) long, 20cm (± 2 mm) wide and maximum 10cm deep, and should be not less than 1.0m nor more than 3.0m from the landing area. It shall be painted white. Immediately beyond the take-off board on the side nearer to the landing area there shall be placed a board of plasticine or other suitable material for recording the athlete's footprints.
7. **Plasticine Indicator Board** - The indicator should consist of a rigid board, 10cm (± 2 mm) wide and 1.22m (± 0.01 m) long, made of wood or other suitable rigid material and painted in a contrasting color to the take-off board. The board shall be mounted in a recess or shelf in the runway on the side of the take-off board nearer the landing area. The surface shall rise from the level of the take-off board to a height of 7mm (± 1 mm). The edges shall either slant at an angle of 45 degrees with the edge nearer to the runway covered with a plasticine layer, with a third contrasting color when possible, along its length 1mm thick or shall be cut away such that the recess, when filled with plasticine, shall slant at an angle of 45 degrees. The upper part of the indicator board shall also be covered by a plasticine layer for approximately the first 10mm and along its entire length. See Figures 6a and 6b. When mounted in the recess, the board must be sufficiently rigid to accept the full force of the athlete's foot. The surface of the board beneath the plasticine shall be of a material in which the spikes of an athlete's shoe will grip and not skid. The layer of plasticine shall be smoothed off by means of a roller or suitably shaped scraper for the purpose of removing the footprints of the competitors.

NOTE: *When weather conditions dictate, particularly in very hot or wet weather, the plasticine boards should be protected from the elements before they are installed.*

8. **Wind Measurement** - See Rules 163.10 through 163.14 for wind gauge placement, operation and reading requirements.

RULE 186 TRIPLE JUMP

1. The competitor shall first land upon the same foot as that from which he/she has taken off. The other foot shall be used for the second landing, and either or both feet shall be used for the third landing. It shall not be considered a failure or foul if the competitor, while jumping, touches the ground with the "sleeping" leg.
2. The placement of the take-off board should depend upon the caliber of the competition. In major competition for men, the take-off board for the Triple Jump should be placed at least 13m from the landing area. In major competition for women, it is recommended that the take-off board for the Triple Jump be placed at least 10m from the landing area.
3. It is recommended that the distance between the take-off board and the end of the landing area be at least 21m.
4. In all other respects, the rules for the Long Jump shall govern.
NOTE: *For specifications of apparatus, see Rule 185.6-7. For measurements see Rule 148.2(b)i.*

RULE 187 THROWING EVENTS - GENERAL RULES

1. In all throwing events from a circle, the throw must commence from a stationary position within the circle. A competitor is allowed to touch the inside of the iron band or stopboard. However, it shall be a foul throw if, after commencing the throw and prior to its completion, the competitor:
 - (a) does not start from a stationary position within the circle,
 - (b) touches the top of the iron band or stopboard or painted circle,
 - (c) touches with any part of the body the surface outside the circle,
 - (d) improperly releases the implement, or
 - (e) leaves the circle improperly or before the implement has landed.
2. In all throwing events, a competitor who has not otherwise committed a foul may interrupt a trial once started, may lay the implement down, inside or outside the runway or circle, may leave the runway or circle before returning to the

runway or to a stationary position in the circle, and begin a fresh trial. When leaving a circle, the competitor must do so from the rear half as provided in Rule 187.5.

NOTE: *All moves permitted in this paragraph shall be included in the maximum time for a trial given in Rule 180.8(d).*

3. No device of any kind, which in any way assists a competitor when making a throw, shall be allowed.
 - (a) The taping of individual fingers or multiple fingers together is not allowed. However, taping of individual fingers is permissible in the Hammer and Weight Throws. The use of tape on the hand shall not be allowed except in the case of need to cover an open cut. The use of tape on the wrist is allowed. The tape should be shown to the Chief Judge of the event before the event starts.
 - (b) The use of gloves is not allowed, except for protection of the hands in the Hammer and Weight Throw. The gloves must be smooth on the back and the front and the glove fingertips, other than the thumb, shall be cut to expose the fingers. Taping the glove to or at the wrist is permitted.
 - (c) In order to obtain a better grip, competitors may use a suitable substance on their hands only. Additionally, in the Hammer Throw and Weight Throw, such substance may be applied to the gloves, and in the shot put, such substance may be applied to the shot and the neck area.
 - (d) A belt of leather or other suitable material may be worn at the waist by a competitor to protect the spine or back from injury.
 - (e) In the Javelin Throw, a competitor may wear elbow protection.
 - (f) A competitor may wear other protection, such as a knee support, provided it is approved by the Games Committee prior to the start of competition or Referee during the competition.
 - (g) The use of weights attached to the body is not permitted.
 - (h) For throws made from a circle, a competitor may use one marker only. This marker may be placed only on the ground in the area immediately behind or adjacent to the circle. The marker must be temporary, in position only for the duration of each competitor's own trial, and shall not impair the view of the judges. No personal markers may be placed in or beside the landing area.

NOTE: *For Youth Athletics, see Rule 302.5(f).*

4. Competitors may not spray or spread any substance within the circle or on their shoes or roughen or smooth the surface of the circle.
5. The competitor must not leave the circle until the implement has touched the landing surface. When leaving the circle, the competitor's first point of contact with the top of the iron band and/or the surface outside the circle must be completely behind the white line that is drawn outside the circle running theoretically through the center of the circle. The first contact with the top of the iron band or the ground outside the circle is considered leaving.
6. For a throw to be valid in the Shot Put, Hammer Throw, Weight Throw, and Discus Throw, the implement, excluding the handle and wire, and connection, as appropriate, must, in contacting the ground when it first lands, be completely within the inner edges of the lines of the sector (see Rule 187.22). For the javelin see Rule 187.24 and 193.1c.

NOTE: *A throw may be valid even if any part of the implement has touched the cage provided no other rule is infringed.*

7. The measurement of each throw shall be made immediately after the throw.
 - (a) In the Discus, Shot Put, Weight Throw and Hammer Throw, the measurement of each throw shall be made from the nearest mark made by the fall of the discus, shot, weight, or head of the hammer to the inside of the circumference of the circle along a line from the mark to the center of the circle.
 - (b) In the Javelin Throw, the measurement of each throw shall be made from where the tip of the metal head first struck the ground to the inside edge of the arc along a line from the point of the fall to the center of the circle of which the arc is a part.

NOTE: *For Youth Athletics exception, see Rule 302.5(i).*

8. Implements must be carried back to the runway or circle and never thrown back.
9. All Hammer, Discus, and Weight Throws shall be from an enclosure or cage to insure the safety of spectators, officials, and competitors. (See Rule 190).

NOTE: *For specifications of official implements, see Rules 188-195. For specifications of circle, see Rule 187.18-187.20.*
10. In all throwing event competitions, Championship and non-championship, implements should be provided by the Games Committee. However, implements that comply with required specifications and belong to individuals may also be accepted by the Games Committee as implements provided by it. And as so accepted, they shall lose their identity as privately owned implements for the duration of the competition and no modification may be made to these

implements during the competition. No additional implements may be taken to the area for competition or practice.

NOTE: *For Youth Athletics exception, see Rule 302.5(h). For Masters exceptions, see Rule 332.3(f).*

11. If an implement does not comply with required specifications, or if it has not been properly certified for use when such certification is required, it should be impounded by the certifying official or the Chief Judge of the event until the end of the competition of the field event in which it was intended to be used.
12. If, as a result of material damage, an implement becomes a safety hazard or if it ceases to comply with specifications (e.g., a loose point or a cut hammer wire), it should be impounded. If it is practicable to do so, it should be repaired and re-certified so that it may be used in the competition. If the implement cannot readily be repaired, it shall remain impounded until the conclusion of the competition, except that it may be returned to a competitor who has concluded throwing.
13. A competitor in a field event shall be disqualified if he/she uses an implement or equipment that has been illegally altered after having been officially inspected or if he/she uses an unapproved or illegal implement or equipment. All records, performances, or points scored with the use of such implement or equipment shall be null and void.
NOTE: *The Games Committee shall establish a reasonable schedule for checking implements to ensure a fair and timely competition. When personal implements are being accepted, it is recommended that an athlete not submit more than three implements per event for certification.*
14. In the case of an American or World Record, the implement should be impounded and not used until it has been re-certified for the record.
15. **Landing Area** - The landing area for outdoor throwing events shall consist of suitable material with an even surface soft enough to ensure that the place of the initial imprint of the implement can be clearly established by the judges. These areas shall be on natural surfaces, which shall not be laid down on concrete, asphalt, wood or other hard surfaces that would have the tendency to decrease the landing surface's absorption of the kinetic energy of the implement.
16. **Inclination of the Sector** - The area within the sector on which the implement lands shall be on approximately the same plane as that of the circle or runway with a maximum allowance of 1:1000 in the throwing direction.

17. Sector Flags

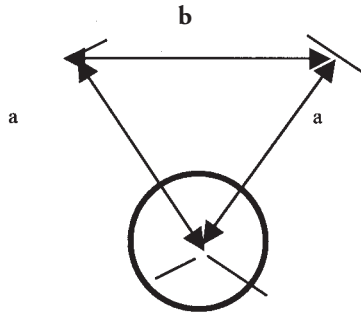
- (a) **Construction** - Sector flags should be entirely of metal.

- (b) **Measurements** - The flags should be rectangular in shape, measuring about 20x40cm with the standard 8mm in diameter and not less than 60cm in height above the ground.

For Throws From a Circle

18. **Construction** - The circle shall be made of a band of iron, steel, or other suitable material, painted white, the top of which shall be sunk flush with the ground outside. The ground surrounding the circle may be concrete, synthetic, asphalt, wood, or any other suitable material. The surface within the circle shall be packed hard, firm, and level, and 2cm (\pm 6mm) lower than the upper edge of the rim of the circle. The surface within the circle may be constructed of concrete or similar material. In indoor competitions on a wood floor surface, the circle may be marked on the floor.
19. A line 5cm wide shall be drawn theoretically through the center of the circle, extended no less than 75cm on each side, to designate the front and rear halves of the circle. The extensions outside the circle should be marked on the ground, but the line should not be marked in the circle. See diagrams, Figure 8.
20. **Dimensions** - The metal circle shall be 6mm thick and 76mm high sunk flush with the ground outside. The inside diameter of the circle shall measure 2.135m (7 ft.) for the Shot Put, Weight Throws, and Hammer Throw, and 2.50m for the Discus Throw.
21. **Shot Put Stop Board** - The stop board shall be made of wood or other suitable material in the shape of an arc so that the inner edge coincides with the inner edge of the rim of the circle. The stop board shall be centered midway between the sector lines, and be so made that it can be firmly fixed to the ground. The board shall measure not less than 11.2cm wide, and have a chord between the ends of the board of 1.15m to 1.21m (\pm 0.01m) in length. The board shall be 10cm (\pm 2mm) high in relation to the level of the inside of the circle. The board shall be painted white. A diagram showing the layout of the Shot circle appears in Figure 9.
22. **Sector** - The sector within which all throws from a circle must fall shall be clearly marked on the ground with lines 5cm wide, the inner edges of which shall form the sector boundary. These sector lines are radii from the center of the circle. The outer ends of the radii should be marked with flags. Sectors shall be 34.92 degrees (\pm 0.1 degree).
- NOTE 1:** *Flags or continuous barriers should be erected parallel to and at least 3m outside of the sector lines for their full length.*
- NOTE 2:** *For description of the landing sector for indoor competitions and exception with limited space indoors, see Rule 221.*

As an aid in marking and checking the 34.92-degree sector lines, the table below may be used (for greater accuracy, use the longest distance the field will allow). In this table, A indicates the distance from the center of the circle to a point on each of the two sector lines and B indicates the distance between those two points.



GENERAL SECTOR

a = DISTANCE OUT SECTOR LINES FROM CENTER OF CIRCLE

b = DISTANCE BETWEEN SECTOR LINES

A (meters)	B (meters)
5	3.00
10	6.00
15	9.00
20	12.00
25	15.00
50	30.00
75	45.00
100	60.00

For the Javelin Throw

- Arc** - All javelin throws shall be made from an arc of a circle drawn with a radius of 8m at the end of a runway 4m wide. This arc shall consist of a painted stripe or made of wood or other similar material similar material 7cm in width. It shall be white and sunk flush with the ground. Lines shall be drawn from the extremities of the arc at right angles to the parallel lines marking the runway. These lines should be 75cm in length, from the inner edge of the runway line, and 7cm in width.
- Sector** - The landing sector shall be marked with white lines 5cm wide such that the inner edges of the lines, if extended, would pass through the two intersec-

tions of the inner edges of the arc and the parallel lines marking the runway and intersect at the center of the circle of which the arc is part (A). (See Figure 11). The end of the sectors may be marked by flags.

NOTE: *Flags or continuous barriers should be erected parallel to and at least 3m outside of the sector lines for their full length*

The sector for the javelin can be laid out by making the distance between the sector lines one-half the distance from the center of the circle from which all measurements are made by using the table below:

DISTANCE FROM POINT A ALONG SECTOR LINE (METERS)	DISTANCE BETWEEN INSIDE OF SECTOR LINES (METERS)
8.00	4.00
20.00	10.00
40.00	20.00
50.00	25.00
60.00	30.00
75.00	37.50
100.00	50.00

RULE 188 PUTTING THE SHOT

1. The put shall be made from a circle of which the inside diameter shall measure 2.135m (7 ft.).
2. The shot shall be put from the shoulder with one hand only. At the time the competitor takes a stance in the ring to commence a put, the shot shall touch or be in close proximity to the neck or chin, and the hand shall not be dropped below this position during the act of putting. The shot must not at any time be brought behind the line of the shoulders. Cartwheeling techniques are not permitted.

NOTE: *For measurement, see Rule 148.2(b)i, and 187.9(a). For details of competition, see Rules 180 and 187. For specifications of circle, stopboard, and sectors, see Rules 187.18-187.22.*

3. **Construction** - The shot shall be a solid sphere or iron, brass, or any metal not softer than brass, or a shell of such metal filled with lead or other material. It must be spherical in shape, its surface shall have no roughness, and the finish shall be smooth. To be smooth, the surface average height must be less than 1.6µm, *i.e.*, a roughness number N7 or less.

NOTE: *For exceptions for Indoor shot construction see Rule 221.4*

4. The shot shall conform to the following specifications:

Name	16 lb	6 kg	12 lb	5 kg	4 kg	3 kg	6 lb
Nominal Wt. kg	7.26	6.00	5.45	5.00	4.00	3.00	2.72
Record Wt. Min. kg	7.260	6.000	5.443	5.000	4.000	3.000	2.720
Diameter min. mm	110	105	98.4	100	95	85	-
Diameter max. mm	130	125*	117.5	120*	110*	110*	-

**The maximum diameter for all outdoor shots used in Masters competition shall be 130mm for men and 120mm for the women 4kg.*

***For Masters competition, the minimum weight is 5.450 kg.*

RULE 189 THROWING THE DISCUS

1. The discus shall be thrown from a circle of which the inside diameter shall measure 2.50m.

NOTE: *For details of competition, see Rules 180 and 187. For specifications of circle and sectors see Rules 187.18-20 and Rule 187.22. For throwing cage specification see Rule 190. For measurement, see Rules 148.2(b)i, 187.7(a).*

2. Construction

- (a) The body of the discus may be solid or hollow and shall be made of wood or other suitable material, with a metal rim, the edge of which shall be rounded into a true circle. There may be metal plates set flush into the center of the sides. In the alternative, the discus may be made without metal plates, provided that the measurements and total weight of the implement correspond to the specifications.
- (b) Each side of the discus shall be identical and shall be made without indentations, projecting, or sharp edges. The sides shall taper in a straight line from the beginning of the curve of the rim to a circle a distance of 25mm, minimum, and 28.5mm, maximum, from the center of the discus.
- (c) The discus, including the surface of the rim, shall have no roughness and the finish shall be smooth and uniform throughout. The sides and rim of the discus shall be intact, showing no signs of significant cracks, gouges or breakage that would reduce the integrity of the side or discus as a whole or provide the athlete with an improved grip.

3. The discus shall conform to the following specifications:

Name	2kg	1.75kg	1.6kg	1.5kg	1 kg	0.75kg
Nominal Wt. kg	2.0	1.75	1.6	1.5	1.0	0.75
Minimum Record Wt. kg	2.000	1.750	1.600	1.500	1.000	0.750
Outside Diameter min. mm	219	210	209	200	180	166
Outside Diameter max. mm	221	212	211	202	182	169
Diameter of Flat Area min. mm	50	50	50	50	50	50
Diameter of Flat Area max. mm	57	57	57	57	57	57
Thickness at center min. mm	44	41	40	38	37	33
Thickness at center max. mm	46	43	42	40	39	37
Thickness of Rim at 6 mm from edge, min. mm	12	12	12	12	12	10
Thickness of Rim at 6mm from edge, max. mm	13	13	13	13	13	13

A diagram illustrating these specifications appears in Figure 10.

RULE 190 HAMMER, DISCUS, AND WEIGHT THROWING CAGE

It is required that all Hammer, Weight, Superweight, Ultraweight, and Discus Throws be from an enclosure or cage to ensure the safety of spectators, officials, and competitors. The cage specified in this rule is intended for use in a major stadium when the event takes place outside the arena with spectators present or when the event takes place in the arena with other events taking place at the same time. Where this does not apply, a simpler construction may be satisfactory, provided it ensures safety. See Figures 12-13, and IAAF Rules 190 and 192, for suggested specifications of cages for the Hammer and Discus.

NOTE 1: *An effective hammer cage should have moveable panels at the front where the operative positions of these panels are marked, either permanently or temporarily, on the ground. These should be constructed so that the inside edge of either panel can be moved to a point 1.5m inside the sector line. If the panels are too short to reach 1.5m in, then set it for the maximum distance in the sector. There are two options at this point.*

A. This setup corresponds to using an existing pre-2007 NCAA cage (see Figure 13). The support to which these moveable panels are attached should be no closer than 2.85m outside the sector line or about 6.1m from the center of the circle). Each of the moveable panels should be at least 4.35m in width. The height of the moveable panels and at least the first stationary panels should be 6.15m. The netting for the cage panels should be suspended and not tied tightly in order to absorb the impact of the Hammer and reduce the risk of the Hammer rebounding. The opening should be 6m wide, measured from the inner edge of the cage or pivoted netting as appropriate, and positioned 7m in front of the center of the throwing circle. However, the width of opening at the front of the cage is less critical than where the opening is placed. Thus the distance of the panels from the center of the circle is important. The panels are alternated for left- and right-handed throwers. The panel opposite to the

direction of spin, i.e., the left-hand panel, for a right-handed thrower, is placed inside the sector line 1.5m. If shorter than this distance, then the gate should be perpendicular to the sector line. The end of the other gate should be about 1.1m off the sector line.

B. An alternate cage is the IAAF cage and is recommended for new construction (See Figure 12).

NOTE 2: *The cage side, particularly alongside the track, may be lengthened and/or increased in height to provide greater protection to athletes competing on the adjoining track during a discus competition.*

RULE 191 THROWING THE HAMMER

1. The competitor in the starting position, prior to the preliminary swings or turns, is permitted to rest the head of the hammer on the ground inside or outside the circle. In making a throw, the competitor may choose to assume any starting position and shall use both hands, holding the hammer exclusively by the handle.
2. It shall not be considered a foul throw if the head of the hammer touches the ground or the top of the iron band. The competitor may stop and begin the throw again, provided no other rule has been breached.
3. If the hammer breaks during the throw or while in the air, it shall not count as a throw provided it was made in accordance with the rules. In the event that the competitor thereby loses balance and commits a foul, it shall not be charged and the athlete shall be awarded a new trial.
4. **Construction** - The hammer shall consist of three parts: a metal head, a wire and a handle.
5. **Head** - The head shall be solid iron or other metal not softer than brass, or a shell of such metal filled with lead or other solid material so that no internal movement is detected by feel, sight or sound. It must be spherical in shape and smooth. If a filling is used, it must be inserted in such a manner that it is immovable and that the center of gravity shall not be more than 6mm from the center of the sphere.
6. **Wire** - The wire shall be a single unbroken and straight length of spring wire not less than 3mm, and shall be such that it cannot stretch appreciably while being thrown. The wire may be looped at one or both ends as a means of attachment.
7. **Handle** - The handle shall be rigid and without hinging joints of any kind, may have a curved or straight grip and shall have a maximum length inside of

110mm. Per IAAF specifications, the minimum handle breaking strength shall be 8kN (800kgf) and the handle shall be designed such that the total deformation of the handle under a tension load of 3.8kN shall not exceed 3mm. See Figure 14.

NOTE: *The hammer handle may have any configuration that meets these specifications.*

8. **Connection** - The wire shall be connected to the head by means of a swivel which may be either plain or ball bearing. The handle shall be connected to the wire by means of a loop in such a manner that it cannot be turned within the loop of the wire to increase the overall length of the hammer. A swivel may not be used.
9. The hammer shall conform to the following specifications:

Name	16 lb	6 kg	12 lb	5 kg	4 kg	3 kg
Nominal Wt. kg	7.26	6.00	5.45	5.00	4.00	3.00
Min. Record Wt. kg	7.260	6.000	5.443	5.000	4.000	3.000
Diameter min. mm	110	105	98.4	100	95	85
Diameter max. mm	130	125	117.5	120	110	100
Length* min. mm	1175	1175	1175	1165	1160	1160
Length* max. mm	1215	1215	1215	1200	1195	1195
Loop Size max. mm	19.5	19.5	19.5	19.5	19.5	19.5

** Length of Hammer is measured from the inside of the handle to the bottom of the ball. Pressure should be applied to make sure the wire is straight.*

***For masters competition, the minimum weight is 5.450 kg.*

Center of Gravity of Head: Not more than 6mm from the center of the sphere, *i.e.*, it must be possible to balance the head, less wire and grip, on a horizontal sharp-edged orifice 12mm in diameter.

RULE 193 THROWING THE JAVELIN

1. Requirements for a valid throw:
 - (a) The javelin must be held by the grip with one hand only, so that the little finger is nearest to the point and the thrower's last contact with the javelin shall be with the grip.
 - (b) At no time after preparing to throw until the javelin is in the air may the competitor turn completely around so that his/her back is towards the throwing area. The javelin shall be thrown over the shoulder or upper part of the throwing arm and may not be slung or hurled.
 - (c) No throw shall be valid or counted in which the tip or the point of the metal head, in contacting the ground when it first lands, is not completely

within the inner edges of the lines of the sector before any other part of the javelin, or where the competitor touches with any part of the body, the arc as marked or the lines drawn from the extremities thereof at right angles to the parallel lines, or the ground beyond the arc or such lines.

NOTE: *For Youth Athletics exception, see Rule 302.5(i).*

- (d) Competitors may not in the course of an attempt touch with any part of their body the lines which mark the runway or the ground outside.
- (e) Competitors shall not leave the runway until the javelin has touched the landing surface. When leaving the runway, the competitor's first point of contact with the parallel lines or the surface outside the runway must be completely behind the arc and the lines drawn from its extremities. The first contact with the parallel lines or the surface outside the runway is considered leaving.

A competitor shall also be considered to have left the runway in a valid manner once the implement has touched the ground and the competitor makes contact with or behind an identified line 4m back from the ends of the throwing arc, or if a competitor is already behind such line and inside the runway at the moment the implement touches the ground.

- 2. If the javelin breaks at any time during the course of the throw, it shall not count as a trial provided the throw was made in accordance with the rules. If the competitor thereby loses his/her balance and contravenes any part of this Rule, it shall not be counted as a foul throw and the competitor shall be awarded a new trial.
- 3. If a thrower improperly releases the javelin in making an attempt, it shall be recorded as a foul throw.

NOTE: *For details of competition, see Rules 180 and 187.*

For measurements, see Rules 148.2(b)i, 187.7(b).

For specifications of runway, arc, and sector, See Rules 187.23-24.

- 4. **Construction** - The javelin shall consist of three main parts: a head, a shaft, and a cord grip. The shaft may be solid or hollow and shall be constructed of metal or other suitable material so as to constitute a fixed and integrated whole. The shaft shall have fixed to it a metal head terminating in a sharp point.
- 5. The javelin shall conform to the specifications set forth in the table that begins on the following page.
- 6. The grip, which shall cover the center of gravity, shall not exceed the diameter of the shaft by more than 8mm. It may have a regular non-slip pattern surface but without thongs, notches, or indentations of any kind. The grip shall be of uniform thickness.

7. The cross-section shall be regularly circular throughout (see Note 1). The maximum diameter of the shaft shall be immediately in front of the grip. The central portion of the shaft, including the part under the grip, may be cylindrical or slightly tapered toward the rear, but in no case may the reduction in diameter, from immediately in front of the grip to immediately behind, exceed 0.25mm. From the grip, the javelin shall taper regularly to the tip at the front and the tail at the rear. The longitudinal profile from the grip to the front tip and the tail shall be straight or slightly convex (see Note 2), and there must be no abrupt alteration in the overall diameter, except immediately behind the head and at the front and rear of the grip, throughout the length of the javelin. At the rear of the head, the reduction in the diameter may not exceed 2.5mm and this departure from the longitudinal profile requirement may not extend more than 30cm behind the head.

NOTE 1: *While the cross-section should be circular, a maximum difference between the largest and the smallest diameter of 2% is permitted. The mean value of these two diameters must correspond to the specification of a circular javelin.*

NOTE 2: *The shape of the longitudinal profile may be quickly and easily checked using a metal straightedge at least 50cm long and two feeler gauges 0.20mm and 1.25mm thick. For slightly convex sections of the profile, the straightedge will rock while being in firm contact with a short section of the javelin. For straight sections of the profile, with the straightedge held firmly against it, it must be impossible to insert the 0.20mm gauge between the Javelin and the straightedge anywhere over the length of contact. This shall not apply immediately behind the joint between the head and the shaft. At this point it must be impossible to insert the 1.25mm gauge.*

Name	800 g	700g	600 g	500g	400 g
Nominal Wt. G	800	700	600	500	400
Minimum Record Wt. G	800	700	600	500	400
Overall Length min. mm	2600	2300	2200	2000	1850
Overall Length max. mm	2700	2400	2300	2100	1950
Length – Metal Head min. mm	250	250	250	220	200
Length – Metal Head max. mm	330	330	330	270	250
Dist. From tip to CG min. mm	900	860	800	780	750
Dist. From tip to CG max. mm	1060	1000	920	880	800
Diameter of Shaft at thickest point min. mm	25	23	20	20	20
Diameter of Shaft at thickest point max. mm	30	28	25	24	23
Width of cord grip, min. mm	150	150	140	135	130
Width of cord grip max. mm	160	160	150	145	140
Taper Meas. from Tip mm	150	150	150	150	125
Taper Meas. from Tail mm	150	150	150	150	125
Diameter at Tip Taper Measurement Point	<0.80dia*	<0.80dia*	< 0.80dia	<0.80dia*	<.80dia*
Diameter at Tail Taper Measurement Point	>0.40dia*	>0.40dia*	> 0.40dia	>0.40dia*	>0.40dia
Diam. at Mid Point Tip to CG	<0.90dia*	<0.90dia*	< 0.90dia	<0.90dia*	<0.90dia
Diam. at Mid Point Tail to CG	>0.90dia*	>0.90dia*	> 0.90dia	>0.90dia*	>0.80dia
Tail Diameter min mm	3.5	3.5	3.5	3.5	3.5

* *diam is the maximum diameter for the implement.*

8. The javelin shall have no mobile parts or other apparatus that, during the throw, could change its center of gravity or throwing characteristics.
9. The surface of the shaft shall have no dimples or pimples, grooves or ridges, holes or roughness, and the finish shall be smooth and uniform throughout. To be smooth, the surface average height must be less than 1.6 μ m (a roughness number of N7 or less). Tape or any other substances shall not be placed on the javelin. The head shall be constructed completely of metal. It may contain a reinforced tip of other metal alloy welded on to the front end of the head provided that the completed head is smooth and uniform along the whole of its surface.
10. Mini Javelin: The shaft, grip and fins shall be made out of plastic. The tip shall be made of soft rubber with a blunt, rounded end. The fins shall be flat (without protrusions or roughness) and shall be perpendicular to the surface of the javelin. The nominal weights shall be 300g, 400g and 500g. All shall conform to the following specifications:

Overall Length min. mm	685
Overall Length max. mm	705
Length of Head min. mm	84
Length of Head max. mm	94
Tip Diameter at largest point, min. mm	37
Tip Diameter at largest point, max. mm	43
Distance from tip to CG min. mm	365
Distance from tip to CG max. mm	380
Diameter of Shaft forward of grip min. mm	30
Diameter of Shaft forward of grip max. mm	38
Diameter of Shaft behind grip min. mm	24
Diameter of Shaft behind grip max. mm	30
Diameter of Shaft at grip min. mm	34
Diameter of Shaft at grip max. mm	40
Width of grip min. mm	99
Width of grip max. mm	109
Location of front of grip from tip of tail min. mm	322
Location of front of grip from tip of tail max. mm	332
Number of Fins	4
Fin Length min. mm	162
Fin Length max. mm	168
Fin diameter (peak to peak opposing fins) min. mm	95
Fin diameter (peak to peak opposing fins) max. mm	105

RULE 195 THROWING THE WEIGHT

1. In making a throw, the competitor may choose to assume any starting position and shall use both hands, holding the weight exclusively by the handle.
2. In all other respects, the rules for the Hammer Throw (Rule 191) shall govern.
3. **Construction** - The weight shall consist of three parts: a head, a handle, and a connection assembly which may contain a harness.
4. **Head** - The head shall be a solid sphere or a spherical bladder.
 - (a) The solid sphere shall be made of a metal not softer than brass, or of a shell of such metal or plastic filled with lead or other material, which will not deform on impact. If a filling is used, it must be inserted in such a manner that it is immovable and that the center of gravity shall be not more than 9mm from the center of the sphere. The maximum diameter of a sphere with a shell of plastic shall be no more than 15mm larger in diame-

ter than the corresponding all metal implement and may only be used for indoor competitions. See table in Rule 195.8 for specifications.

- (b) Where indoor facilities dictate and for weights lighter than 56 lbs., a spherical bladder head may be used. The spherical bladder shall be made of a synthetic material which will return to its shape after impact. The bladder shall be filled with lead shot or other suitable material. The bladder shall be surrounded by a harness and have no maximum diameter requirement.
5. **Handle** - The handle shall be made of round steel rod not to exceed 12.7mm in diameter, bent in a triangular shape so that no side exceeds 190mm nor is smaller than 100mm, inside measurement. A handle with no permanent connection point shall have two sides of equal length and the third side of less than or equal length. When the overall length of the implement is measured, the equal and longest sides must form the vertical sides of a triangle. The handle must be rigid and not show evidence of elasticity or malformation after being thrown.
6. **Connection** - The handle shall be connected either directly to the head or to a harness.
- (a) The direction connection shall be by means of no more than two steel links (loops), whose diameters shall not exceed 9.5mm. The handle shall be connected to the steel links by a loop; a swivel may not be used. The head may be connected to the links by means of a swivel that may be either plain or with ball bearings for the solid sphere implement. For the plastic filled implement, a swivel is allowed between the ball and the handle.
 - (b) The connection to a harness for the bladder type implement shall be by means of no more than two steel links (loops), whose diameter shall not exceed 9.5mm and a swivel may be placed between the two links. The harness shall have a minimum of four straps, sewn together to form a sling. Netting of any kind shall not be used to form the harness. The harness must not show evidence of elasticity or malformation after the implement has been thrown.
7. **Length** - The overall length of the complete implement as thrown, from the bottom surface of the head to the inside surface of the handle (grip) shall not exceed 40.64cm at any time.

NOTE: *The overall length for Masters is 41.00cm.*

8. The weight shall conform to the following specifications:

Name	56 lb	44 lb	35 lb	25 lb	20 lb	16 lb	12 lb
Nominal Weight kg	25.40	20.00	15.88	11.34	9.08	7.26	5.45
Min. Record Wt. kg	25.400	20.000	15.880	11.340	9.080	7.260	5.450
Diameter min. mm	-	-	145	130	120	110	100
Diameter max. mm	-	-	165	150	140	130	120

NOTE: *Maximum diameter for Masters indoor implements is 15mm larger.*

9. **Ultraweight:** The implement consists of a weight with a handle. The overall length of the handle, from the inside surface of the grip to the body of the weight, shall not exceed 15.24cm.

The minimum weights for the implements are:

98# - 44.50kg; 200# - 90.80kg; 300# - 136.10kg.

**SECTION IV
COMBINED EVENTS**

**RULE 200
EVENTS - GENERAL RULES**

1. Competition for men:

- (a) The Outdoor Pentathlon, which shall be conducted on one day in the following order:

Long Jump
Javelin Throw
200 Meters
Discus Throw
1500 Meters

- (b) The Decathlon, which shall be conducted on two consecutive days in the following order:

First Day:	100 Meters Long Jump Shot Put High Jump 400 Meters
Second Day:	110 Meter Hurdles Discus Throw Pole Vault Javelin Throw 1500 Meters

- (c) The Weight Pentathlon, which shall be conducted on one day (see Rule 201).

NOTE: *For indoor combined event definition, see Rule 222.1.*

2. Competition for women:

- (a) The Outdoor Pentathlon, which shall be conducted on one day in the following order:

100 Meter Hurdles
High Jump
Shot Put
Long Jump
800 Meters

- (b) The Heptathlon, which may be conducted on the same day or on two consecutive days, in the following order:

First Day:	100 Meter Hurdles
	High Jump
	Shot Put
	200 Meters
Second Day:	Long Jump
	Javelin Throw
	800 Meters

- (c) The Decathlon, which shall be conducted on two consecutive days in the following order:

First Day:	100 Meters
	Discus Throw
	Pole Vault
	Javelin Throw
	400 Meters
Second Day:	100m Hurdles
	Long Jump
	Shot Put
	High Jump
	1500 Meters

NOTE: *For indoor combined event definition, see Rule 221.2.*

3. The Rules of Competition of USATF for each event shall apply, with the following exceptions:
- (a) In the Long Jump, Shot Put, Discus Throw, and Javelin Throw, each competitor shall be allowed three trials only.
- (b) If hand timing is used, each competitor's time shall be timed by three Timers independently, using Rule 165.6 to determine the official time.
- (c) No penalty shall be imposed for the first false start, but the Starter shall disqualify the offender or offenders on the second false start. False starts are called on individuals, not on the field.

NOTE: *In practice, when one or more competitors makes a false start, others are inclined to follow and, strictly speaking, any competitor who does so has also made a false start. The Starter should charge only the competitor or competitors who, in the Starter's opinion, were responsible for the false start. This may result in more than one competitor being charged with a false start. If the unfair start is not due to any competitor, no competitor shall be charged.*

4. (a) The events, except as otherwise provided in these rules, shall be contested

at such intervals as determined by the Track and Field Committee. Whenever possible, there shall be an interval of at least 30 minutes between the time one event ends and the next event begins for any individual athlete. If possible, the time between the last event on the first day and the first event on the second day should be at least 10 hours.

- (b) In field events of combined competition for women, when more than one flight is required, a minimum of 30 minutes shall be allowed between the last attempt of the previous flight and the beginning of competition in the next flight. In the hurdles of such competition for women, where feasible, a minimum of 10 minutes shall be allowed between flights. Competition in a subsequent flight may begin prior to 30 minutes (10 minutes in the hurdles) after the previous flight with the approval of all competitors.

NOTE: *This rule is to insure rather than limit adequate warm-up time.*

- (c) When more than one flight is required in events, the composition of flights and, where feasible, the approximate scheduled time of each flight shall be posted prior to the competition, except that the composition of flights for the last event shall be determined just prior to the start of that event. Where field event flights are conducted sequentially, a minimum of 30 minutes between field event flights shall be allowed between the last attempt or finisher of one and the beginning of competition in the next unless approval for an earlier start is obtained by all competitors in the flight.
5. (a) If the number of competitors warrants it, they may be divided into permanent groups of not less than six as determined by the Games Committee or Combined Events Referee. These groupings shall continue throughout the first seven events of the decathlon and all but the last event of the other combined events.
- (b) When permanent groups are not used and individual event performance data during a predetermined period are available for most of the combined event competitors, the Games Committee, or Combined Events Referee, shall make heat and flight assignments using these data. When no performance data are available, the competitors for each heat and flight shall be drawn by lot. When this cannot be achieved due to the time schedule of events, the heats or flights for the next event should be arranged as and when competitors become available from the previous event.
 - (c) In the last event of a Combined Events Competition, the heats should be arranged so that one contains the leading athletes after the penultimate event. The heat containing the leading athletes should be run last. In the 800 Meters the top placers shall be assigned, one per lane in the last heat, the next best placers in another heat, etc., according to Rule 166.4.

(d) The order of competition within a field event, and the assignment of lanes in a track event, shall be drawn by lot for each event independently. Preferably five or more, and never less than three competitors shall be placed in a heat or flight. If there are 16 or more competitors, it is recommended that more than one facility be used for field events.

NOTE: *For Youth Athletics exception, see Rule 302.6*

6. The incremental increase in the High Jump and Pole Vault in Open Men's and Women's Track and Field Championships shall be uniform throughout the competition at 3cm and 10cm, respectively.

NOTE: *For Youth Athletics exception, see Rule 302.6*

7. An athlete disqualified for fouling a competitor in any event shall be permitted to compete in the remaining events, unless the Referee shall rule that mere loss of points is not sufficient penalty.

8. A competitor failing to attempt to start or take a trial in any event of the competition shall be considered to have abandoned the competition and shall not be allowed to participate in any following events. Such competitor shall therefore not be included in the final placing or scoring, but shall have his/her performances before withdrawing recorded in the results of the competition. Any competitor deciding to withdraw from the competition shall immediately inform the Referee of his/her decision to do so.

9. The scores of each competitor, separately and combined, should be announced to the competitors after the completion of each event.

10. Except as otherwise provided in these rules, scoring shall be based on the current IAAF Scoring Tables for Combined Events.

NOTE: *For Masters scoring, see Rule 332.2(i).*

11. Scoring based on only one system of timing shall be used throughout each separate event. However, for record purposes, fully automatic times shall be applied where they are available, regardless of whether such times are available for other competitors in the event. Where fully automatic timing is used, the times shall be given to 1/100th of a second and the 1/100th second scoring table shall be used.

12. The winner shall be the competitor who has scored the highest number of points in all events. In case of a tie, the winner shall be the competitor scoring the greatest number of points in a majority of events. If the tie still continues, the winner shall be the competitor scoring the greatest number of points in any one of the events. If the tie remains, the winner is the competitor with the highest number of points in a second event, etc. This procedure shall apply to ties for any place in the competition.

13. For record purposes, if the automatic timing device should fail in a heat not involving the competitor who set the record, then the record may be scored using the automatic timing tables, although the competition would be scored and decided using the manual timing tables.
14. Appropriate implement weights, hurdle heights and hurdle spacing must be used for the age classifications entered in the competition. For Youth, see Rules 301, 302.4 and 302.6. For Junior, see Rule 10.2(a). For Masters, see Rules 332.1(i) and 332.

RULE 201
WEIGHT PENTATHLON

1. The competition consists of the following five (5) events: Hammer Throw, Shot Put, Discus Throw, Javelin Throw, and Weight Throw. The events shall be contested in the above-mentioned order, and at such intervals as shall be determined by the Games Committee.
2. Three trials shall be allowed in each event.
3. The winner shall be the one who has scored the highest total of points (counting the best performance in each event) for all five (5) events, scored on the basis of the Official International Scoring Tables for the Hammer, Shot Put, Discus, and Javelin Throws, and on the basis of similarly prepared scoring tables for the Weight Throw.

NOTE: *For Masters exception, see Rule 332.2(i).*

RULE 202
ULTRAWEIGHT PENTATHLON

1. The competition consists of throwing the five weights listed for each age group in the following table, in the order from lightest to heaviest. The events shall be contested at such intervals as determined by the Games Committee.
2. Three trials shall be allowed with each weight.
3. The winner shall be the one who has scored the highest total of points (counting the best performance in each weight) for all five weights, scored on the basis of the Ultraweight Pentathlon Table.

NOTE: *For Masters exception, see Rule 332.2(i).*

Age Group	Weight #	Super-Weight #	35#	44#	56#	98#	200#	300#
-----------	----------	----------------	-----	-----	-----	-----	------	------

MEN

Open-49	35	56				x	x	x
50-59	25	56				x	x	x
60-69	20	44			x	x	x	
70-79	16	35		x	x	x		
80 +	12	25	x	x	x			

Age Group	Weight #	Super-Weight #	35#	44#	56#	98#	200#	300#
-----------	----------	----------------	-----	-----	-----	-----	------	------

WOMEN

Open-49	20	35		x	x	x		
50-59	16	25	x	x	x			
60-69	12	25	x	x	x			
70 +	12	20	x	x	x			

4. For specifications for the implements, see Rules 195.8 and 195.9.

SECTION V INDOOR COMPETITIONS

RULE 210 APPLICABILITY OF INDOOR RULES

With the exceptions stated in this Section, the Rules of Competition in Sections I to IV shall apply to indoor competitions.

RULE 211 THE INDOOR STADIUM

1. The stadium shall be completely enclosed and covered. Lighting, heating and ventilation shall be provided to give satisfactory conditions for competition.
2. The arena should include an oval track; a straight track for sprints and hurdles; runways and landing areas for jumping events. In addition, a circle and landing sector for the Shot Put and Weight Throw should be provided, whether permanent or temporary. It is preferred that all facilities conform to the specifications in the IAAF Track and Field Facilities Manual.
3. All tracks, runways and take-off surface areas shall be covered with a synthetic material or have a wooden surface. The synthetic material should preferably be able to accept 6mm spikes in running shoes. Alternative thicknesses may be provided by the stadium management, who will notify athletes of the permissible length of spikes. See Rule 143.3.
4. The foundation on which the surface of the track, runways and take-off area is laid shall either be solid or, if of suspended construction (such as wooden boards or plywood sheets mounted on joists), without any special sprung sections and, as far as technically possible, each runway and take-off area shall have a uniform resilience throughout. This shall be checked before each competition. A 'sprung section' is any deliberately engineered or constructed section designed to give extra assistance to a competitor.

NOTE: *Full technical information on track construction, layout and markings is contained in the IAAF's Manual on Track and Field Facilities, which is available from the IAAF at www.iaaf.org.*

RULE 212 TRACK LANES AND MEASUREMENT

1. The lateral inclination of the straight track shall not exceed 1:100 and the inclination in the running direction shall not exceed 1:250 at any point and 1:1000 overall.

2. The nominal length of the oval should be preferably 200m. It shall consist of two parallel straights and two turns which may be banked and whose radii should be equal. The inside edge of the line or curb shall be horizontal throughout the length of the track with a maximum slope of 1:1000.

Lanes

3. The straight track should have a minimum of 6 and a maximum of 8 lanes separated and bounded on both sides by white lines 5cm wide. The lanes shall all be $1.22\text{m} \pm 0.01\text{m}$ wide including the lane line on the right. On tracks whose width does not permit 6 lanes of that width, the minimum width of the lanes may be $1.07\text{m} \pm 0.01\text{m}$.
4. The oval should have a minimum of 4 and a maximum of 6 lanes. The lanes should all have the same width with a minimum of 0.90m and a maximum of 1.10m including the lane line on the right. The lanes shall be separated by white lines 5cm wide.

The Start and Finish

5. There should be a clearance on the straight track of at least 3m behind the start line and at least 10m beyond the finish line free of any obstruction with adequate provision beyond the finish for an athlete to come to a halt without injury. **NOTE:** *It is strongly recommended that the minimum clearance beyond the finish line should be 15m.*
6. The start and finish of a race shall be denoted by white lines 5cm wide, at right angles to the lane lines for straight parts of the track and along a radius line for curved parts of the track.
7. The requirements for the finish line are: if at all possible there should be only one for all the different lengths of oval races; it shall be on a straight part of the oval; and as much of that straight as possible should be before the finish.
8. As far as possible, start lines (and take-over lines for relay races) should not be on the steepest part of the banking.

Banking

9. The angle of banking in all lanes should be the same at any cross section of the oval. In order to ease the change from the flat straight to the banked turn, the change may be made with a smooth gradual horizontal transition which may be extended up to 5m into the straight. In addition, there should be a vertical transition.

Oval Edge Markings

10. Although a raised border is preferred, an indoor track may be bordered with a white line 5cm wide and marked additionally with cones or flags. The cones

shall be at least 20cm high. The flags shall be approximately 25cm x 20cm in size, at least 45cm high and set at an angle of 120° to the track surface. The cones or flags shall be placed on the white line so that the outward edge of the base of the cone or flag pole coincides with the outward edge of the white line closest to the track. The cones or flags shall be placed at distances not exceeding 1.5m on the turns and 10m on the straights.

NOTE: *For all indoor Championships, the use of an inside curb is strongly recommended.*

RULE 214 REGULATIONS FOR FORMING HEATS

1. The heats or sections for all rounds in the running events in the National Indoor Track and Field Championships, and to the extent feasible in all other meets, shall be formed according to the following:
 - (a) Qualification from Preliminary Heats: In indoor competitions, with an eight lane straight and a six lane oval, the following tables shall, in the absence of extraordinary circumstances, be used to determine the number of rounds and the number of heats in each round to be held and the qualification procedure for each round of track events:

60m, 60mH

No. of Entries	No. Trial Heats	No. Qualifying on Place	No. Qualifying on Time	No. Semi Heats	No. Qualifying on Place	No. Qualifying on Time	No. in Final
9-16	0			2	3	2	8
17-24	0			3	2	2	8
25-32	4	3	4	2	3	2	8
33-40	5	4	4	3	2	2	8
41-48	6	3	6	3	2	2	8
49-56	7	3	3	3	2	2	8

200m, 400m, 4x200m, 4x400m

No. of Entries	No. Trial Heats	No. Qualifying on Place	No. Qualifying on Time	No. Semi Heats	No. Qualifying on Place	No. Qualifying on Time	No. in Final
6-10				2	2	2	6
11-15				3	1	3	6
16-20				4	1	2	6
21-25	5	2	2	2	2	2	6
26-30	6	2	6	3	1	3	6
31-35	7	2	4	3	1	3	6
36-40	8	2	2	3	1	3	6

800m

No. of Entries	No. Trial Heats	No. Qualifying on Place	No. Qualifying on Time	No. Semi Heats	No. Qualifying on Place	No. Qualifying on Time	No. in Final
7-12				2	2	2	6
13-18	3	3	3	2	2	2	6
19-24	4	2	4	2	2	2	6
25-30	5	2	2	2	2	2	6
31-36	6	2	6	3	1	3	6

1500m

No. of Entries	No. Trial Heats	No. Qualifying on Place	No. Qualifying on Time	No. Semi Heats	No. Qualifying on Place	No. Qualifying on Time	No. in Final
12-18				2	3	3	9
19-27				3	2	3	9
28-36				4	2	1	9
37-45	5	3	3	2	3	3	9

3000m

No. of Entries	No. Trial Heats	No. Qualifying on Place	No. Qualifying on Time	No. in Final
16-24	2	4	4	12
25-36	3	3	3	12
37-48	4	2	4	12

(b) Principles of assigning lanes

i. Within each race, for all rounds of all events other than 800 meters, run wholly or partly in lanes around a turn, where there are successive rounds of an event:

- a. In the first round in the 200 meters and 400 meters, lane one shall not be utilized;
- b. A draw for lanes will be made for the outer two lanes between the two highest ranked athletes;
- c. A draw for lanes will be made for the next two lanes between the third and fourth ranked athletes;
- d. A draw for lanes will be made for any remaining inner lanes between the remaining athletes.

- ii. The rankings referred to shall be those identified in Rule 166.1(d).
- iii. For all other races the lane order shall be drawn in accordance with Rule 166.1(f).

2. **Conduct of Races**

- (a) For races of 400m or less, each athlete shall have a separate lane at the start.
- (b) Races of up to and including 300m shall be run entirely in lanes.
- (c) Races over 300m and less than 800m shall start and continue in lanes until the end of the second turn.
- (d) In races of 800m each athlete may be assigned a separate lane or a group start may be used, continuing in the same lane or group until the end of the first turn.
- (e) Races longer than 800m shall be run without lanes using an arced start line or a group start.
- (f) In the 400 Meters, at least one half-hour rest shall be allowed between heats, semi-final, and final respectively. In races of 800m or longer, at least 45 minutes rest shall be allowed between heats and final.

NOTE: *Group starts shall utilize Rule 162.18.*

- 3. **International Team Qualification:** When the Open National Championship is used to select a team to represent the USA in international competition, the Chairs of the Men's and Women's Sport Committees may establish rounds and advancement procedures in oval events of less than 1500m that result in a two section timed final.

RULE 215 SHOES

When a competition is conducted on a synthetic surface, that part of each spike which projects from the sole or the heel shall not exceed 6mm, or as required by the Games Committee. These spikes shall have a maximum diameter of 4mm.

RULE 216 HURDLES

The standard distances and specifications for hurdle races shall be as set out in the following table, with the height of the men's hurdles at 1.067m (42in.) and the women's at 0.840m (33in.):

	Distance of Race	No. of Hurdles	Distance from Start to 1st Hurdle	Distance between Hurdles	Last Hurdle To Finish
Men's	50m	4	13.72m	9.14m	8.86m
Events	55m	5	13.72m	9.14m	4.72m
	60m	5	13.72m	9.14m	9.72m
Women's	50m	4	13m	8.5m	11.5m
Events*	55m	5	13m	8.5m	8m
	60m	5	13m	8.5m	13m

* For experimental purposes, women's events may be conducted with a hurdle height of 0.914m (36in.).

NOTE: For specifications for Masters races see Rule 332.2(k).

RULE 217 RELAY RACES

1. In the 4x200 Meter Relay all of the first stage and the first turn of the second stage shall be run in lanes. At the end of this turn, there shall be a 5cm wide line (breakline) marked as specified in Rule 160.8 to indicate where each athlete can break from their lane. Rule 170.7 shall not apply.
2. In the 4x400 Meter Relay, the first two turns shall be run in lanes. Thus the same breakline will be used as for the individual 400 meter race.
3. In the 4x800 Meter Relay, the first turn shall be run in lanes. Thus the same breakline will be used as for the individual 800 meter race.

NOTE: Due to the narrow lanes, indoor relay races have a greater liability for collisions and unintended obstruction than outdoor relay races. It is therefore recommended that when possible an empty lane be left between each team.

4. The runners in the third and fourth legs of the 4x200 Meters Relay and in the second, third and fourth legs of the 4x400 Meters Relay and 4x800 Meters Relay shall, under the direction of a designated official, place themselves in their waiting position in the same order (inside to out) as the order of their respective team members as they enter the last turn before the exchange. Once the incoming runners have passed this point, the waiting runners shall maintain their order, and shall not exchange positions at the beginning of the take-over zone. Should any runner not comply with this paragraph, his/her team shall be disqualified.

**RULE 218
HIGH JUMP**

1. If portable mats are used, all references in the Rules to the level of the take-off area must be construed as referring to the level of the top surface of the mat.
2. An athlete may start an approach on the banking of the oval track provided that the last 15 meters of the run up is on a runway complying with Rule 180.16 and Rule 180.18.

**RULE 219
POLE VAULT**

An athlete may start an approach on the banking of the oval track provided that the last 40 meters of the run up is on a runway complying with Rule 180.16 and Rule 180.18.

**RULE 220
HORIZONTAL JUMPS**

An athlete may start an approach on the banking of the oval track provided that the last 40 meters of the run up is on a runway complying with Rule 180.16 and Rule 180.18.

**RULE 221
SHOT PUT/ WEIGHT THROW**

Landing Sector

1. The landing sector shall consist of some suitable material on which the shot will make an imprint but which will minimize any bounce.
2. The landing sector shall be surrounded at the far end and on the two sides, as close to the circle as may be necessary for safety of the other athletes and officials, by a stop barrier which should stop a shot whether in flight or bouncing from the landing surface.
3. In view of the limited space inside an indoor arena, the area enclosed by the stop barrier may not be large enough to include a full 34.92° sector. The following conditions shall apply to any such restriction.
 - (a) The stop barrier at the far end shall be at least 50cm beyond the current world Shot Put record for men or women.

- (b) The sector lines on either side shall be symmetrical about the center line of the 34.92° sector.
- (c) The sector lines may either run radial from the center of the Shot Put circle including a full 34.92° sector, or may be parallel to each other and the center line of the 34.92° sector. Where the sector lines are parallel, the minimum separation of the two sector lines shall be 9 meters.

NOTE: *The movement of the panels in Note 1 to Rule 190 should be modified to reflect the specifications of the landing sector.*

Construction and Specifications of the Shot

- 4. For indoor competition, a shot which is solid metal cased or a latex covered metal shell or one made of soft plastic or rubber incasing a suitable material may be allowed. The shot used shall conform to the construction and weight specifications in Rule 188.3 and Rule 188.4. The indoor shot must not allow that indentations in the surface be created to improve a grip. The diameter for a synthetic covered indoor shot can be a maximum of 15mm larger than the corresponding outdoor men's shot and 20mm larger than the corresponding outdoor women's shot. Only one type of shot may be used in a competition.

RULE 222 COMBINED EVENTS

- 1. Competition for Men
 - (a) **Pentathlon:** The Pentathlon consists of five events, which shall be held on one day in the following order:
60m Hurdles, Long Jump, Shot Put, High Jump, 1000m.
 - (b) **Heptathlon:** The Heptathlon consists of seven events which shall be held over two consecutive days in the following order:
First day: 60m, Long Jump, Shot Put, High Jump.
Second day: 60m Hurdles, Pole Vault, 1000m.
- 2. Competition for Women
 - Pentathlon:** The Pentathlon consists of five events and shall be held on one day in the following order:
60m Hurdles, High Jump, Shot Put, Long Jump, 800m.

Heats and Groups

- 3. Preferably four or more, and never less than three, athletes shall be placed in each heat or group.

**SECTION VI
RACE WALKING**

**RULE 230
JUDGES OF RACE WALKING**

1. JUDGING

- (a) The Judges of Race Walking shall have the sole authority to determine the fairness or unfairness of walking, and their rulings thereon shall be final and without appeal. Judging decisions are made as seen by the human eye.
- (b) The appointed Judges of Race Walking shall elect a Chief Judge.
- (c) The Chief Judge shall assign the Judges to their respective judging areas and explain the judging procedure to be used during the race. At International Selection Competitions, the Chief Judge shall act as the supervising official for the competition and act as a Judge only in the special circumstance described in 230.3(f).
- (d) A Chief Judge's Assistant may be appointed to assist with the notification of disqualifications. At International Selections Competitions, the position is required. The Chief Judge's Assistant shall not act as a Race Walking Judge.
- (e) All Judges shall be currently certified as Race Walk Judges by USATF or by another IAAF member federation.
- (f) All Judges shall act in an individual capacity.
- (g) The Chief Judge will serve as the Referee and Chief Umpire if none is assigned. The Judges will serve as Umpires if none are assigned.
- (h) In road races, depending on the size layout of the course there should be a minimum of six to a maximum of nine Judges including the Chief Judge. In track races, indoors and outdoors, there should be five Judges including the Chief Judge. At International Selection Competitions there shall be six judges (including the Chief Judge) when the trial is conducted on a track, and there shall be no more than 9 judges (including the Chief Judge) when the trial is conducted on a road course.
- (i) All Judges' Tally Sheets shall be turned in to the Recorder at the end of the race. A copy of the completed Judges' Summary Sheet shall be posted as soon after the event as possible. The original of this sheet shall be delivered to the Competition Secretary and made part of the official event records.

2. CAUTION

- (a) Competitors must be cautioned by any Judge when, by their mode of progression, they are in danger of failing to comply with the definition of race walking (see Rule 232); but they shall not be given a second caution by one and the same Judge for the same offense. Having cautioned a competitor, the Judge shall record all such cautions on the Judge's Tally Sheet.
- (b) Each Judge shall use a yellow paddle for signaling cautions. Each paddle should have the symbol ^^^ indicating "Loss of Contact" on one side and the symbol > indicating "Bent Knee" on the reverse side to show the reason for the caution.

3. DISQUALIFICATION

- (a) When a Judge observes a competitor who fails to comply with Rule 232.2, the Judge shall issue a red card. A red card is that Judge's proposal for disqualification of a competitor.
- (b) Red cards shall be given to the Recorder as soon as possible. If there is no Recorder, the red card shall be given to the Chief Judge. A Judge shall record all proposals for disqualification on the Judge's Tally Sheet.
- (c) When red cards from three different Judges have been sent to the Recorder or Chief Judge on the same competitor, that competitor is disqualified and shall be notified of this disqualification by the Chief Judge or the Chief Judge's Assistant.
- (d) Notification of disqualification shall be given as soon as practicable after the competitor has finished, if it is impractical to notify the competitor of the disqualification during the race. The failure to give prompt notification shall not result in the reinstatement of a disqualified competitor.
- (e) The Chief Judge and, when applicable, the Chief Judge's Assistant, shall use a red paddle for signaling disqualification.
- (f) At International Selection Competitions, the Chief Judge has the power to disqualify a competitor inside the stadium when the race finishes in the stadium, or in the last 100m when the race takes place solely on the track or on a road course, when his/her mode of progression obviously fails to comply with Rule 232.2 regardless of the number of previous red cards the Chief Judge has received for that competitor. A competitor who is disqualified under these circumstances shall be allowed to finish the race.
- (g) For Championships and International Selection Competitions, one or

more posting boards shall be placed on the course and/or near the finish to keep competitors informed about the number of red cards that have been received by the Recorder or Chief Judge for each competitor. The symbol for each offense shall also be indicated on the posting board.

- (h) Where appropriate equipment is available, computer devices with transmission capability may be used by the judges in communicating proposals for disqualification to the Recorder and the disqualification proposal posting board(s).
- (i) If the Referee is satisfied, on the report of a Judge or Umpire or otherwise, that a competitor has left the marked course thereby shortening the distance to be covered, the competitor shall be disqualified.

RULE 231 RACE WALKING OFFICIALS

Race Walking Officials may be appointed to assist in the administration of the race walking event(s) by administering the disqualification proposal posting board, recording information for the Chief Judge, assisting the Chief Judge and/or other Judges, overseeing and coordinating the functions of the Lap Counters, and performing such other relevant duties as may be required by the Chief Judge or the Meet or Event Director.

RULE 232 GENERAL RULES

1. Article III and Article IV, Sections I and VI, of the Rules of Competition shall be followed unless otherwise provided in this Section V. In the rules of those articles and sections, all forms of the word "run" shall be construed to apply to the corresponding form of "walk."
2. Definition of Race Walking. Race Walking is a progression of steps so taken that the walker makes contact with the ground so that no visible (to the human eye) loss of contact occurs. The advancing leg must be straightened (*i.e.*, not bent at the knee) from the moment of first contact with the ground until the leg is in the vertical upright position.

Disqualification for failure to adhere to the above definition is governed by Rule 230.3.

3. Race Conduct. For all Race Walking events, the following code of conduct must be adhered to:
 - (a) In track races a competitor who is disqualified must immediately leave the

track. In road races the disqualified competitor must, immediately after being disqualified, remove the distinguishing numbers that he or she is wearing and leave the course. A competitor, who fails to leave the track or course, as required by this Rule, shall be subject to Rule 145. No finishing time shall be listed in results for any competitor who receives notice of disqualification after the competitor has completed the race.

- (b) In walks where multiple distances are contested simultaneously, each competitor must declare on the entry form which distance is being entered. Times for other distances (but not placings) are valid only if the competitor finishes the distance entered.
 - (c) A race must have a minimum of three Judges as prescribed in Rule 230.1(e). For record requirements, see Rule 266.
 - (d) Athletes shall not use video or cassette recorders or players, TV's, CD or CD-ROM players, radio transmitters or receivers, mobile phones, computers, or any similar devices during the competition.
4. In addition to the water and/or refreshment stations provided at the beginning and end of the race, for all events of 10km or longer, refreshment stations shall be provided every lap. In addition to refreshments provided by the Organizing Committee, athletes shall be permitted to provide their own refreshments at refreshment stations. A competitor who collects refreshment from a place other than a refreshment station is liable to disqualification by the Referee. In addition, drinking/sponging stations for water only shall be placed approximately midway between the refreshment stations or more frequently if weather conditions warrant such provision.
5. Courses and Conditions for Walking Events.
- (a) In Championships, the circuit for events of 10km and longer shall be a maximum of 2500m. The circuit for events of less than 10km shall be a maximum of 1250m. No circuit should be shorter than 1000m.
 - (b) Race walking events shall be so arranged as to ensure that the entire event is held in daylight or with suitable artificial light.
6. All walking events that qualify or advance a competitor to subsequent events must be competitive, race walk only, events that comply fully with race walk Competition Rules.

SECTION VII
LONG DISTANCE AND ROAD EVENTS
(Running and Walking)

RULE 240
COURSE CERTIFICATION

The course used for a competition shall be certified prior to the running of the event in accordance with USATF Operating Regulation 6, unless the course is deemed uncertifiable by the Road Running Technical Council. A course may be designated as "USATF Certified" only if it has been certified in accordance with USATF Operating Regulation 6.

NOTE: *Information concerning acceptable methods of measuring courses should be obtained from the Road Running Technical Council prior to the measurement of a long distance course.*

RULE 241
MEDICAL AND SAFETY CONCERNS FOR ROAD EVENTS

1. The organizers of road races must ensure the safety of all competitors.
 - (a) Medical examinations:
 - i. A hands-on medical examination during the progress of an event by designated medical personnel clearly identified by the organizers shall not be considered assistance.
 - ii. A competitor must retire at once from the race if ordered to do so by a member of the official medical staff who is clearly identified by the organizers (armband, vest, or similar distinctive apparel).
 - (b) Drinking/Sparging and Refreshment Stations:
 - i. Water and other suitable refreshments shall be available at the start and finish of all races.
 - ii. Drinking/Sparging or refreshment stations shall be provided at suitable intervals of approximately 2-3km based upon weather conditions.
 - iii. In all events 10km or longer, water shall be provided at intervals of no more than 5km. In addition, race management may provide refreshments (other than water) and/or sparging stations at positions approximately midway between water stations.

- (c) During hot weather, races should be scheduled in the early morning or evening hours and additional aid stations should be made available.
 - (d) A competitor who collects refreshment from a place other than a refreshment station is liable to disqualification by the Referee.
2. Adequate first aid facilities should be provided, preferably by use of a mobile unit or units on the running course.
 3. If a race is longer than 5 miles and the athlete is under 18 years of age, a statement signed by the athlete's parent or legal guardian permitting the athlete to compete is required.
 4. A competitor must retire from a race immediately if directed to do so by a duly authorized official of the race or by a member of the race medical staff. (See Rule 144.9).

RULE 242

STARTING A RUNNING EVENT

1. All competitors are responsible for knowing the starting time of the event(s), for knowing the registration or check-in method utilized at the start (for some or all of the competitors), and for being at the starting line at the appointed time for instructions and the start of the race.
2. Ten to fifteen minutes (or as otherwise specified) before the start of the race, all entries should be closed and the athletes directed to the starting line for final instructions and the start of the race.
3. One or more starting lines may be used in any road race. In the event that more than one starting line is used, it is recommended that the point where the runners converge be at least 800m (1/2 mile) from the starting line.
4. Runners should be seeded according to ability in any race when all of the runners cannot be placed on the starting line.
5. The commands and procedures for races longer than 400m should be used. See Rule 162.3. The method of starting to be used must be explained prior to the start in such a manner that all participants will receive and understand the information. False starts in road races should not be recalled.
6. The Starter shall report to the Referee any misconduct by any competitor(s) at the start. The Referee shall have the authority to disqualify such competitors.

7. In events using transponder timing, all mats at the start shall be placed before the measured starting line.

RULE 243
COURSE MARKING AND MONITORING

1. Running courses shall be adequately marked at strategic points to keep the competitors on course.
 - (a) Each turn and intersection shall be clearly marked in such a way that there will be no doubt as to the direction the runner should go to stay on course.
 - (b) Distance markers should be located throughout the course. It is recommended that markers be placed at maximum intervals of 3 to 5km or 2 to 3 miles. The spacing of their intervals shall be determined by the Games Committee.
 - (c) The measurement line should be marked along the course in a distinctive color that cannot be mistaken for other markings (See USATF Operating Regulation 6.)
 - (d) The finish line in off-track long distance running events should be a line of width 15cm in a color contrasting the running surface and of a material which will adhere to a fixed position on the running surface. The exact finish line shall be clearly marked and stated in competitor instructions in order to eliminate confusion with designs on or adjacent to the running surface near the finish line. The use of a tape, held by individuals not serving as judges, may be used to help identify the location of the finish line.
2. Turns and major intersections on the course shall be monitored.
 - (a) Monitors shall always be standing and shall be located at or before the change of direction, not after it occurs on the course.
 - (b) Scorers shall keep a record of the runners and their running times at specific points on the course.
 - (c) Whenever possible, the route of the competition should be free of vehicular traffic or nearly so. All dangerous intersections should be staffed to provide for traffic and spectator control.
 - (d) A lead vehicle should be provided with additional vehicles to assist in monitoring the competition, timing, or other required functions.
 - (e) Whenever possible, elapsed times should be displayed or read at various

points along the running course for the benefit of the runners and to record such time intervals.

3. Runner's identification shall consist of running numbers pinned securely on the front of each runner's uniform and displayed throughout the race. The registration list will contain each runner's name and running number.
4. Any competitor who has been found by the Referee and/or Jury of Appeal to have gained an unfair advantage by intentionally shortening the route of the race ("cutting the course") shall be immediately disqualified from the competition. See also Rule 163.6.

RULE 244 THE FINISH LINE

1. The finish of the course is the edge of the line closest to the approaching runners.
2. Should there be an extensive painted design adjacent and prior to the finish line, the exact location of the finish line shall be clearly stated in instructions to all competitors.
3. A tape may be held above and parallel to the finish line and at right angles to the course by individuals who are not serving as judges. The individuals holding the tape shall be positioned so they do not interfere with the view of the judges. This tape is not itself the finish line, but is there only to indicate the approximate location of the actual finish line to approaching runners.
4. In events using transponder timing mats, the first mat shall be placed so that the edge of the mat closest to the approaching runners is the finish line. At least the first 15cm of the mat shall be of a color in contrast to the running surface to indicate the finish line. Any additional or backup mats shall be placed beyond the finish line.

NOTE: See Rule 165.16.

5. Races may use separate points along the finish line as the crossing location of the first men's and first women's finishers.
6. In addition to an authorized finish line imaging system, an officially designated video or photograph may be used to review the order of finish.

RULE 245 FINISH LINE RECORDING AND TIMING

1. Officials at the finish should record each number as the athlete completes the

race, along with the athlete's finish time. The order in which the athletes cross the finish line will be the official finish position.

2. The timers shall start their watches or timing devices at the flash/smoke of the pistol or approved apparatus or at the first moment a competitor crosses the start line, whichever happens first. False starts in road races should not be recalled.
3. The official time shall be the time elapsed between the start of the watches or timing devices resulting from an appropriate start signal and when the athlete reaching the finish line. The actual time elapsed between when an athlete reaching the starting line and finish line can be made known to the athlete, but will not be considered as official time.

RULE 246
SCORING RUNNING EVENTS

1. The method of team scoring shall be set forth in the entry blank and printed program for the race.
2. Individuals will be scored according to the designated divisions.
3. See Rules 5, 7, 16.9, 20.9 for scoring of Championship races.

SECTION VIII CROSS COUNTRY

RULE 250 GENERAL

1. Variability: The varying circumstances in which cross country running is practiced preclude rigid legislation standardizing this sport. The Rules in this Section are intended as a guide for cross country.
2. Season: The cross country season will normally extend throughout the fall and winter months after the close of the outdoor track and field season until the next World Cross Country Championships.
3. Participation: Cross country is basically a team sport, but participation is not limited to teams, and individual entries may be accepted.
4. The general rules of Long Distance Running apply unless otherwise modified in this section.

RULE 251 COURSE

1. The race shall be run over a course confined, to the extent possible, to open country, fields, parks, golf courses, and grasslands. The traversing of paved roads should be kept to a minimum.
2. The course must be clearly marked, preferably with red flags to indicate a left turn, yellow flags to indicate a right turn and blue flags to indicate continuing straight ahead. All flags must be visible from the point where the runner passes the previous flag, with a maximum interval of 50m. A white chalk line should be marked on the ground the entire route for the athletes to follow. Each kilometer point should be clearly recognizable. The course should be laid out so that there are no sharp turns at the beginning of the course and so that it is not less than 9m (approximately 10 yds.) wide at any point.
3. Courses should be designed so as to avoid very high obstacles, deep ditches, dangerous ascents or descents, thick undergrowth, and, in general, any obstacle which would constitute a difficulty beyond the aim of the competition.
4. It is preferable that artificial obstacles not be used, but if the requirements of the event render them unavoidable, they should be made to simulate natural obstacles encountered in open country. In World Trials competition, barriers simulating those that are planned to be used in the World Championships should be constructed. In races where there are large numbers of competitors, narrow

gaps, or other hindrances that would deny to the competitors an unhampered run, obstacles must be avoided for the first 1500 meters.

5. The race distance must be declared and the course briefly described at the time invitations are extended.
6. The responsibility for providing an acceptable, well marked course, details of which should appear in the program, rests with the organizing body, which should station umpires or monitors on the course to direct competitors where necessary.
7. If the Referee is satisfied, on the report of a Judge or Umpire or otherwise, that a competitor has left the marked course thereby shortening the distance to be covered, the competitor shall be disqualified.

RULE 252

START

1. Cross country races shall be started by the firing of a pistol or other suitable device. The commands for races longer than 400m should be used. See Rule 162.3. However, where a race will be started using a different procedure, such procedure should be clearly conveyed to all competitors either in writing or by public address announcement. A race may be recalled upon a false start or a fall which impacts the field within the first 100m.
2. In races that include a large number of competitors, five minute, three-minute, and one-minute warnings shall be given.
3. Starting positions shall be randomly assigned by the Games Committee or the Meet Director for each team and the members of each team shall be lined up in an order of their own choosing within their assigned position.
4. The starting area of a cross country course should avoid any turns for at least the first 400m, and preferably the first 1200m. The width of the starting area should be such as to handle comfortably the competitive field.

RULE 253

APPAREL

1. The jersey or singlet worn by the members of a team in cross country shall be basically identical for each member in color and style, and must be clearly visible throughout the race, *i.e.*, worn as the outer garment if other apparel items are worn underneath by one or more team members. Because of the nature of cross country running, the preferences of individual athletes in certain weather situations will allow other apparel items to vary widely without penalty.

2. Individuals not complying with paragraph 1 may be disqualified from scoring for a team.

RULE 254
FINISH

1. The finish area for a cross country race should include a final straightaway of at least 200m with clear visibility of the finish line by all runners and clear visibility of the runners by spectators. A straightaway of 400m is preferred. Alternatively, the race may finish with one half or more of a lap on a standard track.
2. The finish line should be marked both with a solid line of contrasting color to the ground placed across the width of the finish area and an overhead banner or other indicator of finish. Judges shall be stationed at the finish line to determine the order of finish. Transponder timing shall not be used to determine order of finish.
3. A finish chute similar to a road event finish should be constructed to enable the race officials to hold each runner until the method or methods of scoring are applied. It is recommended that at least two independent systems (e.g., cards in order of finish and recording of competitor numbers) be used to score. At the Open and Junior National Cross Country Championships, three independent systems shall be used, at least one of which shall produce a high-quality visual image of the finishers.
4. Finishers should be recorded and timed according to Rule 245.
5. See Rule 7 for team scoring.

SECTION IX
TRAIL AND MOUNTAIN RUNNING

RULE 255
GENERAL

Trail and Mountain Running races shall be run over courses of varying distances on terrain which is generally more rugged and challenging than standard cross country courses. These courses are akin to, and often the same as, hiking routes in generally more remote, woodland, or even uninhabited areas. Courses defined specifically as Trail courses are characterized primarily by terrain and topography. Courses defined specifically as Mountain Running courses are characterized primarily by significant changes in elevation between the start and the finish of the course. Some courses may be legitimately defined as both Trail and Mountain Running courses.

NOTE: *The general rules of Long Distance Running apply unless otherwise modified in this section.*

ARTICLE V
RECORDS

RULE 260
WORLD RECORDS

1. The recognition of World Records is within the jurisdiction of the International Association of Athletics Federations (IAAF). IAAF Rule 260 sets forth the conditions for the recognition of World Records. This Rule 260 is intended only as a helpful summary of some of the important provisions and not as an official source.
2. Under IAAF Rule 260, there are three (3) categories of world records, as follows:
 - (a) World Records
 - (b) World Junior Records
 - (c) World Indoor Records
3. World Record Application Forms can be downloaded from the IAAF's web site (<http://www.iaaf.org/downloads/RecAppForms/index.html>). When a World Record is claimed, the application must be completed without delay and forwarded to the National Office of USATF or to the Chair of the Records Committee. If, after due investigation, the Chair of the Records Committee is satisfied that no reasonable doubt exists as to the validity of the record, the Chair shall so inform the Chief Executive Officer of USATF, who shall have the authority to endorse the application and forward the same to the IAAF. If there are grounds for reasonable doubt as to the validity of the record, the Records Chair shall so inform the Chief Executive Officer, and any communication to

the IAAF shall disclose those grounds and shall advise that the application shall be reviewed and ruled upon at the next Annual Meeting of USATF.

4. The application must be accompanied by:
 - (a) The printed program of the meet,
 - (b) The complete results of the event,
 - (c) In case of a track record, the photo finish picture and the zero control test where fully automatic timekeeping was the official recorder of the event,
 - (d) The reaction times, where available, shall be provided in all races where a crouch start and the use of starting blocks is compulsory. Effective January 1, 2009, for records up to and including 400 meters under IAAF Rule 261 and IAAF Rule 263, starting blocks linked to an IAAF-approved false start control apparatus under Rule 161.4 and Rule 162.17 must have been used and have functioned correctly so that reaction times were obtained.
 - (e) In the case of a field event record, the complete results sheet,
 - (f) In the case of the first application on behalf of an athlete for a Junior record, an official document that confirms the date of birth (a copy of the athlete's passport or birth certificate),
NOTE: *Except for the One Mile Run, World Records are recognized only in the metric running events listed in IAAF Rules 261, 262, and 263.*
5. Each athlete who sets a World Record shall submit to a doping control at the end of the event, to be conducted in accordance with IAAF Rules and Procedural Guidelines currently in force. The sample(s) collected shall be sent for analysis to a WADA-accredited laboratory and the results sent to the IAAF to be added to other information required for the ratification of the record. If such testing results in a doping violation, or is such testing is not conducted, the IAAF will not ratify this record.
6. Where relevant, the requirements of World Masters Athletics (WMA) shall be complied with to assure appropriate ratification of records recognized by that organization.

RULE 261 NATIONAL RECORDS

1. There shall be six (6) categories of national records as follows:

- (a) An American Record, which shall be the best performance made by an American citizen or relay team composed entirely of U.S. citizens in an athletics event held within the United States or abroad.
- (b) An American Junior Record, which shall be the best performance made by an American citizen or relay team composed entirely of U.S. citizens who are Juniors. (See Classifications preceding Rule 1.)
- (c) An American Masters Record, which shall be the best performance made by an American citizen or relay team composed entirely of U.S. citizens. Separate records may be established for each of the age bands listed in Rule 320, and such records shall be kept separately for men and women.
- (d) An All-Comers Record, which shall be the best performance made in the United States by any competitor or relay team.

NOTE: *For American Records and All-Comers Records in Men's and Women's Track and Field and in Men's and Women's Race Walking, there shall also be American Indoor Records and All-Comers Indoor Records.*

- (e) A Masters All-Comers Record, which shall be the best performance made in the United States by any competitor or relay team in any Masters Division.
 - (f) An American Youth Athletics Record, which shall be the best performance made by an American citizen or relay team composed entirely of U.S. citizens in Youth Athletics meets sanctioned by USATF. The record application must include the athlete's current USATF membership number.
2. When a national record is to be claimed, the Association, club, or organization sponsoring or conducting the competition at which the performance was made shall take all necessary steps to have the record applied for, including:
- (a) Completing and submitting the appropriate record application form. Track and field record applications (including race walking events on the track) should be sent to the National Records Chair or the appropriate sport committee Records Chair. Road record applications and all long distance record applications should be sent to the Road Running Information Center at 5522 Camino Cerralvo, Santa Barbara, CA 93111.
 - (b) All Masters and Youth Athletics record applications must be accompanied by proof of birth date. Acceptable forms of proof include a birth certificate, passport, certified baptismal record, driver's license, or US government identification or equivalent proof. Letters from civil, military, or academic officials are not sufficient. In Masters Athletics, the birth certificate must be certified and a driver's license is not acceptable.

3. When an Open or Junior Men's or Women's national track and field record has been equaled or bettered in a USA National Championship, Olympic Trials, or other meet conducted by USATF, or in the Olympic Games, IAAF World Championship, IAAF World Cup, or other meet conducted by the IAAF or sanctioned as a Grand Prix or Permit meet by the IAAF, that record may be ratified based on the official results of the meet without the need for a formal record application. However, an application and/or other appropriate documentation shall be required by the Records Committee whenever it has received information creating some reasonable doubt as to the correctness of the official result.

RULE 262
RULES APPLICABLE TO ALL RECORDS

1. The Records Committee shall investigate every performance submitted for record approval and shall recommend approval or rejection to the appropriate sport committee.
2. No record shall be accepted unless it has first been approved by the appropriate sport committee. No application for a record shall be recommended for approval by the Records Committee unless the committee has received all pertinent required information, as called for by the application or by these rules.
3. Credit for Records:
 - (a) No record shall be acceptable unless it is made in a bona fide scratch running competition, or a bona fide handicap or scratch competition in a field event, open to two or more clubs, schools, colleges, or other organizations, which has been fixed and advertised before the day of competition, and which is included in the printed program together with the names of the entrants for the events. A record may be accepted in a handicap race, provided the performance is set in a race in which (1) all competitors start from the same line, (2) no one has started before the competitor claiming the record, and (3) the race is timed in accordance with Rule 165.4. At least three competitors, and in relays at least two teams, shall be bona fide and have participated in the event in which the record purportedly was established. In field events, a handicap competition may be combined with the scratch competition. In Men's and Women's Track and Field, Long Distance Running, Race Walking and Masters Track and Field, no record shall be acceptable unless it was made in an event that had been sanctioned by USATF, a member organization of USATF or another member Federation of IAAF by competitors eligible to compete under IAAF Rules.
 - (b) For track events over 10,000 meters and road events up to and including the Marathon, multiple events may be contested simultaneously. The ath-

lete must complete the distance entered in order for any intermediate time to be considered as a record.

- (c) For races longer than the Marathon, an athlete may compete at a distance shorter than the stated race distance but longer than the Marathon distance. The athlete shall be eligible for records of any standard distance that is completed, even if the stated race distance is not completed. Similarly, a race director may offer several ultramarathon options within the same race with each being considered a bona fide scratch competition.

NOTE: *In meets within allied members of USATF or other recognized organizations, marks made in competition open to two or more athletic organizations may be considered for record listing.*

4. Wind Reading Requirements:

- (a) For all outdoor records up to and including 200 Meters and 200 Meter Hurdles (Youth Athletics) and for the Long Jump and Triple Jump, the component of the wind velocity in the direction of the running shall be measured by an approved mechanism that accurately determines such component. This wind information shall be provided on the record application. If the average velocity of the wind, measured in the direction of the running behind the competitor, exceeds 2.0 meters per second the record will not be accepted, except in the combined events, as per subparagraph (b) below.
- (b) The conditions for recognizing a Combined Events record shall have been complied with in each of the individual events, except that, in events where wind velocity is measured, at least one of the following conditions shall be satisfied:
 - i. The velocity in any individual event shall not exceed plus 4.0 meters per second.
 - ii. The average velocity (*i.e.*, the sum of the wind velocities, as measured for each individual event, divided by the number of such events) shall not exceed plus 2.0 meters per second.

5. No record shall be accepted unless the course, distance, or height has been checked with a certified steel tape or bar graduated in centimeters, or by an approved scientific apparatus. In the case of road records, the course must be certified before the race and must meet certification standards as stated in USATF Operating Regulation 6. Those standards may include the requirement of a steel tape measurement.

6. No performance shall be recognized as a record if it has been accomplished in

or during a mixed competition of men and women, except track events longer than 10,000 meters or in road races

NOTE: *For Masters exception, see Rule 320.8.*

7. Records made in heats or qualifying trials, in deciding ties, in any event which is subsequently decreed void under the provisions of Rule 125.9 or Rule 146.5, or in individual events in the combined events will be accepted.
8. In track events of 10,000 meters or less and in field events, when two or more contestants record the same performance during a single competition, each such contestant shall be entitled to the record. In road races or races over 10,000 meters on the track, only winning contestants are entitled to the record.
9. When a competitor is disqualified or otherwise is not entitled to a record performance in that competition, another competitor may be given credit for the same record if he/she was not disqualified and was in all respects (including conformity with the appropriate rules of timing and/or measurement) entitled to such record.

RULE 263

RULES APPLICABLE TO TRACK EVENTS

1. Outdoor track records may be made only on a track which is not banked and which is composed of a substance on which normal running spikes can be used. Indoor running and walking records may be made on any type of surface provided it is indoors. Indoor Records may be made on tracks of wooden composition and/or banked tracks. Other records may not.
2. No record claimed for any event in which time is taken shall be allowed unless it has been timed in accordance with Rule 165. For manual times, the watches of the Official Timers shall be exhibited to the Chief Timer and/or the Referee for confirmation of the time recorded. Times recorded by approved fully automatic timing devices shall be in accordance with Rule 165.11.
3. When the time taken for a longer distance is better than, or as good as, the record for a shorter distance, the time for the longer distance shall be recognized as the record for the shorter distance.
4. An athlete may set and obtain credit for any number of records in the same race. An athlete shall not, however, be credited with a record at a shorter distance if he or she did not finish the race over the full distance for which the race had been scheduled, except as provided in Rule 262.3(c).
5. For races up to and including the 440 yards, only performances timed by an approved fully automatic timing device shall be approved as records.

6. The record must be made on a track of which the radius of the outside lane used does not exceed 50m, except where the bend is formed with two different radii, one of which may exceed 50m as long as it does not account for more than 60 degrees of the 180-degree turn.
7. For outdoor records, in track events of 200 meters or longer, the track must not exceed 440 yards in circumference, and the race must have started on some part of the circumference, except in the Steeplechase event where the water jump is placed outside a normal 400m or 440 yd. track.
8. For indoor records, in track events of 200 meters or longer, the track must not exceed 220 yards in circumference. A performance made indoors on an 11 laps-to-a-mile track may be listed in addition to a record made on a longer track, providing it is so designated.
9. No record may be accepted where the runner in a race run in lanes has run on or inside the inner curved border of the lane.
10. (a) Records for 10,000 meters or a shorter distance contested on a track can be set only on a track which either:
 - i. complies with Rule 160.3, or
 - ii. has been measured 20cm from the white line in accordance with Rule 160.2, provided that the curves have been marked with cones or flags complying in size and placement with Rule 160.3.
- (b) Records for distances longer than 10,000 meters may be accepted as track records provided the inside of the track is marked with a white line and with cones or flags complying with Rule 160.3(b).
- (c) Records for distances longer than 10,000 meters made on tracks that do not comply with Rule 160.3 may be accepted as road records provided they meet all the requirements of Rule 265, including those pertaining to course measurement.
11. For Open Men's and Women's relay events, records shall be recognized in two categories. The first shall be for Olympic, Pan American, and National teams officially representing the USA in international competition, and teams composed of US citizens competing in sanctioned domestic or international events. Records shall also be recognized for the same distances established by relay teams representing a single athletic club or school team. However, where the single club or team record is a superior mark, that record alone shall be recognized.

NOTE 1: *For Masters relay record requirements, see Rule 332.2(g)*

NOTE 2: Pursuant to IAAF Rules, a World Record in a relay may be made only by a team whose members are citizens of a single member country of the IAAF.

RULE 264

RULES APPLICABLE TO FIELD EVENTS

1. No record claimed for the Hammer, Discus, Shot, Javelin, or Weight shall be allowed unless it has been made with an implement that complies with the specifications for the official implements adopted by the IAAF and USATF. The implement must be certified as to weight, measurement, and material on the date of competition. The implement shall be impounded and re-certified as legal as soon as possible following the throw except in Combined Events.
2. Measurements for records in field events shall be made by three field judges, including the Chief Field Judge of that event, under the supervision of the Field Event Referee or Head Field Judge and shall be made using a certified steel tape, certified graduated bar in centimeters or approved scientific measuring device and submitted in meters and centimeters in accordance with Rule 148.
3. Indoor Records may be set on runways and circles of wooden composition. Other records may not.
4. Records may be credited for more than one performance in a competition, provided that each record so recognized shall have been equal or superior to the best previous performance at that moment.

RULE 265

RULES APPLICABLE TO LONG DISTANCE RUNNING EVENTS

1. (a) No non-winning performance in a road race shall be accepted as a record unless it can be verified (independently of the primary timing systems) that a specific time was recorded for that particular runner. If it cannot be verified that such a time was recorded for the runner, the next slower recorded time that can be verified as being recorded after that runner finishes may be assigned to that runner.

(b) No performance shall be accepted as an Open American record unless it was timed in accordance with Rule 165. Net timing provided by a transponder system shall not be accepted for any record set in road events, except as described in Rule 265.10.
2. A winning performance in a race shall be timed in accordance with Rule 165. The winner of each sex division shall be considered to have a winning performance.
3. Road running performances will not be accepted if a remeasurement shows that

the actual course distance was shorter than the stated record distance. Course remeasurement is mandatory for a record to be accepted.

4. For track records at distances longer than 10,000 meters, lap sheets must be kept. Such lap sheets must record the total elapsed time for the record applicant for each lap. Only laps for which a time was recorded will be counted as having been completed. Each time entry must be initialed by the recorder, the lap sheets must be verified and signed by the race director, and a legible photocopy (NOT the original copy) of the lap sheets must accompany the record application.
5. For all road records:
 - (a) The course must not have a net decrease in elevation from start to finish exceeding 1 part per thousand (*i.e.*, 1m per km).
 - (b) The start and finish of the race must lay no more than 30% of the race distance apart as measured along the straight line between them, except when it can be shown that the average component of the wind direction at the head of the race (the lead runner) did not constitute a significant tailwind.
NOTE: *A tailwind shall be deemed to be significant if it prevails consistently throughout more than 50% of the course during the race.*
6. For all women's road running records, except Masters records, separate records shall be kept for women-only and mixed competition.
7. In all events that are defined by time, distances will be measured to the nearest lesser full yard or meter only.
8. A national or world's best open class performance must be validated as follows:
 - (a) Witnesses to the actual race must provide to the Validation Chairperson of the Road Running Technical Council of USATF, or a designee, a complete and precise map or description of the shortest possible route that was available to the record claimant during the race and must verify that the course measured was the course covered.
 - (b) The actual course must be evaluated and approved as accurate by an expert designated by the Validation Chairperson of the Road Running Technical Council.
9. For road records, a complete set of lap sheets must be kept for any event that is run in three or more loops of the same course. The maintenance and disposition of such lap sheets shall be the same as indicated in paragraph 4, above.
10. Properly rounded net times provided by transponders may be used for Masters

LDR age group records provided: the competitor wins his/her division; the transponder mat defining the start time is placed completely before the start line; and the transponder mat defining the end time is placed completely after the finish.

RULE 266
RULES APPLICABLE TO RACE WALKING EVENTS

1. Race walking performances may be accepted as records only if made in competition limited to race walkers.
2. Separate records shall be kept for track and road courses. Records set on a track shall meet all standards applicable to track running events. Records set on road courses shall meet all standards applicable to road running events, including standards pertaining to the measurement and certification of courses. The maximum circuit length shall be the same as those applicable to Championships. See Rule 232.5(a).
3. For records, track races require five Judges and road races require a minimum of six judges, as prescribed in Rule 230.1(e). At least half of these judges shall have National or higher certification, and at least one of these judges must have Master or IAAF certification.

RULE 267
EVENTS IN WHICH RECORDS ARE RECOGNIZED

National records shall be recognized only in the events listed in this rule. The events are set forth here by sport committees.

Men's Track and Field
OUTDOOR EVENTS

Track Events

100 Meters	1500 Meters	110 Meter Hurdles
200 Meters	2000 Meters	400 Meter Hurdles
400 Meters	3000 Meters	3000 Meter Steeplechase
800 Meters	5000 Meters	1 Mile
1000 Meters	10,000 Meters	

Field Events

High Jump	Triple Jump	Shot Put	Discus Throw
Long Jump	Pole Vault	Hammer Throw	Javelin Throw
		56-lb. Weight Throw	

Combined Events

Decathlon	Pentathlon	Weight Pentathlon
-----------	------------	-------------------

Relay Events

400 Meters (4x100) 3200 Meters (4x800)
800 Meters (4x200) 6000 Meters (4x1500)
1600 Meters (4x400) 440 Meters Shuttle Hurdles (4x110)
1600 Meters Sprint Medley (400-200-200-800 or 200-200-400-800)
4000 Meters Distance Medley (400-800-1200-1600 or 800-400-1200-1600
or 1200-400-800-1600 or 1200-800-400-1600)

INDOOR EVENTS

Track Events

50 Meters	400 Meters	1500 Meters
55 Meters	500 Meters	2000 Meters
60 Meters	600 Meters	3000 Meters
200 Meters	800 Meters	5000 Meters
300 Meters	1000 Meters	1 Mile
50 Meter Hurdles	55 Meter Hurdles	60 Meter Hurdles

Field Events

High Jump	Triple Jump	Shot Put
Long Jump	Pole Vault	35-lb Weight Throw

Combined Events

Pentathlon Heptathlon

Relay Events

800 Meters (4x200) 3200 Meters (4x800)
1600 Meters (4x400) 6000 Meters (4x1500)
1100 Meters Sprint Medley (400-200-200-300)
4000 Meters Distance Medley (400-800-1200-1600, 1200-400-800-1600,
or 800-400-1200-1600)

JUNIOR RECORDS (All Outdoors)

Track Events

100 Meters	800 Meters	3000 Meters
200 Meters	1500 Meters	5000 Meters
400 Meters	1 Mile	10,000 Meters
110 Meter Hurdles	400 Meter Hurdles	3000 Meter Steeplechase

Field Events

High Jump	Triple Jump	Shot Put	Discus Throw
Long Jump	Pole Vault	Hammer Throw	Javelin Throw

Combined Event

Decathlon

Relay Events

400 Meters (4x100)

1600 Meters (4x400)

Women's Track and Field

OUTDOOR EVENTS

Track Events

100 Meters

1500 Meters

100 Meter Hurdles

200 Meters

2000 Meters

400 Meter Hurdles

400 Meters

3000 Meters

2000 Meter Steeplechase

800 Meters

5000 Meters

3000 Meter Steeplechase

1000 Meters

10,000 Meters

1 Mile

Field Events

High Jump

Triple Jump

Shot Put

Discus Throw

Long Jump

Pole Vault

Hammer Throw

Javelin Throw

Combined Events

Decathlon

Pentathlon

Heptathlon

Weight Pentathlon

Relay Events

400 Meters (4x100)

3200 Meters (4x800)

800 Meters (4x200)

6000 Meters (4x1500)

1600 Meters (4x400)

800 Meters Sprint Medley (100-100-200-400)

1600 Meters Sprint Medley (400-200-200-800 or 200-200-400-800)

4000 Meters Distance Medley (400-800-1200-1600 or 800-400-

1200-1600 or 1200-400-800-1600 or 1200-800-400-1600)

INDOOR EVENTS

Track Events

50 Meters

400 Meters

1500 Meters

55 Meters

500 Meters

3000 Meters

60 Meters

600 Meters

5000 Meters

200 Meters

800 Meters

1 Mile

300 Meters

1000 Meters

50 Meter Hurdles

55 Meter Hurdles

60 Meter Hurdles

Field Events

High Jump

Triple Jump

Shot Put

Long Jump

Pole Vault

20-lb Weight Throw

Combined Event

Pentathlon

Junior Outdoor Track Events

3000 Meters	15,000 Meters	25,000 Meters
5000 Meters	20,000 Meters	1 Hour
10,000 Meters		

Junior Outdoor Road Events

5000 Meters	15,000 Meters	25,000 Meters
10,000 Meters	20,000 Meters	

Men's Long Distance Running

Women's Long Distance Running

Masters Long Distance Running (Men and Women)

Track Events

15,000 Meters	100,000 Meters	100 Miles
20,000 Meters	200,000 Meters	1 Hour
25,000 Meters	10 Miles	2 Hours
30,000 Meters	20 Miles	12 Hours
50,000 Meters	50 Miles	24 Hours

Road Events

Road Mile	15,000 Meters	100,000 Meters	
5000 Meters	20,000 Meters	10 Miles	Half-Marathon
8000 Meters	25,000 Meters	20 Miles	Marathon
10,000 Meters	30,000 Meters	50 Miles	12 Hours
12,000 Meters	50,000 Meters	100 Miles	24 Hours
Men's and Women's LDR only:	Marathon Road Relay (5 member)		
	Marathon Road Relay (6 member)		

Road and/or Track Events

1000 Miles	48 Hours	144 Hours
------------	----------	-----------

Masters Track and Field

1. All events listed in Rule 331
2. All events listed in this rule for Men's Race Walking.
3. Additional event for Indoor Track and Field: Mile.
4. Additional events for Outdoor Track and Field: Mile, 3000 Meters.

NOTE: See Rule 320.8 for additional requirements.

Youth Athletics

All events listed in Rule 301

RULE 268

NOTEWORTHY PERFORMANCES

1. A performance may be recorded as a "Noteworthy Performance" if so approved by the appropriate sport committee.

2. A performance made indoors on a track measuring more than 220 yards, if otherwise eligible for indoor record listing, and if it is equal to or better than the American or All-Comers Record in such event, may be listed as a Noteworthy Performance, if so approved by the appropriate sport committee.

**ARTICLE VI
SPECIAL PROGRAMS**

**SECTION I
YOUTH ATHLETICS**

**RULE 300
GENERAL RULES**

1. (a) Articles I (Section 1) and Articles II-V of the Rules of Competition of USATF and Classifications shall apply to Youth Athletics competition, except to the extent that such rules are in conflict with this Article VI, Section I. If there is a conflict, Article VI Section I shall supersede any other provisions of the USATF Rules. All athletes must be members of USATF to participate in the Association Championship. If the Association starts with preliminary meets, athletes must be USATF members at the preliminary round of competition.
- (b) The program is divided into five divisions for boys and five divisions for girls. The athlete's year of birth shall determine the division in which the athlete shall compete. With each succeeding year each division shall be adjusted as shown in the table below:

	(2008)	(2009)	(2010)
Bantam Division	1998+	1999+	2000+
Midget Division	1996-1997	1997-1998	1998-1999
Youth Division	1994-1995	1995-1996	1996-1997
Intermediate Div.	1992-1993	1993-1994	1994-1995
Young Men's/Young Women's Division	1990-1991	1991-1992	1992-1993

- (c) Athletes who are still eighteen (18) years of age through the final day of the National Junior Olympic Track and Field Championships shall be eligible to compete in the Young Men's and Young Women's division through that meet. This extended eligibility does not apply to cross country events.
- (d) Competitors must compete in their own divisions only. No athlete may compete in younger or older divisions in individual, relay, or team events.
- (e) In track and field, a competitor in the Bantam or Midget divisions may enter a maximum of three events. Competitors in the Youth, Intermediate, or Young Men's/Young Women's divisions may enter a maximum of four events. These limitations include relays, but not combined events or road races. Entry in a relay, either as a primary or an alternate member, will be considered an entry for the purpose of this rule.

- (f) Participation in Youth Athletics Championships and Junior Olympic programs shall be restricted to United States citizens, aliens living in the United States, and foreign exchange students.
- (g) An athlete participating in Youth Athletics/Junior Olympics activities who is a temporary resident, such as summer vacation, of one Association and a permanent resident of another Association, may apply for the purpose of individual competition to the Association of temporary residence. With the approval of both Associations, the athlete shall be able to participate in the Youth Athletics/Junior Olympics activities in the Association of temporary residence only as an unattached athlete. The "Association of Permanent Residency," for the purpose of permanent residency, is the residency of the athlete's custodial parents/ legal guardian at the time of entry deadline. Proof of residency can be provided by Tax Statements, or utility bills at the place of residency . Athletes that live with one custodial parent/legal guardian in the summer and another custodial parent/legal guardian during the school year, may be considered dual permanent residents of both Associations. These athletes may only have one membership number under one Association and have all rights and privileges of that Association. Proof of legal guardianship may be requested for proof of residency. It shall be the sole responsibility of the applying athlete to secure and furnish all necessary documentation to substantiate any request for consideration of a waiver of this rule. Athletes who have not established permanent residency as described herein may compete as "Temporary Residents." Temporary status athletes may not participate on club relay teams, wear club uniforms nor be listed as representing a member club. Historical affiliation shall have no bearing on club status. (For information about representation, see USATF Operating Regulation 7. For information about clubs, see USATF Operating Regulation 8.)
- (h) Proof of date of birth may be required at Association level competition, but shall be required at all Youth Athletics competition above the Association level. The form of proof shall be a copy of a birth certificate, passport, certified baptismal record, driver's license, or United States government identification. Where the issuing Association has validated the athlete's competition entry form or membership card with "Proof of Age Verified," or other wording to that effect, the validated entry form or membership card becomes acceptable proof of age. Letters from school or recreation offices shall not be considered as proof.

NOTE: *Entries to Regional and National competitions shall be accompanied by proof of age.*

- (i) Penalties may be considered by Associations and by the National Athletics Board of Review for participation by an athlete in an improper age division. These penalties may be applied to athletes, coaches, and clubs involved.
- (j) In order to promote participation in Youth Athletics Competition, entry fees should be kept as low as possible. The National Youth Athletics

Committee may set maximum fees for Youth Athletics competitions at Association, Regional, and National levels.

2. **National Championships**

- (a) The National meets shall be under the guidance of the Youth Athletics Committee through its Chair.
- (b) The Committee's Chair or designee shall serve as the Referee at all National meets. The Referee shall be a National or Master certified official.
- (c) The USATF National Junior Olympic Cross Country meet shall serve as the Youth Athletics National Championships.
- (d) In track and field, National Championships shall be contested on a 400 meter track with no fewer than eight lanes and having a raised inner curb in conformance with Rule 160.3(a).
- (e) A finish recording system, as described in Rule 165, producing a photograph or image depicting place and time shall be used for all events contested on the track.
- (f) Approved measuring equipment shall be used to verify the legality of throwing implements to be used in the competition.
- (g) Throwing implements, starting blocks, and relay batons shall be furnished by the meet host

3. **Association and Regional Championships**

- (a) The meets shall be under the guidance of the Youth Athletics Committee through their respective Youth Chairs (Association Championships) and Regional Coordinators (Regional Championships).
- (b) The Championships shall be contested in accordance with Rules 300.2, (e), (f) and (g). Where possible, the meet should be contested on tracks that comply with rule 300.2(d). However, tracks without a curb may have cones laid out as described in Rule 160.3 provided the track has been measured 20cm from the white line in accordance with Rule 160.2.
- (c) The Association Youth Chair or Regional Coordinator or their designee shall serve as the Referee of their respective meets. The Referee shall be a certified official for Association Championships and a National or Master Certified official for Regional Championships.
- (d) Regional Championships and, whenever possible, Association Championships, shall be fully automatically timed. If the fully automatic timer fails or is not used, all affected meet results shall clearly indicate any times that are not fully automatic.

- 4. Regions Associations**
1. Adirondack, Connecticut, Long Island, Maine, Metropolitan, and New England
 2. Mid-Atlantic, New Jersey, Niagara, and Three Rivers
 3. Georgia, North Carolina, Potomac Valley, South Carolina, and Virginia
 4. Florida
 5. Kentucky, Lake Erie, Michigan, Ohio, and West Virginia
 6. Alabama, Southern, and Tennessee
 7. Illinois and Indiana
 8. Dakotas, Iowa, Minnesota, Nebraska, and Wisconsin
 9. Arkansas, Missouri Valley, Oklahoma, and Ozark
 10. Arizona, Border, Colorado, New Mexico and Utah
 11. Montana, Snake River, and Wyoming
 12. Gulf, South Texas, Southwestern, and West Texas
 13. Alaska, Inland Northwest, Oregon, and Pacific Northwest
 14. Central California, Hawaii, and Pacific
 15. Nevada, San Diego Imperial, and Southern California
 16. National Junior Olympics Championship Host Association, the Department of Defense Dependent Schools (DODDS) Europe and Pacific

**RULE 301
TRACK AND FIELD EVENTS**

The events listed below are included in the National Championships. (Combined events, where different from those described in Rule 200, are held in the event order indicated. Weights of implements are identical to those applicable to individual events in the respective age groups.)

BANTAM DIVISION

100 Meter Dash	High Jump	Triathlon: Shot Put (6 lb.)
200 Meter Dash	Long Jump	High Jump
400 Meter Dash	Shot Put (6 lb.)	200 Meter (G)
800 Meter Run	Mini Javelin (300g)	400 Meter (B)
1500 Meter Run	4x100 Meter Relay	
1500 Meter Race Walk	4x400 Meter Relay	

MIDGET DIVISION

100 Meter Dash	80 Meter Hurdles (30")	4 x 800 Meter Relay
200 Meter Dash	Long Jump	Pentathlon: 80 Meter Hurdles
400 Meter Dash	High Jump	Shot Put (6 lb.)
800 Meter Run	Shot Put (6 lb.)	High Jump
1500 Meter Run	Discus (1kg)	Long Jump
3000 Meter Run	Mini Javelin (300g)	800 Meter Run (G)
1500 Meter Race Walk	4 x 100 Meter Relay	1500 Meter Run (B)
	4 x 400 Meter Relay	

YOUTH DIVISION

100 Meter Dash	4 x 800 Meter Relay	Discus (1kg)
200 Meter Dash	100 Meter Hurdles (B-33")	Pole Vault
400 Meter Dash	100 Meter Hurdles (G-30")	Javelin (600g)
800 Meter Run	200 Meter Hurdles (30")	Pentathlon: 100m H
1500 Meter Run	High Jump	Shot Put (B 4kg/G 6 lb)
3000 Meter Run	Long Jump	High Jump
3000 Meter Race Walk	Triple Jump	Long Jump
4 x 100 Meter Relay	Shot Put (B-4kg)	800 Meter Run (G)
4 x 400 Meter Relay	Shot Put (G-6 lb.)	1500 Meter Run (B)

INTERMEDIATE DIVISION

100 Meter Dash	110/100 Meter Hurdles	(Boys 39" - Girls 33")
200 Meter Dash	400 Meter Hurdles	(B - 36" , G - 30")
400 Meter Dash	High Jump	Javelin (B 800 g - G 600g)
800 Meter Run	Pole Vault	Hammer (B 12lb - G 4kg)
1500 Meter Run	Long Jump	Decathlon (B)
3000 Meter Run	Triple Jump	Heptathlon (G)
2000 Meter Steeplechase	Shot Put (B 12 lb - G 4kg)	
3000 Meter Race Walk	Discus (B 1.6 kg - G 1kg)	
4 x 100 Meter Relay	4 x 400 Meter Relay	4 x 800 Meter Relay

YOUNG MEN'S/WOMEN'S DIVISION

100 Meter Dash	110/100 Meter Hurdles	(Boys 39" - Girls 33")
200 Meter Dash	400 Meter Hurdles	(B - 36" , G - 30")
400 Meter Dash	High Jump	Javelin (B 800 g - G 600g)
800 Meter Run	Pole Vault	Hammer (B 12lb - G 4kg)
1500 Meter Run	Long Jump	Decathlon (B)
3000 Meter Run (G)	Triple Jump	Heptathlon (G)
5000 Meter Run (B)	Shot Put (B 12 lb - G 4kg)	
2000 Meter Steeplechase	Discus (B 1.6 kg - G 1kg)	3000 Meter Race Walk
4 x 100 Meter Relay	4 x 400 Meter Relay	4 x 800 Meter Relay

RULE 302 REGULATIONS AND SPECIFICATIONS

1. General

No athlete may be advanced in the competition without having successfully qualified through required qualification rounds.

2. Track Events

- In one-day meets at the Association level, all events equal to or longer in distance than 200 meters may be run as timed finals.

- (b) The Games Committee may elect, in events of 800 meters and longer, and all relays, to use a qualification method based upon place and time in order to eliminate qualification rounds beyond one.
- (c) In Association and regional meets where all rounds are held on one day, and the competitors in the 100, 200, or hurdles advance directly to a final, the final may be run at the time of the scheduled preliminary.
- (d) No penalty shall be imposed for the first false start, but the Starter shall disqualify the offender or offenders on the second false start. False starts are called on individuals, not on the field.

NOTE: *In practice, when one or more competitors makes a false start, others are inclined to follow and, strictly speaking, any competitor who does so has also made a false start. The Starter should charge only the competitor or competitors who, in the Starter's opinion, were responsible for the false start. This may result in more than one competitor being charged with a false start. If the unfair start is not due to any competitor, no competitor shall be charged.*

- (e) Starting blocks: Athletes in the Intermediate and Young Men/ Women divisions shall, in accordance with Rules 161, be required to use starting blocks and a crouch position for all events up to and including the 400 Meter Runs and the first leg of all relays where that leg does not exceed 400 meters. For athletes in the Bantam, Midget, and Youth divisions, the general rules regarding the use of starting blocks and stance are waived; the use of starting blocks and stance is within the discretion of the competitor.
- (f) In sprint relays, the outgoing runners may place a suitable material as determined by meet management on the track. If other than adhesive tape, then it must be made clear in the meet information (passport) and meet management must supply the suitable material to be used to all teams.
- (g) The "honest participation" rule provided in Rule 142.3 and .4 shall not be applicable to Youth Athletics.
- (h) Whenever possible, and especially at Regional and National meets, lane staggers with one competitor per lane shall be used as follows:

800m Run, 4x800m Relay	One-turn stagger
4x400m Relay	Three-turn stagger

3. Relays

- (a) The procedure for entering a relay is given in the Youth Guide. Failure to comply with the procedure may result in disqualification.
- (b) A Relay team shall consist of four (4) members.

- (c) Participation of relay teams shall be limited to those clubs that hold a valid club membership in USATF.
- (d) All participants shall wear a top of the same color. At Regional and National Championships, all participants shall wear a top of a same color as well as shorts of a same color. The Games Committee shall assign an individual to review colors of team uniforms in the clerking area.
- (e) An athlete may drop an individual event to compete on a relay as long as the athlete has not competed in any round of that event. A 'no show' does not constitute a drop in that event. A change form must be submitted at registration 1½ hours prior to the scheduled start of the event being dropped.

Youth Athletics Nationals

- (f) Any athlete listed in the USATF membership database with the club in the same division/sex is eligible for that relay team.

Junior Olympics

- (g) To enter a relay in the Junior Olympics a relay roster is required.
- (h) The procedure for submitting a relay roster is given in the Youth Guide. The relay roster must be submitted by the entry deadline of the meet, whether the Association championship or preliminary meet, as specified in the entry material but not later than the first (1st) round of competition.
- (i) Any athlete listed on the club's relay roster in the same age division/sex is eligible for that relay team.
- (j) All competitors listed on the official roster are eligible to compete if they are entered in the meet in individual events or other relays. If an individual is not entered in the meet by either of the above methods stated above, that individual must complete and submit an entry form placing the word "roster" in the event section. An additional cost equal to the cost of a single event entry may be charged for each member entering by this method.

4. Hurdle and Steeplechase Specifications

- (a) Hurdle specifications are as follows:

DISTANCE	DIVISION	HURDLES	HEIGHT	TO FIRST	INTERVAL	TO FINISH
80m	MG & MB	8	30"	12m	7.5m	15.5m
100m	Youth Girls	10	30"	13m	8.0m	15.0m
100m	Youth Boys	10	33"	13m	8.5m	10.5m

100m	Int/Young W	10	33"	13m	8.5m	10.5m
110m	Int/Young M	10	39"	13.72m	9.14m	14.02m
200m	Youth B&G	5	30"	20m	35m	40m
400m	Int/Young W	10	30"	45m	35m	40m
400m	Int/Young M	10	36"	45m	35m	40m

- (b) The Steeplechase distance for Intermediate and Young Men's/Women's Divisions is 2000 meters.

NOTE: For steeplechase course and hurdle specifications, see Rule 169.2 and Rule 169.3.

5. Field Events

- (a) Measurements shall be in accordance with the general rules of competition of USATF.
- (b) The horizontal jumps and throws may be contested using flights. Flights will be composed on the basis of the submitted qualifying marks and shall be arranged with the highest qualifying flight competing last.
- (c) At meets other than Association, Regional and National Championships the Games Committee may use a four-attempt rule in lieu of three preliminary and three final attempts for finalists in the horizontal jumps and throws. Use of the four-attempt option must be stated prior to the beginning of the competition.
- (d) In the Long Jump, more than one take-off board may be used between 1m and 4.5m behind the landing area. In the triple jump, more than one take-off board may be used between 7 and 13m from the landing area. (Suggestions: Intermediate Boys/Young Men at 10m; Intermediate Girls/Young Women at 8m; Youth Boys/ Youth Girls at 7m). The take-off board may consist of material other than wood. More than one take-off board may be used with an indicator (such as orange cones) placed at both sides of the take-off board. Each jumper must declare prior to each jump which board he/she will use.
- (e) In the Shot Put, Discus, and Hammer a 34.92 degree sector shall be used. See Rule 187.22.
- (f) In throwing events, the use of tape on finger(s) and/or hand, unless used to cover an open wound, is strictly prohibited. No device may be used for the purpose of joining fingers together. As a support, tape may be used on the wrist only.
- (g) The number of spikes and/or cleats on shoes for the javelin shall not be limited where the runway has a natural or AstroTurf-type surface.

- (h) Privately owned javelins shall be exempt from the loss-of-identity rule (Rule 187.10).
- (i) In the Javelin Throw, the measurement of the throw shall be made from the nearest edge of the first point of contact made by the javelin in the sector to the inside circumference of the arc or foul line, measured along a line from the contact point of the tip, tail, or grip to the center of the circle of which the arc is a part.
- (j) In order to stage a Youth Athletics hammer or discus competition a protective cage is required (see Rule 190). If there is no cage or the cage is in such condition that it is not considered safe by the appropriate referee or his designee, then the events shall not be held.
- (k) In the High Jump and Pole Vault an athlete may be assisted in establishing the location of marks prior to the start of competition. Rule 181.3 will apply, except that no more than three marks may be used, and such marks cannot exceed 3 inches in length.
- (l) In the Pole Vault, movement of the uprights (Rule 183.1(a)) shall be limited to the area between 40cm and 80cm from the stopboard in the direction of the landing surface.
- (m) The practice of “tapping” (physically assisting) vaulters during their warm-ups is prohibited.
- (n) A competitor shall not use a training pole, a pole which is improperly marked or a pole rated below his/her weight during warm-up or competition. Prior to warm-up, the Inspector of Implements shall inspect each pole to be used in competition to verify that the poles are legal equipment. The competitor’s weight shall be at or below the manufacturer’s pole rating. It is the responsibility of the coach or parent to verify the competitor will use a legal pole rated at or above his/her weight.
NOTE: *The manufacturers shall include on each pole a pole rating that shall be a minimum of $\frac{3}{4}$ inch in a contrasting color located within or above the top hand-hold position with the position being determined by the manufacturer.*
- (o) In the National Youth Athletics Championships, the starting height in the High Jump and Pole Vault shall be 10cm and 30cm, respectively, below the prescribed standard. In the National Junior Olympic Championships, the starting heights shall be two (2) increments below the national standard as determined by the Youth Athletics Committee. Incremental increases shall be 5cm in the High Jump and 15cm in the Pole Vault.
- (p) When a High Jump or Pole Vault competitor is excused to participate in a running event, a reasonable time limit shall be established by the Games Committee or delegated to the affected Field Event Judge. No

time limit shall be imposed on competitors excused from throwing or horizontal jumping events, except that the competitor must return before the conclusion of all other preliminary attempts if excused during the preliminaries, or before the conclusion of all other final attempts if excused during the finals. Failure to return within the allocated period shall result in forfeiture of missed attempts. In both the preliminaries and the finals, the head event judge may allow attempts to be taken in succession before a competitor is excused, and make-up attempts may be taken in succession and out of order upon legally returning to the event. In the High Jump and Pole Vault, if the competitor has failed to return in the allotted time, and all other remaining competitors have passed, failed or cleared the existing height, the crossbar shall be raised to the next height and the judge will automatically pass the excused competitor to the new height.

- (q) In the High Jump and Pole Vault, a competitor who has passed three consecutive heights after the competition has begun may be permitted a warm-up jump without the crossbar in place. One such jump may be taken for each three passed heights and shall be taken as earned, not cumulatively.
- (r) At the National Junior Olympic Championship, when the field of pole vault competitors is reduced to 50% of the original number of vaulters, a 20 minute warm up period may be allowed for all remaining competitors who have not yet entered the competition. No cross bar will be allowed during the warm up period. After the 20 minute period, any athlete who has passed three consecutive increments will be allowed one run through, without the bar, at the height at which they enter the competition.

6. **Combined Events**

- (a) Rule 200 shall be followed unless otherwise provided herein.
- (b) Boys hurdle races shorter than 110 meters are scored from the men's 110 Meter Hurdles tables. Girls hurdle races shorter than 100 meters are scored from the women's 100 Meter Hurdles tables. Times for the Midget Boys' 80 Meter Hurdles shall be multiplied by 1.13 prior to entering the tables; for the Midget Girls' 80 Meter Hurdles, multiply by 1.07.
- (c) It is suggested that even-numbered lanes be used for hurdle events.
- (d) The increments for the Pole Vault will be 15cm and the High Jump 5cm.
- (e) The heptathlon must be contested over two days.
- (f) If groups are drawn in accordance with Rule 200.5, these groupings shall continue throughout the competition unless the Referee shall believe it desirable to rearrange any group or groups.

- (g) In the 800 meter run, the maximum number per heat shall be 12. When the number of competitors exceeds the number of lanes, the excess competitors shall share the even-numbers lanes starting from lane 8 working into lane 2. In the 1500 meters, the maximum number per heat shall be 18.

RULE 303
REGULATIONS FOR LANES AND HEATS

1. The method of advancement in all meets shall be published prior to the start of the meet. Any changes to the printed method shall be announced prior to the competition. Heats shall be formed according to the following regulations:
 - (a) The declared contestants will be assigned to preliminary heats in the order in which their names are listed on the performance list, working from left to right and then right to left. The only exception is when this procedure would cause unequal distribution of members from the same club. In this event, the slower athlete should be moved to another heat, interchanged with a competitor with the nearest comparable time as listed in that heat.
 - (b) In events run entirely or partially in lanes, only one participant shall occupy a lane, except as provided in (c), below.
 - (c) The 800 Meters and the 4x800 Meter relay shall be run with a one-turn stagger. The maximum number per heat shall be 12. When the number of competitors exceeds the number of lanes, the excess competitors shall share the even-numbered lanes starting from lane 8 and working into lane 2. Eight (8) competitors (9 on a 9-lane track) shall advance to the final of the 800 Meters. At Association and Regional meets, timed finals may be run with no more than 12 per section.
 - (d) The maximum number per heat in the 1500 Meters shall be 18. If heats are run, no more than 12 shall run in the final.
 - (e) In the Bantam and Midget divisions, events of 1500m and longer shall be contested as timed finals.
 - (f) In events of 2000m or longer, timed finals shall be run with no more than 24 participants per section.
 - (g) In forming heats for events run partially or entirely in lanes where hand timing is used, the guidelines in Rule 166.1 through Rule 166.5 shall be followed.
 - (h) When fully automatic timing (FAT) is used, the following table may be used:

EIGHT LANES FAT ONLY

No. of Entries	No. Trial Heats	No. Qualifying	No. Semi-Finals	No. Qualifying	No. in Final
1 to 8	0	-	0	-	1 to 8
9 - 16	0	-	2	3 + next 2 best times	8
17 - 24	0	-	3	2 + next 2 best times	8
25 - 32	0	-	4	1 + next 4 best times	8
33 - 40	0	-	5	1 + next 3 best times	8
41 - 48	0	-	6	1 + next 2 best times	8
49 - 56	7	3 + next 3 best times	3	2 + next 2 best times	8
57 - 64	8	2 + next 8 best times	3	2 + next 2 best times	8
65 - 72	9	2 + next 6 best times	3	2 + next 2 best times	8
73 - 80	10	2 + next 4 best times	3	2 + next 2 best times	8
81 - 88	11	2 + next 2 best times	3	2 + next 2 best times	8

NINE LANES FAT ONLY

1 to 9	0	-	0	-	1 to 9
10 - 18	0	-	2	3 + next 3 best times	9
19 - 27	0	-	3	2 + next 3 best times	9
28 - 36	0	-	4	1 + next 5 best times	9
37 - 45	0	-	5	1 + next 4 best times	9
46 - 54	0	-	6	1 + next 3 best times	9
55 - 63	0	-	7	1 + next 2 best times	9
64 - 72	8	3 + next 3 best times	3	2 + next 3 best times	9
73 - 81	9	3	3	2 + next 3 best times	9
82 - 90	10	2 + next 7 best times	3	2 + next 3 best times	9
91 - 99	11	2 + next 5 best times	3	2 + next 3 best times	9

- (i) The following procedure shall be used in forming heats:
 - i. Weigh place first.
 - ii. Weigh time second.
 - iii. Seed each group of place winners as a unit by their times. Seed winners, then seed second places, etc. Work left to right, then right to left.
 - iv. If members from same club cause unequal distribution, adjust per Rule 303.1(a).
 - v. If all heats do not have an even number of competitors, draw by lot to an assigned heat.
 - vi. Heat order is drawn by lot.
 - (j) The following procedure shall be used in assigning lanes:
 - i. In the first round, lanes will be drawn by lot.
 - ii. For all other rounds, two draws will be made:
 - a. Draw for lanes 3, 4, 5, 6 for qualifiers with the four best times.
 - b. Draw remaining lanes for remainder of qualifiers.
 - (k) Where other than eight or nine lanes exist, modify procedures as appropriate.
2. Unless otherwise provided by the Games Committee, whenever the number of entries or scratches reduces the number of actual participants in any heat or round of heats so as to eliminate the element of competition or creates a situation whereby the number of heats can be reduced, the Referee or designee shall redraw in the best interest of the competition.
 3. In the event that under paragraph 1(h), for those qualifying for succeeding rounds by method of best times, a tie causes more qualifiers than available lanes, the Referee shall determine if a run-off among those affected shall be conducted. If no run-off is conducted, those affected are eliminated.
 4. In the National Youth Athletics Championships, events of 100 meters to 800 meters inclusive, and relays up to and including the 4 x 400 meters, the fastest eight times from the preliminary round shall advance to the finals.

RULE 304
NATIONAL CROSS COUNTRY PROGRAM

1. General

The Youth Athletics Committee shall conduct cross country for all divisions in the USATF Youth Athletics program. Divisions shall be as set forth in Rule 300.1(b). National Championships may be conducted as directed by the Cross Country Subcommittee upon approval of the Youth Athletics Committee.

2. Distances

The Bantam and Midget divisions shall run approximately 3km. The Youth division shall run approximately 4km. The Intermediate and Young Men's/Women's divisions shall run approximately 5km.

3. Course

- (a) The course must be clearly marked, preferably with red flags to indicate a left turn, yellow flags to indicate a right turn and blue flags to indicate continuing straight ahead. All flags must be visible from a distance of 125m.
- (b) There shall be no turn within 400m of the start. The running path shall be wide enough to allow several runners abreast during most, if not all, of the distance.

4. Scoring

A team shall be composed of from five to a maximum of eight members. Team scoring shall be by place, in accordance with Rule 7.

5. Uniform

See Rule 253.

6. Competition Numbers

Competition numbers shall be worn chest-high in front.

RULE 305
JUNIOR OLYMPICS PROGRAM

1. General

- (a) The Youth Athletics Committee shall conduct the Junior Olympics athletics program of USATF. Junior Olympic meets shall be solely sanctioned and conducted under the aegis of USATF and its procedures. There shall be no dual sanctioning of Junior Olympic meets of USATF.

- (b) All of the competitions shall be conducted exclusively under the auspices of USATF. ("Exclusive USATF auspices" means that direction, publicity, promotion, rules, and awards must be entirely USATF.)
- (c) There will be competition for boys and girls in preliminary meets and in Association, Regional and National Championships in age divisions by year of birth. Events and age divisions are the same as for the regular USATF Youth Athletics National Championships program. The hammer throw is an optional event in the Association Junior Olympics until January 1, 2010, when it becomes an official event.
- (d) An Association is allocated, by agreement with other Associations in its Region, a certain number of athletes and relay teams from the Association level to the Regional level through the Association Championships.
- (e) The Youth Athletics Executive Committee may advance any athlete into the National Junior Olympics meet because of extraordinary circumstances. The request must be made through the Regional Coordinator in writing, who must submit it to the Youth Athletics Chairperson.
- (f) With the approval of the Association, athletes who miss their Association Championships because of extraordinary circumstances may be advanced to the Regional meet so long as such advancement does not displace an athlete who competed in the Association meet and does not exceed the Association's allocation to the Regional meet.

2. Track and field qualifying procedures

- (a) An athlete can miss the Association Championship but not the Regional Championship, because of participation in a USATF cultural exchange trip. These exceptions must be worked out with the athlete's Regional coordinator before the meet takes place.
- (b) Athletes who compete in the Junior National Championships or World Youth Championships may be entered in the National Junior Olympic meet without having to compete in the Association or Regional meet provided that they meet the Youth Athletics age limits. Acquisition of the waiver and completion of the entry to the National meet must be made prior to the Regional meet via the Regional coordinator.
- (c) Athletes from the Department of Defense Dependent Schools (DODDS) may be entered in the National Junior Olympic Championship without having to compete in a Regional meet, provided that they meet the Youth Athletics age requirements. They must enter through the Association hosting the National Junior Olympic Championship.

- (d) Track and field shall advance three placed individuals and three placed relay teams from each Regional to National. These shall be the top three finishers in each event, or successive event finishers who have achieved a performance standard at the Regional Championship when fewer than three declare in the event from that Region for National. The combined events shall advance the top two placed individuals. A third shall advance only after meeting a performance standard at the Regional Championship. The performance standard for all events is the average of the 8th place in the last three National Junior Olympic Championships. The host Association shall qualify a like number.
- (e) An Association shall be allowed to advance alternate(s) from the Association to the Regional level, subject to the Association's filing deadline for the Regional meet.
- (f) Athletes who tie for third place at the Regional Track and Field meet shall be advanced to the national Junior Olympic Championships.

3. **Cross country qualifying procedures**

Where an Association holds preliminary meets, these will serve as qualifiers for its Championships; Association Championships are qualifiers for Regional Championships, and the Regionals are qualifiers for the Nationals.

- (a) It is suggested that 25 individuals and 3 teams advance from preliminary meets to Association meets and a like number of individuals and teams advance from Association meets to Regional meets. These numbers may be adjusted by the Association chair and Regional coordinator respectively for the purpose of accommodating their local situations.
- (b) Teams must represent current USATF member clubs; and athletes representing clubs must be registered members of said clubs prior to participation in their Association Championships.
- (c) All members of the same club listed on the team declaration roster at the Association finals are eligible to compete on the club's team (minimum of 5, maximum of 8) in the next round of Qualifications up to and including the National Championships as long as the team qualifies. In order to declare a team, a club must enter a minimum of 5 and a maximum of 8 athletes by the entry deadline. The composition of the team at each round can change if you submit a change form at the registration at packet pick-up at least 2 hours prior to the race and any athlete changed must be listed on the declaration roster.
- (d) A region, through a unanimous vote of Associations in the region, shall

determine the procedure for qualifying from the Regional to the National Junior Olympics cross country championships. The regions may vote for one, but not both, of the following means of qualifying: (i) qualify the top three (3) teams and the top 20 individuals from the regional meet, or (ii) qualify the top team and the top ten (10) individuals directly from the Association Championship.

- (e) The number of qualifiers from Regional meets is fixed and no alternates may advance. Individuals finishing in the top twenty (20) places and who are also members of the qualifying teams are not displaced so that additional finishers beyond twentieth may not advance. Any team may advance if it has five (5) or more individuals placing in the top twenty (20) in the Regional meet. No team finishing beyond third place may advance based solely upon either or both of the first two teams' choosing not to advance.
 - (f) Athletes who compete in their state high school or collegiate championship series may be advanced into their Regional if their Association meet date is in conflict with their school competition. Conflict means both meets are held within 48 hours of the other. A Team may also be advanced provided that all alternates listed on the declaration Roster were also in conflict with the school competition; therefore, not having a minimum of 5 athletes to participate. This Roster must have been submitted by the Registration Deadline of the Association meet and no additional names can be added. The final decisions on the granting of this waiver will be made by the Regional coordinator.
4. The entry information procedure and awards information can found in the Youth Guide.

RULE 306

SPECIAL EVENTS AND PROGRAMS

1. General

- (a) The National Youth Athletics Committee may supplement existing programs with any approved event it deems in its best interest.
- (b) The Youth Athletics Committee shall determine the method and/or the number of qualifiers in special events and programs and list that information in a guide designed to serve such event or program.

2. Pilot Programs or Competitions

- (a) Regional Youth Athletics indoor meets may be held and shall be awarded by those Association delegates represented in each Youth Athletics Region.

- (b) The National Youth Athletics Committee may adopt other pilot programs in Track and Field, Race Walking, Cross Country, or Long Distance Running.

SECTION II
MASTERS ATHLETICS

RULE 320
GENERAL RULES

- Articles I through VII of the Rules of Competition of USATF shall be followed unless otherwise provided in this Article VI, Section II (including Sections II-A and II-B).
- There shall be the following age divisions for individual competition (five-year age groups):

AGES	MEN	WOMEN
30-34	M30	W30
35-39	M35	W35
40-44	M40	W40
45-49	M45	W45
50-54	M50	W50
55-59	M55	W55
60-64	M60	W60
65-69	M65	W65
70-74	M70	W70
75-79	M75	W75
80-84	M80	W80
85-89	M85	W85
90-94	M90	W90
95-99	M95	W95
100+	M100	W100

- There shall be the following age divisions for team and relay competition (ten-year age groups):

AGES	MEN	WOMEN
30+	M30	W30
40+	M40	W40
50+	M50	W50
60+	M60	W60
70+	M70	W70
80+	M80	W80
90+	M90	W90

- The age of a competitor on the first day of the meet determines the competitor's division for individual events.
- The age on the first day of a meet of the youngest member shall determine the age division of a team in a team event or relay.

6. The age division of an individual is not affected by the age division of a team or relay for which the individual competes.
7. The Meet or Race Director shall have the authority to request proof of age and/or a medical certificate attesting to the competitor's physical ability to compete. In addition, each competitor shall sign a "hold harmless" release.
8. A mixed event containing male and female participants is allowed. Masters records may be made in mixed age and/or mixed sex competitions.

SECTION II-A
MASTERS TRACK AND FIELD AND RACEWALKING

RULE 330
GENERAL RULES

1. Rules 330 through 333 apply to National, Regional, and Association Masters Championships. Meet Directors of non-championship events are also encouraged to follow these rules.
2. The Masters Track and Field Committee shall conduct and supervise a program for track and field and race walking for all athletes over the age of 35. The committee may conduct Championships for athletes aged 30 through 34.
3. In all National, Regional and Association Masters Championships, there must be a full complement of individual events, by five-year age divisions, for both men and women. There shall be a minimum of three prizes per division for US citizens in each event. In the National and Regional Outdoor Championships, ribbons or equivalent are recommended for US citizens in places 4-6. In all National Championships, duplicates for all awards shall be provided for non-US citizens who place 1-6. In Regional Championships, equivalent awards shall be provided for non-residents who place 1-6.

RULE 331
MASTERS TRACK AND FIELD CHAMPIONSHIPS

1. The standard Championship events are:

(a) National Indoor Track and Field

60 Meters, 200 Meters, 400 Meters, 800 Meters, 1500 Meters, 3000 Meters, 60 Meter Hurdles, 1600 Meter Relay, 3200 Meter Relay, 3000 Meter Walk, High Jump, Pole Vault, Long Jump, Triple Jump, Shot Put, Weight Throw, Superweight Throw, Pentathlon

(b) National Outdoor Track and Field

100 Meters, 200 Meters, 400 Meters, 800 Meters, 1500 Meters, 5000 Meters, 10,000 Meters, 80/100/110 Meter Hurdles, 300/400 Meter Hurdles, 2000/3000 Meter Steeplechase, 5000 Meter Walk, 10,000 Meter Walk, 400 Meter Relay, 1600 Meter Relay, 3200 Meter Relay, High Jump, Pole Vault, Long Jump, Triple Jump, Shot Put, Discus Throw, Javelin Throw, Hammer Throw, Pentathlon

NOTE: *For events in the Pentathlon, see rule 200*

(c) Regional and Association Indoor Track and Field

The same events as those conducted in the National Indoor Track and Field Championships. The Superweight Throw and Pentathlon are optional. For the racewalk, the 1500 Meters may be substituted for the 3000 Meters in Association Championships.

(d) Regional and Association Outdoor Track and Field

The following events shall be held:

100 Meters, 200 Meters, 400 Meters, 800 Meters, 1500 Meters, 5000 Meters, 80/100/110 Meter Hurdles, 300/400 Meter Hurdles, 5000 Meter Walk, 400 Meter Relay, 1600 Meter Relay, 3200 Meter Relay, High Jump, Pole Vault, Long Jump, Triple Jump, Shot Put, Discus Throw, Javelin Throw, Hammer Throw

The following events may be held:

10,000 Meters, 2000/3000 Meter Steeplechase, 10,000 Meter Walk, Weight Throw, Superweight Throw, Pentathlon, Heptathlon, and Decathlon

NOTE: *For combined events, see Rule 200*

(e) National Decathlon/Heptathlon

See Rule 200.

(f) National Weight Pentathlon

See Rule 201.

(g) National Indoor Heptathlon

The competition consists of seven events in the following order:

First day 60 Meters, Long Jump, Shot Put, High Jump

Second day: 60 Meter Hurdles, Pole Vault, 1000M(M)/ 800M(W)

(h) National Outdoor Weight Throws

Weight Throw

Superweight Throw

Ultraweight Pentathlon

2. There shall be club Championships at National Indoor and Outdoor Track and Field Championships. There may be club Championships at Regional and Association Championships. Scoring shall be in the following manner:

(a) National Championship: Scoring shall be in each five-year age group and

shall be eight (8) points for each first place scored, six (6) points for each second, four (4) points for third, three (3) points for fourth, two (2) points for fifth, and one (1) point for sixth. Scoring in the different age groups, for both men and women, shall be added together to determine club champions. Awards shall be given to the top three clubs.

- (b) Regional and Association Championships: Scoring for men and women may be separate or together and may be in the following age categories: 30-39, 40-49, 50-59, 60 & over. The scoring method shall be described in the entry material.
3. When it is not feasible to hold an event as a standard championship event, the Sport Committee may authorize the elimination of that event or the substitution of a comparable event. In addition, the Sport Committee may authorize the substitution of One Mile for 1500 Meters, either indoors or outdoors. In either case, the elimination or substitution must be reflected in the entry form and apply to all age groups.

RULE 332
COMPETITIVE RULES AND STANDARDS FOR
MASTERS TRACK AND FIELD

1. General

- (a) There shall be no Regional Championship restrictions to any Masters competitor involving eligibility to compete.
- (b) Where the number of entrants warrants it, finals may be conducted for multiple ages and/or mixed sexes simultaneously, subject to the following restrictions:
 - i. In events starting in lanes, all competitors in a given age division must start in contiguous lanes.
 - ii. In the throwing events, the groups that are consolidated groups should all use the same implement weight. For example, M60 and M65 may compete simultaneously in the shot put, since both groups use a 5kg shot, but M65 and M70 should not compete simultaneously since M70 uses a 4kg shot.
 - iii. In field events, each consolidated flight should contain no more than 12 competitors.

- (c) Every Championship event, including combined event championships, will use the implement weights, hurdle heights and spacings, and race lengths approved by WMA as of January 1 of the current year. A specification will be considered to have been approved by WMA when it has been published in the most recent IAAF/WMA Handbook approved by the IAAF and WMA Councils. In the case of a new implement, this must include complete specifications. For those events included in combined events, this must also include revised scoring tables. If WMA approves a specification change prior to January 1 with an effective date after January 1, the Masters Committee may adopt the new specification with an effective date of either (1) January 1 prior to the WMA effective date, (2) the same date as the WMA effective date, or (3) the January 1 after to the WMA effective date, and publish such date in these Rules.

2. Track

- (a) In order to complete the National Track and Field Championships within the schedule, the Masters Track and Field Committee may adopt and publish a table for advancement to replace that of Rule 166.1(h), as long as the principles for advancement are maintained: advancement is primarily by place; and at least two, and preferably three or more, competitors will advance on place from any heat to the subsequent round.

NOTE: *For indoor meets, the minimum number of athletes advanced by place may be reduced.*

- (b) When an individual or relay team, having qualified for a subsequent round, withdraws for any reason, the fastest non-qualifier may be advanced to fill the vacated position. When an individual or team is disqualified, Rule 166.7 applies.

- (c) No penalty shall be imposed for the first false start, but the Starter shall disqualify the offender or offenders on the second false start. False starts are called on individuals, not on the field.

NOTE: *In practice, when one or more competitors makes a false start, others are inclined to follow and, strictly speaking, any competitor who does so has also made a false start. The Starter should charge only the competitor or competitors who, in the Starter's opinion, were responsible for the false start. This may result in more than one competitor being charged with a false start. If the unfair start is not due to any competitor, no competitor shall be charged.*

- (d) The general rule regarding the use of starting blocks and stance is waived. The use of blocks and stance is within the discretion of the competitor.
- (e) In events of 1500 meters or longer, timed finals shall be run. In events of 2000 meters or longer, the number of participants per section is limited by

Rule 166.1(c). The total number in the 1500 meters and any race walk should not exceed 24. For seeding of timed finals, see Rule 166.4

- (f) In all hurdle races, competitors shall hurdle with a continuous motion such that both feet shall be off the ground at least for an instant.
- (g) Relay teams are defined as follows:

Club: In accordance with Regulation 7, all members must be resident in the Association in which the club is registered (or meet the residency exception of Regulation 7).

Non-Club: Any team not meeting the club definition. Non-club relay teams are defined as:

- i. Association: All members must hold current USATF membership in the same Association, or
- ii. Region: All members must hold current USATF membership in the same USATF Masters region, or
- iii. Unrestricted: Any relay team that does not meet one of the three definitions above.

Club and Non-Club relay teams shall be separate divisions. At Association, Regional, and National Track and Field Championships, and all other meets, each relay team must meet one of the definitions above, or be a foreign national team as guest competitors in the Non-Club Division. A team meeting any of the above definitions may set a Masters record. Separate records shall be maintained in the relays for (1) Club teams and (2) Non-Club teams.

- (h) At National Track and Field Championships, the athletes advanced to the final in every event shall consist of at least 2/3rds who are USA affiliated as determined by WMA. If adjustments are needed to meet this requirement, then the reduction in guest finalists shall be determined by performance with no consideration to place. Those USA affiliated athletes that were advanced to the finals by place shall retain their position and the additional USA affiliated athletes that will be added to the final shall be selected by performance with no consideration to place. The number of finalists shall not be increased to include additional non-USA affiliated athlete finalists.
- (i) Combined event scoring will use current WMA scoring procedures, WMA Age Factors and IAAF scoring tables.

NOTE: *Age factors for ages 30 to 39 are published in Masters Age-Graded Tables.*

- (j) In all hurdle races, competitors shall hurdle with a continuous motion such that both feet shall be off the ground at least for an instant.
- (k) The Masters Track & Field Committee may approve exceptions to the use of listed specifications if items are unavailable. The tables on the following pages show WMA specifications:

HURDLE HEIGHTS AND SPACINGS

Ages	Distance	Height	#	To 1st	Between	to Finish
------	----------	--------	---	--------	---------	-----------

WOMEN'S INDOOR

30-39	60m	0.840m (33")	5	13.00m	8.50m	13.00m
40-49	60m	0.762m (30")	5	12.00m	8.00m	16.00m
50-59	60m	0.762m (30")	5	12.00m	7.00m	20.00m
60&up	60m	0.686m (27")	5	12.00m	7.00m	20.00m

MEN'S INDOOR

30-49	60m	0.991m (39")	5	13.72m	9.14m	9.72m
50-59	60m	0.914m (36")	5	13.00m	8.50m	13.00m
60-69	60m	0.840m (33")	5	16.00m	8.00m	12.00m
70-79	60m	0.762m (30")	5	12.00m	7.00m	20.00m
80&up	60m	0.686m (27")	5	12.00m	7.00m	20.00m

WOMEN'S OUTDOOR SHORT

30-39	100m	0.840m (33")	10	13.00m	8.50m	10.50.m
40-49	80m	0.762m (30")	8	12.00m	8.00m	12.00m
50-59	80m	0.762m (30")	8	12.00m	7.00m	19.00m
60&up	80m	0.686m (27")	8	12.00m	7.00m	19.00m

MEN'S OUTDOOR SHORT

30-49	110m	0.991m (39")	10	13.72m	9.14m	14.02m
50-59	100m	0.914m (36")	10	13.00m	8.50m	10.50m
60-69	100m	0.840m (33")	10	16.00m	8.00m	12.00m
70-79	80m	0.762m (30")	8	12.00m	7.00m	19.00m
80&up	80m	0.686m (27")	8	12.00m	7.00m	19.00m

HURDLE HEIGHTS AND SPACINGS

Ages	Distance	Height	#	To 1st	Between	to Finish
------	----------	--------	---	--------	---------	-----------

WOMEN'S OUTDOOR LONG

30-49	400m	0.762m (30")	10	45m	35m	40m
50-59	300m*	0.762m (30")	7	50m	35m	40m
60&up	300m*	0.686m (27")	7	50m	35m	40m

MEN'S OUTDOOR LONG

30-39	400m	0.914m (36")	10	45m	35m	40m
50-59	400m	0.840m (33")	10	45m	35m	40m
60-69	300m*	0.762m (30")	7	50m	35m	40m
70&up	300m*	0.686m (27")	7	50m	35m	40m

**The locations for the hurdles in the 300m event are the same as those of the last seven hurdles of the 400m event. They are not same as the high school 300m hurdle race, which uses eight hurdles.*

WOMEN'S STEEPLECHASE

All	2000m	0.762m (30")	See Rule 169
-----	-------	--------------	--------------

MEN'S STEEPLECHASE

30-59	3000m	0.914m (36")	See Rule 169
60&up	2000m	0.762m (30")	

3. Field

- (a) The procedures set forth in Rule 180.7 shall be applied when there are more than 12 competitors in field events.
- (b) When a vertical jumps group of competitors is sufficiently large and/or diverse in ability, the head judge and the jumps referee may have the option of dividing the group into two simultaneous competitions. The same progression of increments shall be used.
- (c) In the High Jump and Pole Vault, a competitor who has passed three consecutive heights after the competition has begun may be permitted a warm up jump without the crossbar in place. One such jump shall be allowed for each three passed heights and may be taken only as earned, not cumulatively.
- (d) In the High Jump and Pole Vault, Masters competitors are allowed to touch the landing area before clearing the bar, but may not use the landing area to any advantage as determined by the Field Judge.
- (e) Rule 181.7 applies to any competitor who has won an age division, subject to the following. For any heights not announced by the Chief Judge at the

beginning of the competition, only a competitor who has won an age division may jump or vault. Any such additional heights will be in the normal sequence of raising the bar.

NOTE: For example, assume the Chief Judge announces ..., 1.80m, 1.85m, 1.90m,... at the beginning of the competition. If competitor A wins at 1.80m, with B and C in another age group, and requests 1.88m, the bar will first be raised to 1.85m for B and C, then 1.88m for A only, then 1.90m, etc.

- (f) Privately owned implements shall be exempt from the loss of identity rule (Rule 187.10).
- (g) The WMA specifications for throwing implements, including the Superweight, are shown in the following table:

WMA IMPLEMENTS					
Ages	Shot	Discus	Hammer	Javelin	Weight
WOMEN					
30-49	4 kg	1 kg	4 kg	600 g	9.08 kg (20 lb)
50-59	3 kg	1 kg	3 kg	500 g	7.26 kg (16 lb)
60-79	3 kg	1 kg	3 kg	400 g	5.45 kg (12 lb)
80+	3 kg	0.75 kg	3 kg	400 g	5.45 kg (12 lb)
MEN					
Ages	Shot	Discus	Hammer	Javelin	Weight
30-49	7.26 kg (16 lb)	2 kg	7.26 kg (16 lb)	800 g	15.88 kg (35 lb)
50-59	6 kg	1.5 kg	6 kg	700 g	11.34 kg (25 lb)
60-69	5 kg	1 kg	5 kg	600 g	9.08 kg (20 lb)
70-79	4 kg	1 kg	4 kg	500 g	7.26 kg (16 lb)
80&up	3 kg	1 kg	3 kg	400 g	5.45 kg (12 lb)

SUPERWEIGHT	
Ages	Weight
WOMEN	
30-49	15.88kg (35 lb)
50-69	11.34kg (25 lb)
70 & up	9.08kg (20 lb)
MEN	
30-59	25.40kg (56 lb)
60-69	20.00kg(44 lb)
70-79	15.88kg (35 lb)
80 & up	11.34kg (25 lb)

RULE 333
MASTERS RACE WALKING CHAMPIONSHIPS

1. **Outdoors**

Masters race walking Championships may be held at any distance of 1500 meters or longer and may be conducted with the Open Championships. A 5000 Meter Walk is a Championship event in the National Outdoor Track and Field Championships, held in addition to the 5000 Meter Walk Championship conducted in accordance with the list in Rule 25.1(a).

2. **Indoors**

The 3000 Meter Walk is an event in the National Indoor Track and Field Championships.

For record requirements, See Rule 266.

For Championship meet requirements, See Rules 25.2 through 25.4.

**SECTION II-B
MASTERS LONG DISTANCE RUNNING**

**RULE 340
GENERAL RULES**

1. The Masters Long Distance Running Committee shall conduct and supervise a program for long distance running for all athletes over the age of 40. Effective 1/1/2011, the Masters Long Distance Running Committee shall conduct and supervise a program for long distance running for all athletes over the age of 35.
2. All long distance running races with masters athletes are encouraged to follow the rules for Masters Long Distance Running Championships whenever possible.
3. A competitor may be asked to provide his/her legal date of birth when he/she registers for a USATF sanctioned competition. In the case that a competitor claims a record or receives prize money for any age-dependent event, he/she may be required to present proof of age. The form of proof unless otherwise specified, shall be a certified copy of a birth certificate or a passport. Once an athlete has declared a birth date for U.S. competition, the athlete may not subsequently change that birth date to gain an advantage in a different age group. In the event that an actual birth date is unascertainable for a foreign competitor, he/she shall contact the embassy in the US of the competitor's country of citizenship or birth and determine the best method for age verification. This method may include issuance of a new passport, certified birth certificate or court order verifying the age of the individual. The obligation to obtain age verification documentation is on the athlete.

**RULE 341
MASTERS LONG DISTANCE CHAMPIONSHIPS**

1. Team Championships in cross country shall be conducted in 10-year age divisions for men and women: 40+, 50+, 60+ and 70+. Team Championships in these same divisions may be conducted in other Masters long distance events. Team scoring for distances up to and including 25 kilometers shall be as follows: M40+ and M50+ five (5) individuals shall score; M60+, Men 70+, and all women's teams three (3) individuals shall score; for distances over 25 kilometers all teams shall have three scoring members. In Association championships, the maximum number of entries for a team, and the number of members of each team to finish for scoring may be determined by the Games Committee.

MASTERS CROSS COUNTRY TEAM DECLARATIONS AND SCORING

Age Group	FALL	WINTER	DECLARED	SCORERS
M 40+, 50+	10,000m	8000m	8	5
M 60+, 70+	10,000m	8000m	5	3
W40+, 50+	6000m	8000m	5	3
W60+, 70+	6000m	8000m	5	3

2. Masters Championships may be held at any distance of one mile or longer off the track (*i.e.*, road, trail, mountain or cross country), and at any distance longer than 10,000 meters on the track.
3. Championships must be sanctioned by USATF, and road courses should be certified prior to bid submittal and must be USATF-certified prior to the running of the event.
4. The age of the competitor on the day of the start of the race determines the age division. A runner may compete in a younger division as a team member. If he/she runs on a younger team, the runner may still compete as an individual in his/her true age division if both divisions are run simultaneously. Only a birth certificate or a U.S. passport will be acceptable as proof of age.
5. Competitors in a Championship must be current members of USATF. Only U.S. citizens shall be allowed to win USATF medals and other Championship awards or to score on a team.
6. In Masters LDR championships, to be eligible for individual or team scoring or awards, a bib, supplied by the games committee which identifies gender and age group, shall be worn on the back.
7. If a Masters Championship is part of a larger event, Championship competitors shall be eligible for awards in their divisions or age groups in the non-championship event.
8. Teams shall represent current member clubs of USATF, verified through the national office. USATF Association, Regional, or National "all-star" teams are not eligible to compete in Masters Long Distance Running Team competition. Team members shall be affiliated with the club they are representing on their USATF membership record prior to entering the competition.
9. For team scoring, see Rule 7.
10. An event chosen to be a Masters Long Distance Running Championship must use "select timing" to validate times and records (Rule 265.1). For timing practices, see Rule 165.

11. Regulation USATF medals may be awarded to first, second, and third place individuals in each age division and to the declared members of the first, second and third place teams in each team division. Championship patches may be awarded to the winners of each age division and to the declared members of the winning team in each team division.



ILLUSTRATIONS

EXAMPLE OF APPROVED HURDLE

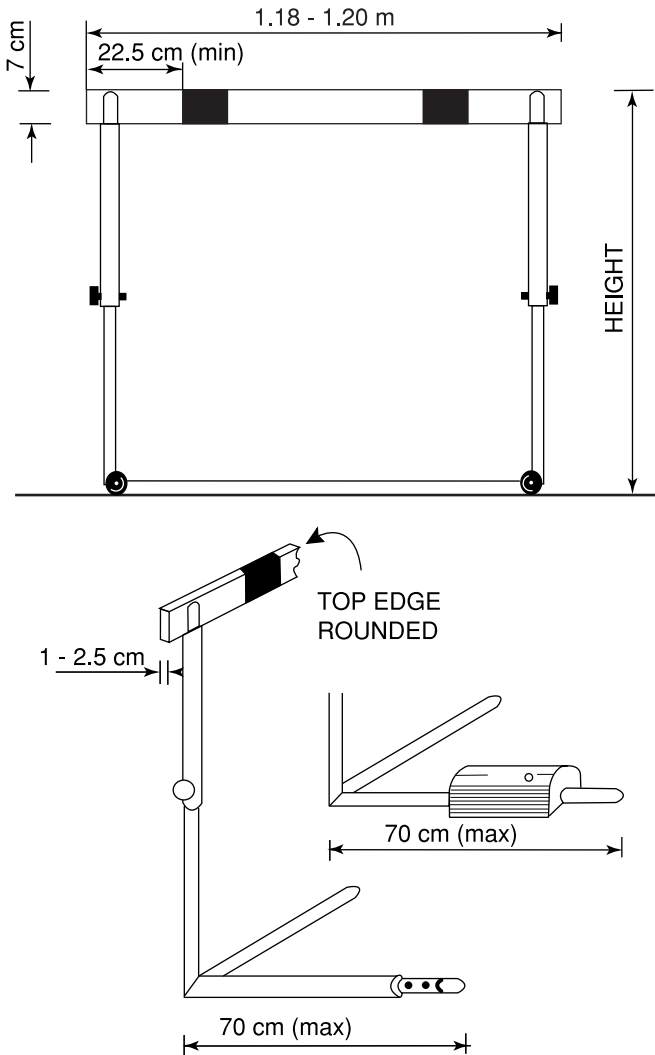


FIGURE 1

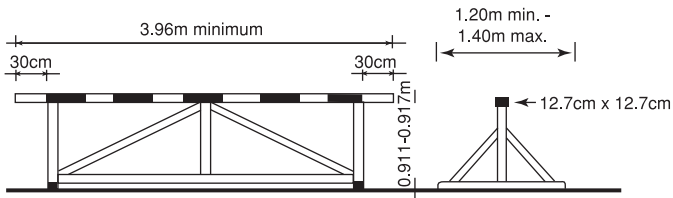


FIGURE 3 – STEEPLCHASE BARRIER

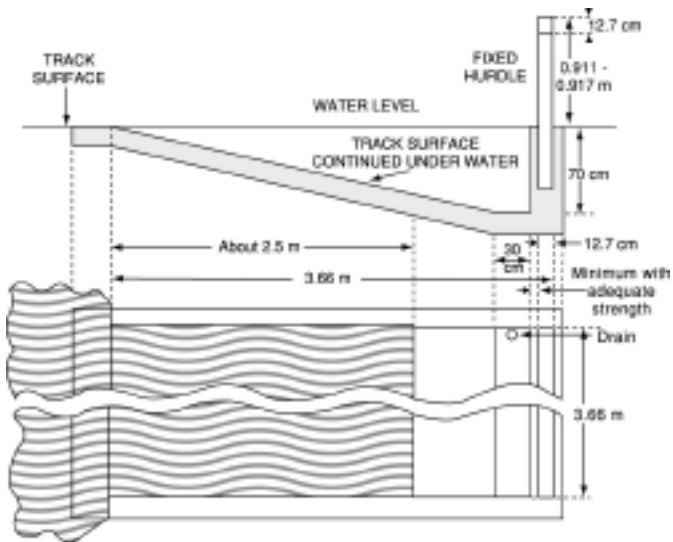
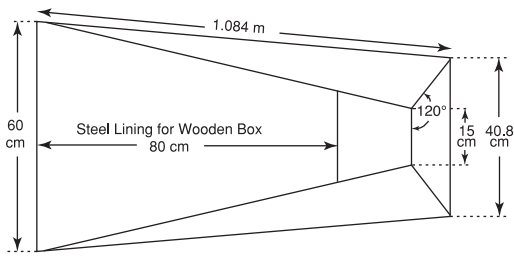


FIGURE 4 – WATER JUMP



PLAN VIEW

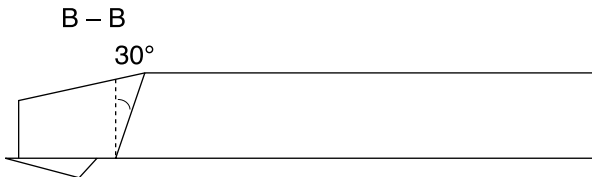
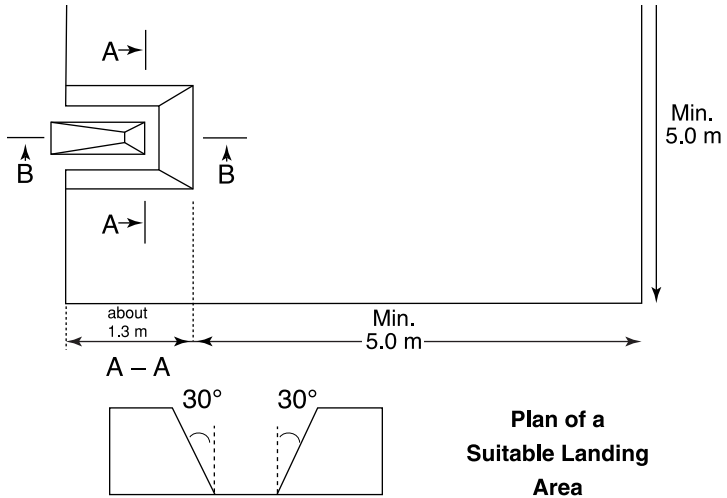
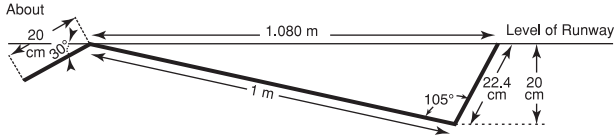


FIGURE 5 – POLE VAULT BOX AND LANDING AREA

FIGURE 6 – TAKE-OFF BOARD AND PLASTICINE BOARD

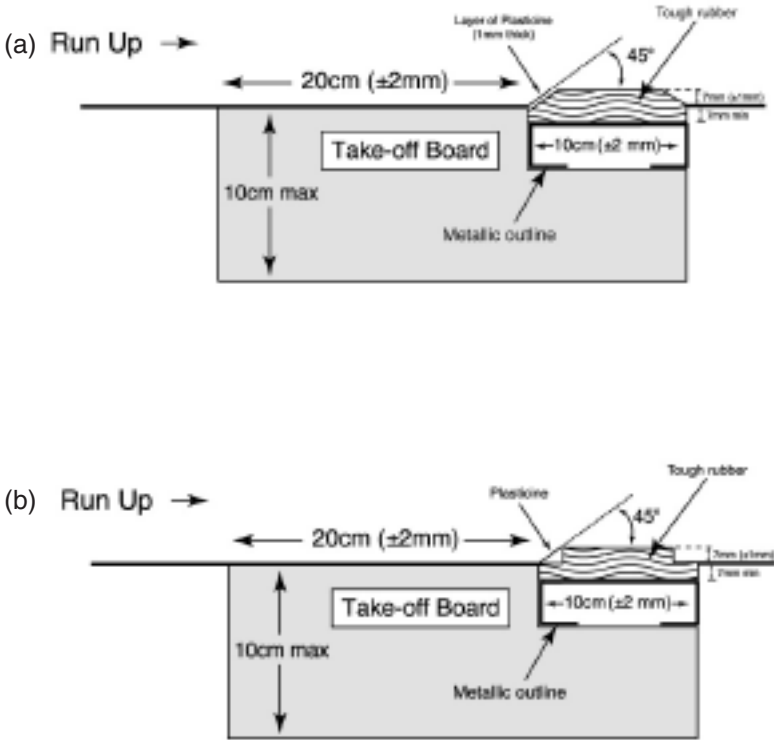


FIGURE 7 – END VIEW OF CROSSBAR

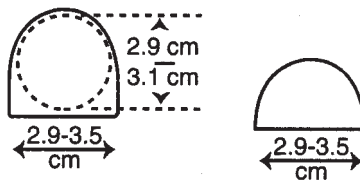


FIGURE 8 – LAYOUT OF CONCENTRIC CIRCLES FOR DISCUS AND HAMMER

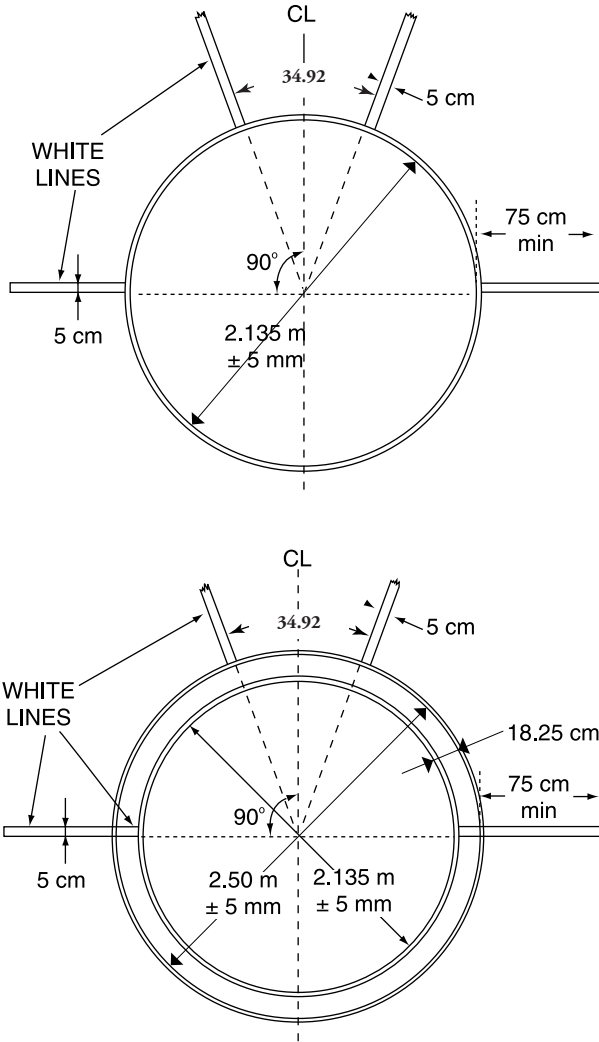


FIGURE 9 – LAYOUT OF SHOT STOPBOARD

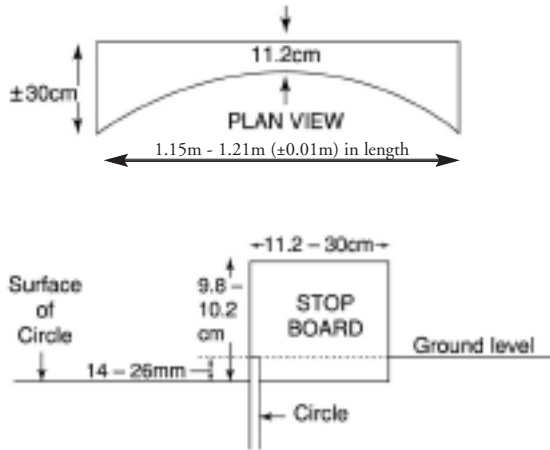


FIGURE 10 – DISCUS

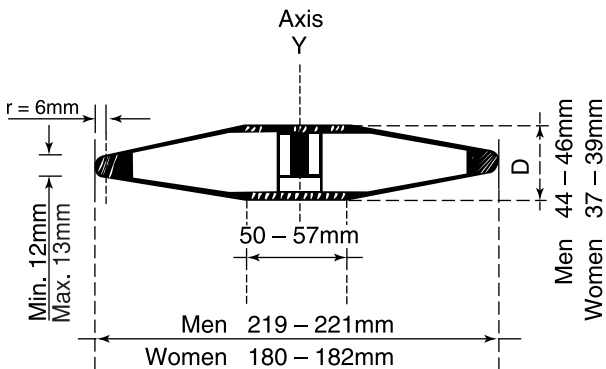


FIGURE 11 – JAVELIN RUNWAY AND LANDING SECTOR
(NOT TO SCALE)

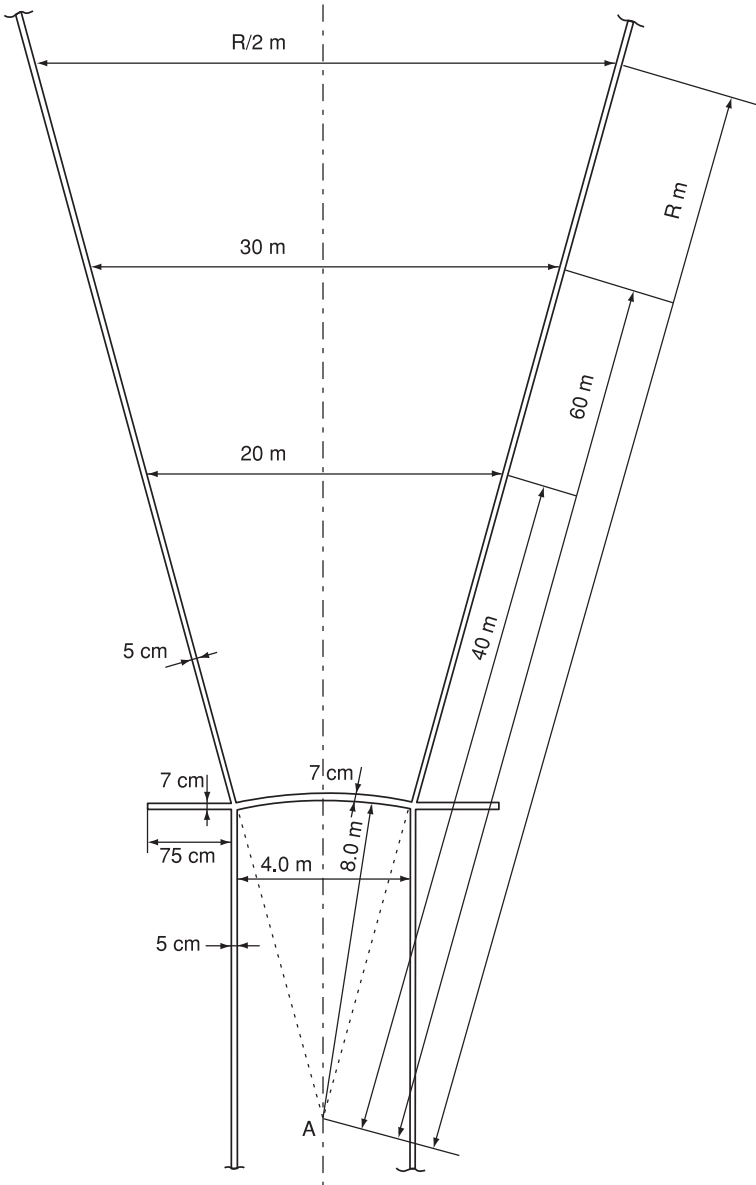
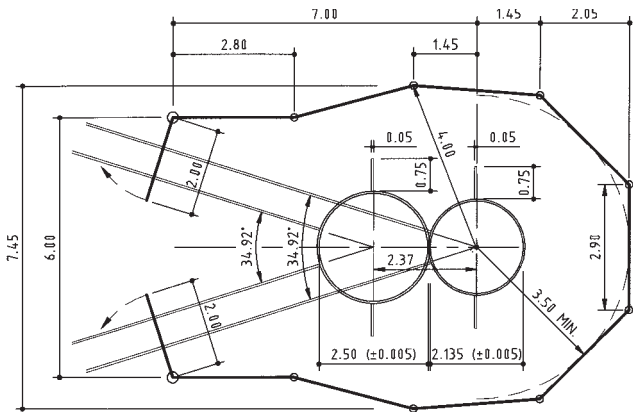
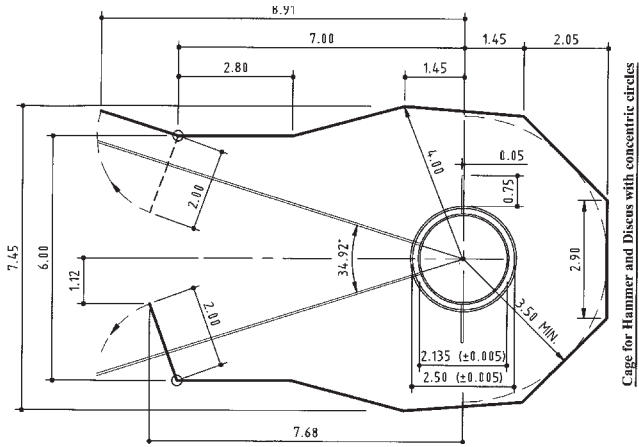


FIGURE 12 – IAAF HAMMER/DISCUS CAGE LAYOUTS



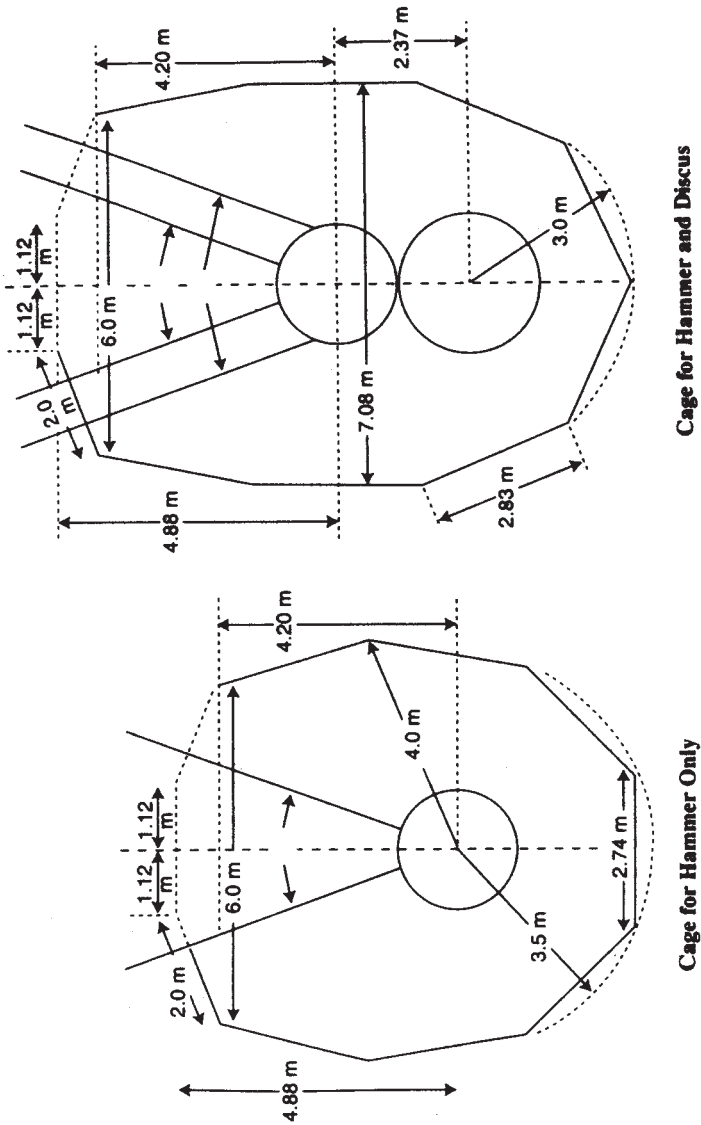
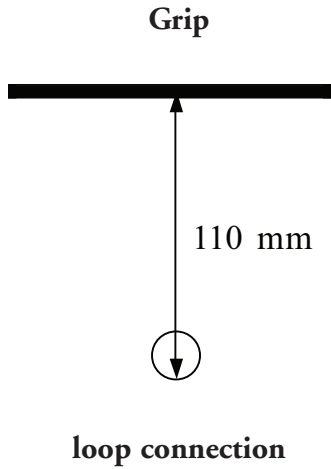


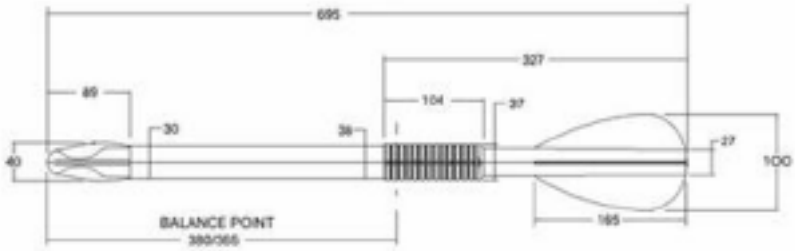
FIGURE 13 – ALTERNATE LAYOUTS USING PRE-2004 CAGES

FIGURE 14 – HAMMER HANDLE



NOTE: *The hammer handle may have any configuration that meets the specifications (Rule 191.7).*

FIGURE 15 – MINI JAVELIN



**SPECIAL SECTION
ADAPTATIONS TO
USA TRACK & FIELD RULES OF COMPETITION
FOR INDIVIDUALS WITH DISABILITIES**

INTRODUCTION

This section contains a summary of adaptations and modifications to USA Track & Field rules for each of six national disabled sports organizations recognized by the USA Track & Field as conducting programs in the sport of athletics for individuals with disabilities. Each of the organizations bases its rules on official USA Track & Field and IAAF rules, making modifications only as necessary to accommodate the particular method of competition. For a complete set of rules for a particular group, contact the specific organization listed below, or visit their website.

The organizations may be contacted as follows:

National Disability Sports Alliance (Cerebral Palsy)
25 West Independence Way
Kingston, RI 02881
401-792-7130
<http://www.ndsaonline.org>

Wheelchair Sports, USA
P.O. Box 5266
Kendall Park, NJ 08824
732-422-4546
<http://www.wsusa.org>

Special Olympics
1325 G Street, NW Suite 500
Washington, DC 20005
202-628-3630
<http://www.specialolympics.org>

United States Association for Blind Athletes
33 N. Institute St.
Colorado Springs, CO 80903
719-630-0422
<http://www.usaba.org>

USA Deaf Track & Field
9706 DuBarry St.
Glenn Dale, MD 20769
E-mail: TEWithrow@aol.com
<http://www.usadtf.org/>

Disabled Sports USA (Amputee)
451 Hungerford Dr. Suite 100
Rockville, MD 20850
301-217-0960
<http://www.dsusa.org>

I. NATIONAL DISABILITY SPORTS ALLIANCE (Cerebral Palsy)

NDSA provides competitive sports opportunities for individuals with cerebral palsy and other similar physical conditions. The NDSA sports program is based on a medically approved Sports Manual that outlines a very functional classification system and rules for related adapted events. The system measures coordination, range and speed of muscle movement, whether or not an individual is in a wheelchair, on crutches or is ambulant. Four classes for wheelchair users and four classes for the ambulant category are used. The following is a brief summary:

- Class 31: Severe tetraplegic (quadraplegic)/triplegic – requires use of power wheelchair, more spasticity prevalent.
- Class 32: Severe tetraplegic-wheelchair, may propel wheelchair with legs or arms, better upper extremity range of motion and coordination than Class 1, more athetosis present.
- Class 33: Weak tetraplegic, triplegic or moderate hemiplegic – wheelchair.
- Class 34: Paraplegic: good upper extremity strength and control – wheelchair.
- Class 35: Paraplegic, moderate hemiplegic, may ambulate without wheelchair in regular and daily activities. May or may not use assistive devices as ambulatory support. NDSA defines assistive devices as ambulatory support devices such as crutches, walkers or canes. Braces are not considered assistive devices.
- Class 36: Tetraplegic athetoid - severe triplegic, usually ambulates without walking aids, athetosis more prevalent.
- Class 37: Moderate hemiplegic or moderate to minimal tetraplegic.
- Class 38: Minimally disabled group.

USA Track & Field rules shall be followed for all Track and Field Competition, with the following rule modifications:

Rule 32 Doping

All competitors shall abide by the rules relating to doping as set by regulations of USATF, the IAAF and the International Paralympics Committee Athletics Section.

Rule 129 para 3 (Classes 32-34)

Add: These tasks shall include the power to stop the race within the first 200 meters, in races of 800 meters or longer, if a collision takes place. The race is then restarted. This does not reduce the power of the Referee to take appropriate action on reports received from umpires.

Rule 131 para 2 (Classes 32-34)

Add: The lap score board shall be at a height of 80-100 cm above the ground.

Rule 143 para 4 (Classes 32-34)

Add: Every competitor must be provided with two numbers to be worn visibly, one on the back of the chair, the other to be worn as directed by the Referee. Where photo-finish equipment is in operation, the meet organizers may require competitors to wear additional numbers of an adhesive type. No competitor shall be allowed to take part without the appropriate numbers.

Rule 143 (Classes 32-34)

Add **para 11**: The wearing of helmets is compulsory in all individual and team track races of 800 meters and over, including the 4 x 400 meter relay and in all road races.

Rule 144 para 1 (Classes 32-34)

Add: If strapping is used, it must be only to the chair and of non-elastic material.

Rule 161 para 2 (Classes 35-38)

Modify: In the first line delete “must” and insert “may”.

Add: **NOTE 3:** *A four point stance is not required by athletes in any class.*

Rule 162 para 1 (Classes 32-34)

Modify: replace “any part of the body.” with “the front wheels.”

Rule 162 para 2 (all classes)

Add: Where a competitor has a hearing impairment, a flag or any other visual device may be used as well as a pistol.

Rule 162 para 6 (Classes 32-34)

Delete: “When a competitor uses a crouch start,”.

Delete: “Both hands and one knee...” to “...with the starting blocks.”

Replace: “rise” with “come”.

Replace: “retaining the contact...” to end of para 6 with “with the front wheel(s) not touching the starting line; i.e., the hub of the competitor’s front wheel behind the vertical plane of the starting line.”

Rule 162 para 11 (Classes 32-34)

Add: **NOTE:** *The starter has the power to stop the race within the first 200 meters in races of 800 meters or longer if a collision takes place. The race is then restarted.*

Rule 163 para 1 (Classes 32-34)

Replace with: The competitors shall be placed in the order in which the hub of the leading wheel reaches the vertical plane of the nearer edge of the finish line as defined above.

Rule 163 para 4 (Classes 32-34)

add: **NOTE:** *An athlete coming from behind in an attempt to overtake carries the responsibility of ensuring full clearance of the chair being overtaken before cutting across. The athlete being overtaken has the responsibility not to obstruct or impede the incoming athlete once the front wheel(s) of the athlete are in sight.*

Rule 163 (Classes 2-4)

Modify: para 10(a) 100m ... 13 seconds
para 10(b) 200m ... 13 seconds
para 11 change 1.22m to 0.95m

Rule 163 (Classes 32-34)

Add: **para 15** Event time limits: In events of 1500 meters and longer, officials may conclude the event and clear the track after the agreed time limit has expired. Any competitor who has not completed the set distance when an event is concluded shall be shown in the official results as "DNF" - "did not finish".

Rule 165 para 4 (Classes 32-34)

Replace with: The time shall be taken from the flash of the pistol or approved starting apparatus to the moment at which the hub of the leading wheel of the competitor's chair reaches the nearest edge of the finish line.

Rule 170 para 1 (Classes 32-34)

Add: Each team shall be allocated two adjacent lanes. Where it is required for the relay to be run in lanes, the competitors may use either of their two allocated lanes. The lines on the inner of the two allocated lanes shall be extended across the outer of the two allocated lanes to mark the distances of the stages and to denote the scratch lines. Changes will take place as for lanes 1, 3, 5 and 7.

Rule 170 para 2 (Classes 32-34)

Modify: delete "20m" and insert "40m".

Rule 170 para 4 (Classes 32-34)

Modify: delete "10m" and insert "20m".

Rule 170 para 7 (Classes 32-34)

Add: "4x400m" to list of relays.

Modify: delete "10m" and insert "20m".

Rule 170 para 14 (Classes 32-34)

Replace with: The take-over shall be by a touch on any part of the body of the outgoing competitor within the take-over zone.

Add: Rule 175 (Classes 32-34)

1. The wheelchair shall have at least two large wheels and one small wheel.
2. No part of the body of the chair may extend forward beyond the hub of the front wheel and be wider than the inside of the hubs of the two rear wheels. The maximum height from the ground of the main body of the chair shall be 50cm.
3. The maximum diameter of the large wheel including the inflated tire shall not exceed 70 cm. The maximum diameter of the small wheel including the inflated tire shall not exceed 50 cm.
4. Only one plain, round hand rim is allowed for each large wheel. This rule may be waived for persons requiring a single arm drive chair, if so stated on their medical and Games identity cards.
5. No mechanical gears or levers shall be allowed that may be used to propel the chair.
6. Only hand-operated, mechanical steering devices will be allowed.
7. In all races of 800 meters or over, the athlete should be able to turn the front wheel(s) manually both to the left and the right.
8. The use of mirrors is not permitted in track or road races.
9. No part of the chair may protrude behind the vertical plane of the back edge of the rear tires.
10. It will be the responsibility of the competitor to ensure the wheelchair conforms to all the above rules, and no event shall be delayed while a competitor makes adjustments to his chair.
11. Chairs will be measured in the Clerk Area, and may not leave that area before the start of the event. Chairs that have been examined may be liable to re-examination before or after the event by the official in charge of the event.

12. It shall be the responsibility, in the first instance, of the official conducting the event to rule on the safety of the chair.
13. Athletes must ensure that no part of their lower limbs can fall to the ground or track during the event.

Add: Rule 176 (Classes 32-34)

1. The maximum height of the throwing frame, including the cushion(s) used as a seat, shall not exceed 75 cm. Class 31 and 32 may use corrective inserts if this is recorded on the Medical or Games cards.
2. If footrest(s) protrude outside the circle, they may not be rotated in or out to permit abnormal placing of one or both feet, unless otherwise stated on the Medical or Games card.
NOTE: *This does not prevent uneven placement of the footrests in the vertical (sagittal) plane.*
3. It will be the responsibility of the competitor to ensure that the frame conforms to all the above rules, and no event shall be delayed while a competitor makes adjustments to his frame.
4. Frames will be measured before the competitor enters the throwing circle. Frames that have been examined may be liable to re-examination before or after the event by the official in charge of the event.
5. It shall be the responsibility, in the first instance, of the official conducting the event to rule on the safety of the frame.
6. All throwing events will be conducted from a circle, diameter 2.135m to 2.50m, into a sector of 34.92 degrees.
7. An authorized holding device must be used. If a holding device should break during the execution of a throw, it shall not count as a trial, providing it was made in accordance with the rules. If the competitor thereby loses his balance and commits a foul, it shall not count against him.
8. In Classes 32-34, during the action of a throw or put at least one part of the upper leg or buttock must remain in contact with the cushion or seat until the implement is released.
9. In Classes 32-34, a competitor shall commence a throw or put from a sitting position, and, if lifting takes place, must keep one foot in contact with the ground inside the circle. Any part of the frame used for leverage must remain inside the vertical plane of the rim of the circle. The commencement is regarded as the first forward movement of the throw.

Rule 180 para 1 (Classes 32-34)

Delete: Second sentence.

Rule 180 para 4(e) (Classes 32-34)

Delete: Whole paragraph.

Rule 180 para 4(f) (Classes 32-34)

Replace with: Athletes take three throws consecutively. In addition to the time allowed under this rule, a reasonable time will be permitted for an athlete to place the frame in the circle before the commencement of their first trial. This time shall normally not exceed 2 minutes.

NOTE: *No reversal of throwing order will take place for the final three trials.*

Rule 180 (Classes 32-34)

Add: para 13(d) Once called, athletes are allowed to move away from the throwing area in order to continue to warm up. Should an athlete not answer a call to the throwing area, they must be debarred from the subsequent trials.

NOTE: *Classes 32-34 may not use gloves.*

Rule 187 para 1(b) (Classes 32-34)

Modify: After "...painted circle," add "or any holding device outside the vertical plane of the edge of the circle."

NOTE: *A stopboard is unnecessary for all athletes competing from frames.*

Rule 187 para 1(c) (Classes 32-34)

Modify: After "...the circle" add "(only the footrest(s) or any part of the wheel or push rim not touching the circle may be outside the circumference of the circle)."

Rule 187 para 3 (Classes 32-34)

Modify: For "hand" read "hands".

Rule 187 para 5 (Classes 32-34)

Add: **NOTE:** *This rule shall be waived for competitors using the approved holding device.*

Rule 187 para 7(a) (Classes 32-34)

Add: "club".

Rule 187 (Classes 32-34)

Add: **para 7(c)** The rules for the club competition for all athletes in frames will be those of Rule 187 (as amended, but with "club" substituted for "Discus" whenever necessary).

Rule 187 para 13 (All classes)

Add to beginning of rule: Implements must comply with USATF specifications.

Rule 200 para 1(a) (Classes 33-38)

Delete: after "...following order:"

Insert: 33 & 34 Men & Women: Shot Put; Javelin; 100m; Discus; 800m.
35 & 36 Men: Shot Put; Javelin; 200m; Discus; 1500m.
35 & 36 Women: Shot Put; Javelin; 200m; Discus; 800m.
37 & 38 Men: Long Jump; Javelin; 200m; Discus; 1500m.
37 & 38 Women: Long Jump; Javelin; 200m; Discus; 800m.

Rule 200 para 3 (All classes)

Modify: After "USATF" add "and their variations contained herein"

Rule 200 para 4(a) (Classes 32-34)

Modify: Delete last sentence.

Rule 200 para 11 (All classes)

Modify: Replace "IAAF" with "relevant Federation or Disabled Sports Organization".

Rule 200 (All classes)

Add: **para 15** Split classification: The athlete shall be entered in the less disabled class as if there were no split classification.

Rule 241 para 1(b) (Classes 32-34)

Add: **NOTE:** *Competitors may carry their own refreshments.*

Rule 242 para 4 (Classes 32-34)

Replace with: In all Road races where more than one group of athletes compete (i.e., male tetras, male paras, female tetras, female paras), a wave start shall be used. The recommended order shall be (1) Open Men (paras); Open Women (paras); Tetra men and women. The recommended minimum time between race starts for the Marathon shall be one minute.

Rule 260 (All classes)

Add to beginning of rule: The rules of each Federation or Disabled Sports Organization shall be followed in regard to National and World Record applications.

II. WHEELCHAIR SPORTS, USA

Wheelchair Sports, USA (WSUSA) is a non-profit organization whose primary objective is to act as the governing body for the sport of wheelchair athletics in the U.S. Its purpose includes promoting, guiding and facilitating competition in wheelchair track, field, slalom, combined events and long distance racing.

As a National Governing Body, WSUSA participates in the activities of USATF through its Committee on Athletics for the Disabled. WSUSA is a Disabled Sports

Organization (DSO) of the U.S. Olympic Committee. WSUSA rules are derived from the IAAF through USATF and through the International Wheelchair and Amputee Sports Federation (IWAS). WSUSA is the sole member organization in the USA for IWAS.

Classification

Athletes are divided by their physical level of function. Track has four level of function, listed from weakest to strongest:

T51 These athletes have no hand function, are unable to use the muscles that straighten their elbows, and their hands remain in contact or close to the pushing rim with the power coming from their elbow flexion. Neurological level: C6

T52 These athletes have limited or no hand function. Power for pushing now comes from elbow extension, wrist extension and active chest muscles. Their head may be forced backwards (by the use of neck muscles), producing slight upper trunk movements even though they do not have use of their trunk muscles. Neurological level: C7-C8.

T53 These athletes have normal or nearly normal upper limb function. There is no active trunk movement, although the trunk may move with the pushing action; otherwise the trunk is usually lying on the tucked up legs. They tend to interrupt pushing movements to steer, then have difficulty resuming the pushing position. When braking, the trunk stays close to the pushing position. Neurological level: T1-T7.

T54 These athletes have normal upper limb function as well as backward movement of the trunk, often with rotation movements of the trunk. They may use the trunk movements to steer around curves, and usually do not have to interrupt the pushing stroke rate around curves. When stopping quickly, the trunk moves toward an upright position. They are able to use their abdominals for power, particularly when starting, but also when pushing. Neurological level: T8-S2.

All athletes compete in the 100m, 200m, 400m, 800m, 1500m, 5000m, and 10,000m. Relays include the 4x100m and 4x400 m.

Field has nine functional classes, from weakest to strongest:

F51 These athletes have no grip or ability to extend the arm or use their trunk or legs. They use resin or adhesive substance for grip. The discus is thrown with a flat trajectory. Their other implement is a “club” that is hooked

between the fingers and thrown forward, or backward over their hand (using strong elbow flexors). Neurological level: C6.

F52 These athletes have difficulty with gripping, but are able to extend their arm. (No use of trunk or legs.) Shot: They are unable to form a fist, and therefore do not usually have finger contact with the shot at the release point. Discus: They have difficulty placing the fingers over the edge of the discus, but may do so with the aid of contractures or spasticity. Javelin: They usually grasp the javelin between the fingers. Neurological level: C7.

F53 These athletes have nearly normal grip, no use of trunk or legs. Or they have hand function of F52 with trunk muscles. Shot: Usually a good fist can be made, so they are able to use some spreading of the fingers and can “grasp” the shot when putting. Discus: They have good finger function to hold the discus, and may be able to impart spin to the discus. Javelin: They usually grip the javelin between the thumb and index finger. They have the ability to hold the javelin because of the ability to use hand muscles that spread and close the fingers. Neurological level: C8.

F54 These athletes have normal or nearly normal hand function, but no sitting balance, or they have hand function of F53 with trunk muscles. They put the shot, and throw the discus and javelin. Usually they hold onto part of the chair for balance while throwing. Some athletes in this class will have normal hand function, but no functional trunk movements. Others will have some trunk movements, but hand function such as F53. Neurological level: T1-T7.

F55 Three trunk movements may be seen in this class: 1) off the back of the chair (in an upward direction); 2) movement in the forward and backward plane; and 3) some trunk rotation. They have fair to good sitting balance. They do not have functional hip movement, so do not have the ability to lift the thigh upward in sitting. They may have stiffness of their spine that improves balance, but reduces the ability to rotate the spine. With the shot and javelin, they tend to use forward and backward movements, whereas with the discus they predominantly use a rotary movement. Neurological level: T8-L1.

F56 These athletes also put the shot and throw the discus and javelin. They have very good balance and movements in the forward and backward plane, with good trunk rotation. They can lift their thighs off the chair and press the knees together. Some have the ability to straighten and bend their knees. Neurological level: L2-L5.

F57 These athletes also have the ability to move side to side, so they can throw across their body. They usually can bend one hip backward to push the

thigh into the chair, and can bend one ankle downward to push down with the foot. Neurological level: S1-S2.

F58 A sitting class, but not more than 70 points in the lower limbs. Are unable to recover balance in challenged standing position.

Standing athletes are classified as Class 41-44, depending on level of function.

Athletes compete in the shot put, discus, javelin and club. All classes F51-F58 throw from a throwing circle seven feet in diameter. Their chairs are tied down with various types of straps and hooks to assure the chair does not move during their throw. It is not necessary for the field chair to have wheels. Throwing cages are advisable for the discus and club to protect others.

USA Track & Field rules shall be followed for all Track and Field Competition with the following rule modifications:

Rule 32 Doping

All competitors shall abide by the rules relating to doping as set by regulations of USATF, the IAAF and the International Paralympics Committee Athletics Section.

Rule 129 para 3 (Classes T51-T54)

Add: These tasks shall include the power to stop the race within the first 200 meters, in races of 800 meters or longer, if a collision takes place. The race is then restarted. This does not reduce the power of the Referee to take appropriate action on reports received from umpires.

Rule 131 para 2 (Classes T51-T54)

Add: The lap score board shall be at a height of 80-100 cm above the ground.

Rule 143 (Classes T51-T54)

Add para 11: The wearing of helmets is compulsory in all individual and team track races of 800 meters and over, including the 4 x 400 meter relay and in all road races.

Rule 143 para 4 (Classes T51-T54)

Add: Every competitor must be provided with two numbers to be worn visibly, one on the back of the chair, the other to be worn as directed by the Referee. Where photo-finish equipment is in operation, the meet organizers may require competitors to wear additional numbers of an adhesive type. No competitor shall be allowed to take part without the appropriate numbers.

Rule 144 para 1 (Classes T51-T54)

Add: If strapping is used, it must be only to the chair and of non-elastic material.

Add: **NOTE 3:** Competitors may receive technical advice from cycle computer type devices installed on their own wheelchairs.

Add: **NOTE 4:** Assistance may be given to any competitor on the track provided that said assistance does not result in forward progress.

Rule 144 para 5 (Classes F51-F9)

Add: Advice or assistance may be offered after the first 3 throws, but before the fourth throw, except for Junior athletes. Coaching is allowed for Junior athletes between each throw for the length of time it takes the implement to be returned to the official and handed back to the athlete. This coaching for Junior athletes must not delay the progression of the competition.

Rule 160 para 1 (All Classes)

Delete: "unless the curve is a double bend track..." to "...24.00 m." (The intent is to avoid use of 'double bend' tracks because of the difficulty in negotiating such curves for athletes in wheelchairs.)

Rule 162 para 1 (Classes T51-T54)

Modify: replace "any part of the body." with "the front wheels."

Rule 162 para 6 (Classes T51-T54)

Delete: "When a competitor uses a crouch start,".

Delete: "Both hands and one knee..." to "...with the starting blocks."

Replace: "rise" with "come".

Replace: "retaining the contact..." to end of para 6 with "with the front wheel(s) not touching the starting line; i.e., the hub of the competitor's front wheel behind the vertical plane of the starting line."

Rule 162 para 11 (Classes T51-T54)

Add: **NOTE:** *The starter has the power to stop the race within the first 200 meters in races of 800 meters or longer if a collision takes place. The race is then restarted.*

Rule 162 para 12 (Classes T51-T54)

Replace paragraph with: Any competitor making a false start must be warned. If a competitor is responsible for two false starts, or three in the case of the Pentathlon, he shall be disqualified.

Retain: Note 1.

Rule 163 para 1 (Classes T51-T54)

Replace with: The competitors shall be placed in the order in which the hub of the leading wheel reaches the vertical plane of the nearer edge of the finish line as defined above.

Rule 163 para 4 (Classes T51-T54)

Add: **NOTE:** *An athlete coming from behind in an attempt to overtake carries the responsibility of ensuring full clearance of the chair being overtaken before cutting across.*

Any athlete wishing to change lanes during a race must be responsible that he/she has full clearance before doing so.

Rule 163 para 5 (Classes T51-T54)

Replace first two sentences with: In all races run in lanes (100m, 200m, 400m, and 4x100m Relay), each competitor shall keep to his allotted lane from start to finish. This shall also apply to any portion of a race run in lanes. Straying momentarily from one's lane will not be grounds for disqualification unless, if by so doing, the athlete impedes the progress of another athlete or gains a material advantage.

Replace: "run" or "runs" with "wheels" in the remainder of the paragraph.

Rule 163 (Classes T51-T54)

Modify: para 10(a) 100m ... 13 seconds

para 10(b) 200m ... 13 seconds

para 11 change 1.22m to 0.95m

Rule 163 (Classes T51-T54)

Add: **para 15** Progression by any other method except the competitor pushing on the wheels or hand rims will result in disqualification.

Rule 163 (Classes T51-T54)

Add: **para 16** Event time limits: In events of 1500 meters and longer, officials may conclude the event and clear the track after the agreed time limit has expired. Any competitor who has not completed the set distance when an event is concluded shall be shown in the official results as "DNF" - "did not finish".

Rule 163 (Classes T51-T54)

Add: **para 17** Competitors must ensure that no urine is allowed to drain onto the competition or warm-up areas. Failure to do so will result in disqualification.

Rule 163 (Classes T51-T54)

Add: **para 18** Except in cases of relay races run in lanes, competitors may not make check-marks or place objects on or alongside the running track for their assistance.

Rule 165 para 4 (Classes T51-T54)

Replace with: The time shall be taken from the flash of the pistol or approved starting apparatus to the moment at which the hub of the leading wheel of the competitor's chair reaches the nearest edge of the finish line.

Rule 170 para 1 (Classes T51-T54)

Add: Each team shall be allocated two adjacent lanes. Where it is required for the relay to be run in lanes, the competitors may use either of their two allocated lanes. The lines on the inner of the two allocated lanes shall be extended across the outer of the two allocated lanes to mark the distances of the stages and to denote the scratch lines. Changes will take place as for lanes 1, 3, 5 and 7.

Rule 170 para 2 (Classes T51-T54)

Modify: delete "20m" and insert "40m".

Rule 170 para 4 (Classes T51-T54)

Modify: delete "10m" and insert "20m".

Rule 170 para 7 (Classes T51-T54)

Add: "4x400m" to list of relays.

Modify: delete "10m" and insert "20m".

Rule 170 para 14 (Classes T51-T54)

Replace with: The take-over shall be by a touch on any part of the body of the outgoing competitor within the take-over zone.

Rule 170 para 19

Add: **NOTE:** In relay races, teams in the T51-T52 and T53-T54 competition shall contain at least one member from the more disabled class.

Add: Rule 175 (Classes T51-T54)

1. The wheelchair shall have at least two large wheels and one small wheel.
2. Any device or design element that exists for the purpose of reducing air resistance will be permitted provided that said device or design is limited to the area between the rear wheels and must not extend beyond the lateral edges of the large wheels or extend in front or behind the edges of the tires, except that fenders may protrude two inches (2") past the circumference of the inflated tire. **NOTE:** This is a WTFUSA rule only, and does not apply to ISMWSF competition.
3. The maximum diameter of the large wheel including the inflated tire shall not exceed 70 cm. The maximum diameter of the small wheel including the inflated tire shall not exceed 50 cm.
4. Only one plain, round hand rim is allowed for each large wheel.
5. No mechanical gears or levers shall be allowed that may be used to propel the chair.
6. Only hand-operated, mechanical steering devices will be allowed.
7. No part of the chair may protrude behind the vertical plane of the back edge of the rear tires.
8. Athletes must ensure that no part of their lower limbs can fall to the ground or track during the event.

9. It will be the responsibility of the competitor to ensure the wheelchair conforms to all the above rules, and no event shall be delayed while a competitor makes adjustments to his chair.
10. Chairs will be measured in the Clerk Area, and may not leave that area before the start of the event. Chairs that have been examined may be liable to re-examination before or after the event by the official in charge of the event.
11. It shall be the responsibility, in the first instance, of the official conducting the event to rule on the safety of the chair.
12. The wearing of helmets in races of 800 meters and longer (track & road) is mandatory for adults. All Juniors must wear helmets for all racing events, and helmets are strongly recommended for all distances.

Add: Rule 176 (Classes F51-F58)

1. The maximum height of the wheelchair or the throwing frame, including the cushion(s) used as a seat, shall not exceed 75 cm.
2. If footrest(s) protrude outside the circle, they may not be rotated in or out to permit abnormal placing of one or both feet, unless otherwise stated on the Medical or Games card.
NOTE: *This does not prevent uneven placement of the footrests in the vertical (sagittal) plane.*
3. It will be the responsibility of the competitor to ensure that the frame or chair conforms to all the above rules, and no event shall be delayed while a competitor makes adjustments to his frame or chair.
4. Frames or chairs will be measured before the competitor enters the throwing circle. Frames or chairs that have been examined may be liable to re-examination before or after the event by the official in charge of the event.
5. It shall be the responsibility, in the first instance, of the official conducting the event to rule on the safety of the frame or chair. It should be noted that the “chair” need not be a wheelchair.
6. All throwing events will be conducted from a circle, diameter 2.135m to 2.50m, into a sector of 34.92 degrees.
7. An authorized holding device must be used. If a holding device should break during the execution of a throw, it shall not count as a trial, providing it was made in accordance with the rules. If the competitor thereby loses his balance and commits a foul, it shall not count against him.

8. In Classes F51-F56, during the action of a throw or put at least one part of the upper leg or buttock must remain in contact with the cushion or seat until the implement is released.
9. In Classes F57-F58, a competitor shall commence a throw or put from a sitting position, and, if lifting takes place, must keep one foot in contact with the ground inside the circle. Any part of the frame used for leverage must remain inside the vertical plane of the rim of the circle. The commencement is regarded as the first forward movement of the throw.

Rule 180 para 1 (Classes F51-F58)

Delete: Second sentence.

Rule 180 para 4(e) (Classes F51-F58)

Delete: Whole paragraph.

Rule 180 para 4(f) (Classes F51-F58)

Replace with: Athletes take three throws consecutively. In addition to the time allowed under this rule, a reasonable time will be permitted for an athlete to place the frame in the circle before the commencement of their first trial. This time shall normally not exceed 2 minutes.

NOTE: *No reversal of throwing order will take place for the final three trials.*

Rule 180 (Classes F51-F58)

Add: **para 13(d)** Once called, athletes are allowed to move away from the throwing area in order to continue to warm up. Should an athlete not answer a call to the throwing area, they must be debarred from the subsequent trials.

Rule 187 para 1(b) (Classes F51-F58)

Modify: After "...painted circle," add "or any holding device outside the vertical plane of the edge of the circle."

NOTE: *A stopboard is compulsory for competition in Class F9, but is unnecessary for other classes.*

Rule 187 para 1(c) (Classes F51-F58)

Modify: After "...the circle" add "(only the footrest(s) or any part of the wheel or push rim not touching the circle may be outside the circumference of the circle)."

Rule 187 para 3 (Classes F51-F58)

Modify: For "hand" read "hands".

Add: **NOTE:** Athletes in Classes F51-F53 may use strapping or a glove on their non-throwing hand, and anchor that hand to the frame. Classes F54-F58 must not use gloves.

Rule 187 para 5 (Classes F51-F58)

Add: **NOTE:** *This rule shall be waived for competitors using the approved holding device.*

Rule 187 para 7(a) (Class F51)

Add: "club".

Rule 187 (Classes F51-F58)

Add: **para 7(c):** The rules for the club competition for all athletes in frames will be those of Rule 187 (as amended, but with "club" substituted for "Discus" whenever necessary).

Rule 187 para 13 (All classes)

Add to beginning of rule: Implements must comply with USATF specifications.

Rule 188 para 2 (Classes F51-F58)

Add: **NOTE 2:** *From start to finish, the movement shall be a straight, continuous putting action.*

Rule 200 para 1(a) (Classes F53-F58)

Delete: after "...following order:"

Insert: Class F51:	100m; Club; 400m; Discus; 800m.
Class F52 & F53:	Shot Put; Javelin; 100m; Discus; 800m.
Class F54-F58:	Shot Put; Javelin; 200m; Discus; 1500m.

Rule 200 para 3 (All classes)

Modify: After "USATF" add "and their variations contained herein"

Rule 200 para 4(a) (Classes F51-F58)

Modify: Delete last sentence.

Rule 200 para 11 (All classes)

Modify: Replace "IAAF" with "relevant Federation or Disabled Sports Organization".

Rule 200 (All classes)

Add: **para 15** Split classification: The athlete shall be entered in the less disabled class as if there were no split classification.

Rule 241 para 1(b) (Classes T51-T54)

Add: **NOTE:** *Competitors may carry their own refreshments.*

Rule 241 (Classes T51-T54)

Add: **para 5** During a road race, mechanical or other assistance to repair the wheelchair or wheels shall be allowed under the following conditions:

- (a) Assistance shall be given by anyone provided that said assistance does not result in forward progress of the competitor.
- (b) Only parts broken or damaged during the event in progress can be repaired or replaced. Replacement parts shall be the same size as the original part.
- (c) All assistance given shall be recorded by the Officials and all broken or replaced parts shall be made available for inspection at the conclusion of the event by the Referee.
- (d) Any competitor receiving assistance of any type not approved under these rules shall be disqualified and shall be listed in the results as disqualified.

Rule 242 para 4 (Classes T51-T54)

Replace with: In all Road races where more than one group of athletes compete (i.e., male tetras, male paras, female tetras, female paras), a wave start shall be used. The recommended order shall be (1) Open Men (paras); Open Women (paras); Tetra men and women. The recommended minimum time between race starts for the Marathon shall be one minute.

Rule 260 (All classes)

Add to beginning of rule: The rules of each Federation or Disabled Sports Organization shall be followed in regard to National and World Record applications.

III. SPECIAL OLYMPICS

The Official Special Olympics Sports Rules shall govern all Special Olympics athletics competitions. As an international sports program, Special Olympics has created these rules based upon IAAF and USATF rules for athletics. IAAF and USATF rules shall be employed except when they are in conflict with the Official Special Olympics Sports Rules. In such cases, the Official Special Olympics Sports Rules shall apply.

See the Official Special Olympics Sports Rules for special events for athletes with lower ability levels (e.g., softball throw, wheelchair slalom, motorized wheelchair events).

USA Track & Field rules shall be followed for all Track and Field Competition with the following rule modifications:

Rule 161 para 1 and 2

Modification: In all races up to and including the 400m, the athletes have the option of using or not using starting blocks.

Rule 168 para 1

Add: The standard hurdle heights and placements shall be:

Distance of Race	Height of Hurdle	Distance from Start to First Hurdle	Distance between Hurdles	Distance from Last Hurdle to Finish Line
100m	0.762m (30")	13.00m	8.50m	10.50m
110m	0.840m (33")	13.72m	9.14m	14.02m

Rule 182 para 4

Add: The minimum opening height for all competitors shall be 1m. An athlete with Downs Syndrome who has been diagnosed with Atlanto-axial instability may not participate in the High Jump and Pentathlon.

Rule 185 para 1

Add: Each competitor is allowed 3 jumps (non-consecutive). An athlete must be able to jump at least 1m, which is the minimum distance between the take-off board and the sand pit.

Rule 188 para 1

Add: Each competitor shall be allowed 3 throws (non-consecutive). The implement weights shall be:

Men 8-11 years old	2.72 kg/6 lbs.
Women 8-11 years old	1.81 kg/4 lbs.
Men 12 and older	4 kg/8.13 lbs.
Women 12 and older	2.72 kg/6 lbs.

Rule 200

Add: The Special Olympics Pentathlon shall consist of five events in the following order: 100m, Long Jump, Shot Put, High Jump, 400m. Scoring shall be done using Special Olympics scoring tables. The Pentathlon should be competed as a one-day event, but 2 days can be used with the first three events on the first day and the final two events on the second day.

Rule 232 para 2

Modification: Delete the second sentence. In effect, this means the athlete does not have to have a straight advancing leg while competing.

Add: In race walk event up to and including 400m, the competitor shall be disqualified with no prior warning when, in the opinion of two or more judges, an advantage has been gained.

IV. UNITED STATES ASSOCIATION FOR BLIND ATHLETES

The current USATF rules shall apply in all cases, except for the additions and modifications noted below.

Classification

B11 No light perception in either eye up to light perception, but inability to recognize the shape of a hand at any distance or in any direction.

B12 From ability to recognize the shape of a hand up to visual acuity of 2/60 and/or visual field of less than 5 degrees.

B13 From visual acuity of above 2/60 up to visual acuity of 6/60 and/or visual field of more than 5 degrees and less than 20 degrees.

(NOTE: All classifications in best eye with best correction; i.e., all athletes who use contact or corrective lenses must wear them for classification, whether they intend to compete wearing them or not.)

Rule 32 Doping

All competitors shall abide by the rules relating to doping as set by regulations of USATF, the IAAF and the International Paralympics Committee Athletics Section.

Rule 143 (Class B11)

Add: **para 11** Competitors in Class B11 must wear approved dark glasses or an appropriate substitute in all field events, and in all track events up to and including 1500m. The dark glasses or their substitute must be approved by the Referee. When the athlete is not competing, the dark glasses or their substitute may be removed.

Rule 144 para 2 (All classes)

Add: **NOTE 3:** *In events of 800m and above, coaches may call intermediate times, but must do so from outside the competition area.*

NOTE 4: *For Class B11, acoustic signals are permitted. However, no visual modification to the existing facility is permitted. In events where acoustic assistance is being used (e.g. Long Jump, Triple Jump and High Jump), complete silence shall be requested from spectators.*

For class B12, visual modification of the existing facility is permitted (e.g., paint, chalk, powder, cones, flags, etc.). Acoustic signals also may be used.

For Class B13, USATF Rules will be followed in their entirety, except where otherwise noted below.

USABA recognizes the special needs of deaf-blind athletes, and is keen to encourage and facilitate their participation in USABA competition. In cases where deaf-blind athletes are competing in a competition, some modification of existing USABA rules may be necessary. Such modification should only be permitted with the prior approval of the responsible Referee. In principle, no rule modification that disadvantages any other competitor will be allowed.

Rule 144 (Classes B11-B12)

Add: **para 8(a)** Only escorts or guide runners for Classes B11 and B12 athletes will

be permitted to accompany competitors onto the competition area. Persons acting as guides or escorts must be clearly identified by wearing a distinctively colored vest provided by the Organizing Committee.

Rule 144 (Classes B11-B12)

Add: **para 8(b)** The method of guidance is the choice of the athlete. He/she may choose to use an elbow lead, or a tether, or to run free. In addition, the runner may receive verbal instruction from the guide. The guide must not use a bicycle or other mechanical means of transport.

Rule 144 (Classes B11-B12)

Add: **para 8(c)** Methods of guidance: Athletes are encouraged to provide their own guides. However the organizers will provide an appropriate guide if the need has been indicated on the entry form in advance (together with specific details of the standard of guidance required).

Rule 144 (Classes B11-B12)

Add: **para 8(d)** At no time may the guide pull the athlete, or propel the athlete forward by pushing.

Rule 144 (Classes B11-B12)

Add: **para 8(e)** Whether or not a tether is being used, the athlete and guide shall not be more than 0.50m apart at all times.

NOTE: *Where extraordinary or accidental circumstances lead to a breach of this rule, it shall be at the discretion of the Referee to decide the question of disqualification. The principle that will govern such a decision shall include consideration of any danger to or disadvantage suffered by another competitor in the same race.*

Rule 144 (Classes B11-B12)

Add: **para 8(f)** For races further than 400m, two guides are allowed. Only one exchange of guides is permitted for each athlete. The exchange must take place without any hindrance to other athletes, and must take place on the straight within 50m of the finish line. The intention to change guides must be notified in advance to the Referee and Technical Delegate. The technical officials will determine the conditions of the exchange and will communicate these in advance to the competitors.

Rule 144 (Classes B11-B12)

Add: **para 8(g)** Guides must wear a distinctively colored vest, in order to be clearly distinguished from athletes. These vests will be provided by the Organizing Committee.

Rule 161 para 2 (Classes B11-B12)

Modify: After "...including 400m" add "(except for athletes in Class B11 and B12, who may choose to start with or without starting blocks or use a standing start)".

Rule 162 para 2 (Class B11)

Add after rule: For Class B11, acoustic signals are permitted. However, no visual modification to the existing facility is permitted. In events where acoustic assistance is being used, complete silence shall be requested from spectators.

Rule 163 para 1 (Classes B11-B12)

Add: Competitor and guide in a competition are to be regarded as a team. As the athlete crosses the finish line, the guide must be behind him/her.

Rule 163 para 5 (Classes B11-B12)

Insert after "...marked cut-in points.": In races run in lanes, each athlete shall be allocated two lanes, for himself and the guide. The start line in a staggered will be those in lanes 1, 3, 5 and 7.

Rule 170 para 1 (All classes)

Add: Each team shall be allocated two adjacent lanes. Where it is required for the relay to be run in lanes, the competitors may use either of their two allocated lanes. The lines on the inner of the two allocated lanes shall be extended across the outer of the two allocated lanes to mark the distances of the stages and to denote the scratch lines. Exchanges will take place as for lanes 1, 3, 5 and 7.

Rule 170 para 12-14 (All classes)

Replace with: The take-over shall be by a touch on any part of the body of the outgoing competitor within the take-over zone. The lines marking the take-over zone shall be those used in lanes 1, 3, 5 and 7. It will be necessary to extend these lines (and start lines) into the adjacent lane for purposes of meeting the requirements that each relay team shall be allocated two lanes. The extension of start and exchange box lanes shall be done with tape of the same color as the existing lane markings. A fair exchange is established when the incoming runner touches the outgoing runner within the take-over zone. The touch exchange may take place either between guides or athletes without restriction, except that the conditions of the method of guidance must be met and the guide must be behind the athlete at the moment of exchange. Once the waiting runner leaves the take-over zone, he/she shall not re-enter the take-over zone.

Rule 170 (Class B12)

Add: **para 26** One guide per exchange zone will be allowed on the track to help with the positioning of any Class B12 athlete who intends to run without a guide runner. Otherwise the guide must remain in a position that does not interfere with the conduct of the race.

Rule 176 para 1 (Classes B11-B12)

Add: For Class B11 and B12, athletes may be brought to the throwing circle or runway by an escort. It is the task of the escort to help the athlete orient him/herself in the throwing circle or on the runway before the attempt. The escort must leave the

circle or runway before the attempt begins. Acoustic orientation is permitted before, during and after the attempt. Athletes may only be escorted from the circle or runway after the officials have determined whether or not the attempt was a valid one. If the official in charge of the event decides that an escort who is providing acoustic orientation is in an unsafe location, the judge has the right to require the escort to move.

Rule 180 para 8(d)i (Classes B11-B12)

Add: In field events where competitors receive assistance from callers or guides, the time allowed shall begin from the moment when the official responsible is satisfied that the athlete has completed the process of orientation. Should any competitor request verbal confirmation of the starting of the timing clock, an official shall give such confirmation.

NOTE: If the athlete loses orientation so that he/she needs to be re-oriented, the clock shall be stopped and only restarted (to include any elapsed time already recorded) once orientation has again been completed.

Rule 181 para 3(c) (Classes B11-B12)

Add: Competitors in Classes B11 and B12 are permitted to use a caller for acoustic orientation. In providing this, the caller must stand in a position that does not hinder the event officials.

Competitors in Class B12 may be accompanied by only one person, who may serve as caller and/or guide. No additional person shall be permitted in the competition area.

Athletes in Class B12 may place a visual aid on the bar. This must be approved by the Referee.

Rule 182 para 3 (Class B11)

Add: **NOTE:** *Class B11 competitors may touch the bar as an aid to orientation before commencing the run up. If, on so doing, the athlete dislodges the bar, this will not count as an attempt.*

Rule 185 para 2 (Classes B11-B2)

Modify: Delete from “take-off line...” to “...extended” and insert “nearest impression left by the takeoff foot.”

Add: Where an athlete does not take off from the take-off area, but before it, measurement will be made to the edge of the take-off area furthest from the pit.”

Rule 185 para 4(b) (Classes B1-B12)

Add: Competitors in Classes B11 and B2 are permitted to use a caller for acoustic orientation. In providing this, the caller must stand in a position that does not hinder the event officials.

Competitors in Class B12 may be accompanied by only one person, who may serve as caller and/or guide. No additional person shall be permitted in the competition area.

Rule 185 para 5 (Classes B11-B12)

Add: **NOTE:** *For purposes of safety, it is strongly recommended that the minimum distance between the axis of the runway and the sides of the landing area be 1.75m. If this recommendation cannot be met, additional safety measures may be required by the Referee.*

Rule 185 para 6 (Classes B11-B12)

Add: For Class B11 and B12 athletes, the takeoff area shall consist of a rectangle 1.00m x 1.22m, which must be prepared in such a way (by use of chalk, talcum powder, light sand, etc.) that the athlete leaves an impression on the area with his/her takeoff foot.

Rule 185 (Classes B11-B12)

Add: **para 8** Competitors in Class B11 may use a caller to provide acoustic orientation during the approach run, and a guide to assist in positioning the athlete on the runway. Competitors in Class B12 may be accompanied by only one person who shall be permitted in the competition area, who may serve as caller and/or guide. No additional persons will be permitted in the competition area.

Rule 186 para 2 (Classes B11-B12)

Modify: Delete from “for men,…” to “...at least 10m.” Insert: “the take-off board shall be the following distances: Class B11 – minimum 9m. Classes B12 and B13 – minimum 11m.”

Add: **NOTE:** *The exact distance from the board to the pit shall be determined for each competition in consultation with the Referee.*

Rule 200 para 1(a) (Classes B11-B13)

Delete: after “...following order:”

Insert: Men (in each class): Long Jump; Javelin; 100m; Discus; 1500m.

Women (in each class): Long Jump; Shot Put; 100m; Discus; 800m.

Rule 241 (All classes)

Add: **para 1(d)** Competitors and their guides shall receive assistance at the refreshment stations.

NOTE: *Organizers must ensure that officials are aware of the specific problems of safety presented in providing drinks to blind and partially sighted athletes, and that adequate training is given to all assistants involved.*

Rule 241 (All classes)

Add: **para 5** A relay of up to four guides may be used for Class B11 and B12 athletes, but exchanges may only take place at 10 km; 20 km; & 30 km.

NOTE: *It is strongly recommended that organizers ensure that the race takes place in its entirety in good daylight conditions.*

Rule 242 para 4 (All classes)

Modify: Replace with: “In road races, all athletes will start together, but the finishing order will be determined for each class.”

Rule 242 (All classes)

Add: para 8 The Organizing Committee shall provide numbers that distinguish between athletes of each class.

Rule 260 (All classes)

Add to beginning of rule: The rules of each Federation or Disabled Sports Organization shall be followed in regard to National and World Record applications.

V. USA DEAF TRACK & FIELD

USA Deaf Track and Field competitions will use all USATF rules, with the following exceptions regarding the starting of races:

Rule 32 Doping

All competitors shall abide by the rules relating to doping as set by regulations of USATF, the IAAF and the International Olympic Committee.

Rule 162 para 2

Replace with: All running and walking events shall be started with the use of a white flag in addition to the starting pistol. The use of a strobe light to signal the start of a race, placed where it can easily be seen by all competitors, also is an acceptable option in addition to the flag and starting pistol. The Starter will be placed in a position easily visible to all competitors.

Rule 162 para 3

Replace the first three sentences with: Except as otherwise indicated herein, the verbal and visual commands of the Starter shall be “on your marks,” whereupon the Starter, holding the starting pistol straight overhead, will move the white flag, held in the non-gun hand, in a circular motion from the Starter’s side to over the head and back down parallel to the ground, and hold it steady, pointing toward the start line. When all competitors are on their marks, the Starter shall give the “set” command verbally and by raising the white flag to a position over the Starter’s head. After all competitors are “set,” the Starter shall bring the white flag quickly down to signal the start of the race, simultaneously firing the starting pistol, and the strobe light if it also is being used. The Starter shall not drop the white flag nor fire the pistol or strobe light while any competitor is in motion after the command “set.” In races longer than 400 meters, the verbal and flag commands for “on your marks” shall be given, then the white flag shall be raised above the head. When all competitors are steady the Starter shall bring the white flag quickly down and the pistol (and strobe light if being used) shall be fired simultaneously.

Rule 162 para 9

Modify by inserting “the dropping of the white flag and/or” prior to “the report of the pistol.”

Rule 162 para 11

Add: There shall be one Recall Starter with a red flag stationed on the side of the track approximately 20 meters in front of the competitors while on their marks, who shall signal a recall by waving the red flag.

Rule 162 para 14

Add at the end of the sentence “by briskly waving the white flag.”

Rule 162 para 16

Delete from “should use a microphone...” to the end of the paragraph, and replace with “shall always be placed in a position so as to be easily visible to all competitors.”

Rule 200 para 3 (All classes)

Modify: After “USATF” add “and their variations contained herein”

VI. DISABLED SPORTS USA (Amputee)

USA Track & Field rules shall be followed for all Track and Field Competition, with the following rule modifications:

Classification

Class 42 Single above knee amputation or equivalent.

Class 43 Double below knee amputation or equivalent.

Class 44 Single below knee amputation or equivalent.

Class 45 Double arm amputation (either above or below the elbow) or equivalent.

Class 46 Single arm amputation (either above or below the elbow) or equivalent.

Rule 32 Doping

All competitors shall abide by the rules relating to doping as set by regulations of USATF, the IAAF and the International Paralympics Committee Athletics Section.

Rule 144

Add: **para 3(c)** Competition prostheses are not considered to be appliances that can give the wearer an advantage.

Rule 161 para 2

Modify: In the first line delete "must" and insert "may".

Add: **NOTE:** *A four point stance is not required by athletes in any class. It is acceptable for arm amputee athletes to use pads on which to rest stumps at the start. Pads must be completely behind the start line and not interfere with any other athlete. The pads should be a similar color to the track or of a neutral color.*

Rule 163

Modify: para 10(a) 100m ... 13 seconds
para 10(b) 200m ... 13 seconds
para 11 change 1.22m to 0.95m

Rule 163

Add: **para 15** Leg amputee competitors in classes 42, 43, 44 must use leg prostheses in all track events. Hopping is not allowed. Arm prostheses are optional.

Add: **para 16** In all field events the wearing of prostheses is optional.

Rule 182 para 2

Add: Lower limb disability classes may use a running, hopping or standing start in jumping events.

Rule 185 (Classes 42-44)

Add: **Para 8**

- (a) If, in the process of jumping, an athlete loses a prosthesis, the mark where the prosthesis lands, if it is the closest mark to the take-off board, shall be measured.
- (b) If the prosthesis is lost during the run-up, the athlete can adjust it and continue within the allowed time, with or without the prosthesis.
- (c) If the prosthesis lands outside the landing area, it shall be counted as a foul and recorded as such.

Rule 186 para 2

Modify: Delete from "for men,..." to "...at least 10m" and insert "the take-off board would normally be 9 meters".

Rule 187

Add: **NOTE:** *The rules for the club competition for ambulant athletes will be those of Rule 187 (with "club" substituted for "javelin" whenever necessary except where they relate to the valid landing of the javelin.)*

Rule 200 para 1(a) (Classes 42-46)

Delete: after "...following order:"

Insert: 42 Men & Women: Long Jump; Shot Put; 100m; Discus; High Jump.
44 Men & Women: Long Jump; Shot Put; 100m; Discus; 400m.
46 Men: High Jump; Javelin; 200m; Discus; 1500m.
46 Women: Long Jump; Shot Put; 100m; Discus; 400m.

Rule 200 para 3 (All classes)

Modify: After “USATF” add “and their variations contained herein”



APPENDICES

FIELD EVENTS (MEN)

IMPLEMENT WEIGHTS

EVENTS FOR THE VISUALLY HANDICAPPED.

	SHOT	DISCUS	JAVELIN
Class B11	7.26kg	2.00kg	800gm
Class B12	7.26kg	2.00kg	800gm
Class B13	7.26kg	2.00kg	800gm

EVENTS FOR ATHLETES WITH CEREBRAL PALSY.

	SHOT	DISCUS	JAVELIN	CLUB
Class 32 - Wheelchair	2.00kg	1.00kg		397gm
Class 33 "	3.00kg	1.00kg	600gm	
Class 34 "	4.00kg	1.00kg	600gm	
Class 35 - Ambulatory	4.00kg	1.00kg	600gm	
Class 36 "	4.00kg	1.00kg	600gm	
Class 37 "	5.00kg	1.00kg	600gm	
Class 38 "	5.00kg	1.50kg	800gm	

EVENTS FOR AMBULATORY (AMPUTEE) ATHLETES.

	SHOT	DISCUS	JAVELIN
Class 42	6.00kg	1.50kg	800gm
Class 43	6.00kg	1.50kg	800gm
Class 44	6.00kg	1.50kg	800gm
Class 45	6.00kg	1.50kg	800gm
Class 46	6.00kg	1.50kg	800gm

(NOTE: For IWAS competitions, Class 46 shot shall be 7.25 kg and discus shall be 2.00 kg.)

EVENTS FOR ATHLETES IN WHEELCHAIRS.

	SHOT	DISCUS	JAVELIN	CLUB
Class F51		1.00kg		397gm
Class F52	2.00kg	1.00kg	600gm	
Class F53	3.00kg	1.00kg	600gm	
Class F54	4.00kg	1.00kg	600gm	
Class F55	4.00kg	1.00kg	600gm	
Class F56	4.00kg	1.00kg	600gm	
Class F57	4.00kg	1.00kg	600gm	
Class F58	5.00kg	1.00kg	600gm	

FIELD EVENTS (WOMEN)

IMPLEMENT WEIGHTS

EVENTS FOR THE VISUALLY HANDICAPPED.

	SHOT	DISCUS	JAVELIN
Class B11	4.00kg	1.00kg	600gm
Class B12	4.00kg	1.00kg	600gm
Class B13	4.00kg	1.00kg	600gm

EVENTS FOR ATHLETES WITH CEREBRAL PALSY.

	SHOT	DISCUS	JAVELIN	CLUB
Class 32 - Wheelchair	2.00kg	1.00kg		397gm
Class 33 "	3.00kg	1.00kg	600gm	
Class 34 "	3.00kg	1.00kg	600gm	
Class 35 - Ambulatory	3.00kg	1.00kg	600gm	
Class 36 "	3.00kg	1.00kg	600gm	
Class 37 "	3.00kg	1.00kg	600gm	
Class 38 "	3.00kg	1.00kg	600gm	

EVENTS FOR AMBULATORY (AMPUTEE) ATHLETES.

	SHOT	DISCUS	JAVELIN
Class 42	4.00kg	1.00kg	600gm
Class 43	4.00kg	1.00kg	600gm
Class 44	4.00kg	1.00kg	600gm
Class 45	4.00kg	1.00kg	600gm
Class 46	4.00kg	1.00kg	600gm

EVENTS FOR ATHLETES IN WHEELCHAIRS.

	SHOT	DISCUS	JAVELIN	CLUB
Class F51		1.00kg		397gm
Class F52	2.00kg	1.00kg	600gm	
Class F53	3.00kg	1.00kg	600gm	
Class F54	3.00kg	1.00kg	600gm	
Class F55	3.00kg	1.00kg	600gm	
Class F56	3.00kg	1.00kg	600gm	
Class F57	3.00kg	1.00kg	600gm	
Class F58	4.00kg	1.00kg	600gm	



SAMPLE FORMS

FOR OFFICIAL USE ONLY

National Control # _____
 Association Sanction # _____
 Association Fee \$ _____ Check # _____
 National Fee \$ _____ Check # _____
 Approved _____ Denied _____
 Association Signature _____
 Championship _____ Assoc. _____ Regional _____ National _____



Date Received _____ / _____ / _____
 Database _____ Assoc _____ National _____
 Association Contact Information: _____

USA TRACK & FIELD APPLICATION FOR SANCTION

Please read the instructions on the back before completing this form. Your returned, approved copy of this form is proof of insurance coverage.

Name of event _____ Date(s) of Event _____ Start Time(s) _____
 Site of event _____ City _____ State _____ Zip _____
 Event Organizer _____ USATF Member: Yes No
 Website _____
 Contact Name _____ Contact Telephone Number () _____
 Contact Address _____ Contact Email Address _____
 City, State, Zip _____ Contact Fax Number () _____

1. Type of Event (circle) Road Course Certification # (if applicable) _____
 Indoor Track & Field Race Walking-Track Road Racing-Distance(s) _____
 Outdoor Track & Field Race Walking-Road-Distance(s) _____ Cross Country-Distance(s) _____
2. Age Divisions: Youth Open Masters 3. Sex: Male Female
4. Estimate of number of finishers _____ 5. Fees: Association \$ _____ National \$ _____ (see fee schedule)
6. The safety precautions taken to protect the personal welfare of the athletes and spectators, including provisions for medical supervision, at the competition are (attached additional sheet if necessary):

7. Organizer will file the required *Post-Event Report* within fifteen days of the event (enclosed with the approved sanction) and will submit electronic results to USATF (see www.usatf.org/events/results for instructions).
8. Upon approval of the sanction, the entry form will state that the event is sanctioned by USA Track & Field. The organizer may obtain a copy of USATF's Sanctioned Event insignia for this purpose at www.usatf.org/events/sanctions. Permission to use the USATF name and trademarks for any other purpose must be obtained from the National Office prior to such use.
9. The event shall comply with USATF's *Policy & Procedures for Accommodation Requests Pursuant to the Americans with Disabilities Act* available at www.usatf.org/groups/EventDirectors/ADA.
10. The Organizer will not transfer this sanction, if granted.
- Check if Organizer seeks an ELITE SANCTION (carefully read instructions on back) and attach *Elite Sanction Addendum*.
- Check if Organizer waives USATF Liability Insurance for this event – attach *Waiver of Liability Insurance* and a *certificate of insurance naming USATF as additional insured*.

Indemnification and Statement of Conditions

_____(Organizer) shall indemnify, hold harmless, assume liability for, and defend USA Track & Field, Inc. (USATF), its member Associations, employees, officers, agents and volunteers from any and all damages, awards, costs and expenses including, but not limited to, attorneys' fees, court costs, and all other sums which USATF and its member Associations, employees, officers, and volunteers may pay or become obligated to pay on account of any and every demand, claim or assertion of liability, or any claim or action founded thereon, arising or alleged to have arisen out of the sanction issued by USATF and/or its member Associations, on _____(event date) or by any action or omission of _____(Organizer), its members, agents, employees, volunteers, officers or directors in relation to the sanction.

Organizer represents and warrants that it is fully familiar with all the rules and regulations of USATF and the IAAF applicable to the event to be conducted, including USATF competition rules, Article 20 of the USATF Bylaws and USATF Regulation 14, and that it shall take all necessary precautions to protect event participants, spectators, volunteers and workers from harm of any kind. Organizer further warrants and represents that it has complied with all requirements applicable to USATF sanctioned competitions conducted by it, within the preceding four-year period. Organizer understands that USATF shall be under no obligation to grant a sanction to an organization that has failed in the past to abide by the rules and regulations of USATF, or has defaulted on its obligation to give prizes to athletes, as stated in any contract, entry form or advertising literature. Organizer warrants that the information provided herein is true to the best of its knowledge. Organizer warrants that it has received the proper permission and permits to conduct this event at the facilities which the event will be held.

Signature _____ Date _____

 Event Director or individual responsible for conduct of event

Revised 01/07

SANCTION INSTRUCTIONS

A USATF Sanction is a certification which evidences a competition's intent to comply with the international and national rules and regulations of the sports of track & field, long distance running and race walking. An event may obtain a USATF sanction by filing a completed pre-printed USATF sanction application with the appropriate USATF Association, paying the requisite local and national sanctioning fees and complying with the requirements of obtaining a sanction. USATF will sanction only those events that agree to comply with the applicable IAAF and USATF rules and regulations (www.usatf.org), including USATF Bylaw Article 20 and Operating Regulation 14. Events which fail to meet all criteria will be denied a sanction.

The following information is intended to assist an applicant in completing the Application for Sanction. USATF has available helpful publications that are available from your local Association. After completion of the Application for Sanction, *return this form and any required addenda to your local Association with required fees at least four (4) weeks prior to the date of the event.*

Conditions and Information

- Type of Event:** Sanctions may only be issued for competition (one of the necessary attributes of a competition is that all participants are timed/scored) in track & field, long distance running, and race walking. Events such as stair climbs, walkathons, triathlons, etc. cannot be sanctioned by USATF. Long distance running is limited to foot races and USATF approved racing wheelchairs and does not include other methods of wheeled transportation such as roller blades, bicycles, etc. In compliance with liability insurance requirements, the coverage extends only to the athletics event(s) for which the Sanction is issued. The decision to allow persons with disabilities to compete using crank cycle racing wheelchairs is at the sole discretion of the race organization and/or race director.
- Age Divisions:** Youth – 18 & under; Open – no maximum age restriction; Masters – 35 & over.
- Sex:** Please indicate if the event is open to men, women, or both.
- Number of finishers:** Enter the number of expected finishers for the event.
- Sanction Fees:** *Association* – Each Association has the right to establish its own fee structure. Fees may vary based on the number of entrants, services provided by the Association, or other reasons. *National* – National Fees, which are determined by the estimated number of finishers, are sent by the local Association to the National Organization. The current fees can be found at www.usatf.org/events/sanctions.
Both Association and National fees are to be sent to your local Association. Adjustments in fees will be made when the number of finishers varies from the estimates used in this application. These adjustments, if necessary, are paid when the Post-Event Report Form is filed by the Organizer.
- Safety Precautions and provisions for medical supervision:** USATF requires that all sanctioned events take the appropriate safety precautions and provide for appropriate medical supervision. A summary of safety recommendations is available at www.usatf.org/events/sanctions. Upon request, your local Association can provide additional guidelines to help you ensure a safe and successful event.
- Post event report:** The appropriate form will be enclosed with your approved sanction and must be completed and returned to the local Association within fifteen (15) days of the event.
- USATF name, logo and trademarks:** The entry form must state the event is sanctioned by USA Track & Field. The entry form, promotional publications such as posters or advertisements may also use USATF's Sanctioned Event insignia. The organizer may obtain a copy of the USATF Sanctioned Event insignia for this purpose at www.usatf.org/events/sanctions. Permission to use the USATF name and trademarks for any other purpose must be obtained from the National Office prior to such use.
- Transfer Rights:** The event organizer does not have the right to transfer the sanction to conduct this event to anyone.

Check boxes – please read carefully:

Elite Sanctions: In accordance with USATF Operating Regulation 14, events that anticipate at least one of the following must complete an Elite Sanction Addendum:

- Award cash or prizes with a value of more than \$500 for any *individual* performance or participation (note that total prize money may exceed \$500 as long as any single prize, bonus or appearance fee does not exceed \$500);
- Invite non-resident foreign athletes;
- Serve as a National Championship or trials competition for the selection of USA international teams (other than Youth and Masters);
- Subject to formal drug testing controls.

Questions regarding Elite Sanctions and related requirements should be directed to your local Association or the USATF National Office. Compliance with Elite Sanction requirements are necessary to maintain the eligibility of all athletes under both USATF Bylaws and IAAF Regulations.

Waiver of Insurance: Under certain circumstances, organizers can waive USATF's liability insurance coverage and pay a reduced national sanction fee. RRCA clubs can also waive liability insurance coverage. Complete the *Waiver of Liability Insurance* form and refer to those separate instructions.

Revised 01/07

Date Received _____ / _____ / _____
Assoc. Sanction # _____
National Control # _____
N.O. Signature _____



Association Contact Information:

Association Signature _____

USA TRACK & FIELD – ELITE SANCTION ADDENDUM

Check all applicable reasons your event requires an Elite Sanction (see instructions):

- Awards at least one individual prize greater than \$500
- Invites at least one non-resident foreign athlete
- Serves as a National Championship or selection trial for an international team (specify):
- Subject to formal drug testing procedures

Please read the instructions on the back page. Return the form to your local Association with required fees at least four weeks prior to the date of the event. The Applicant Copy will be returned following approval/denial of your sanction application. **In addition to the completed application, you must enclose an additional sheet listing all funds to be awarded based on performance (prize money & bonuses)** – see instructions. All athletic funds based on performance shall be paid to athletes in accordance with this schedule. Compliance with this payment schedule and the Elite Sanction Addendum are integral conditions upon which the sanction is granted. Notice of any changes must be submitted to USATF and no change will be effective without USATF approval.

By initialing this paragraph, the sanctioned event affirms that it will not pay athletic funds based on performance to any ineligible athlete. All qualified athletes finishing below a disqualified athlete shall be moved up one place and shall receive athletic funds based on performance in accordance with such adjusted place finish. Initialing this paragraph is optional, but compliance with the paragraph once initialed forms part of the conditions upon which the sanction is granted. _____ (Organizer initials)

ADDITIONAL SANCTION CONDITIONS

1. Appropriate measures have been taken to protect the eligibility status of athletes who will take part in the competition and to protect their eligibility to compete in international amateur athletics competition.
2. Appropriate provisions have been made for the validation of records which may be established during the competition.
3. Due regard has been given to IAAF requirements specifically applicable to the competition.
4. The competition will be conducted by qualified officials.
5. Upon request, the organizer will furnish to USATF an audited/notarized financial report of similar events conducted within the past four (4) years.
6. If the event is selected for drug testing, appropriate facilities for doping control will be made available. In addition, all entry blanks or related published materials must contain the following language: "Athletes who participate in this competition may be subject to formal drug testing in accordance with USATF and IAAF rules, in accordance with USOC, USADA, or IAAF procedures. Athletes found, after a disciplinary hearing, to be positive for prohibited substances, as defined by the WADA Code and/or IAAF, or who refuse to be tested, will be disqualified from this event and may lose eligibility for future competitions. Any prize money payable to an athlete who has tested positive shall be withheld until the final disposition of all disciplinary proceedings. BEWARE: Some prescriptions, over the counter medications, and nutritional supplements may contain prohibited substances. Information regarding drugs and drug testing may be obtained by calling the USADA Reference Hotline at 1-800-233-0393, or www.usantidoping.org."
7. The names and addresses of invited non-resident foreign citizens and the conditions of such invitations are attached. All such invitations must be issued by the National Office to the athlete's national federation.
8. Organizer represents and warrants that he/she or it has fully complied with all Elite Sanction application requirements, including payment of prize money, for USATF sanctioned competitions that he/she or it has conducted within the preceding four year period. Applicants must initial this paragraph to acknowledge understanding and compliance with this provision. Provide an explanation if you cannot initial this paragraph. _____ (Organizer initials)
9. By signing below, I agree to the above conditions and affirm my compliance with all requirements.

Signature _____ Date _____
Event Director or individual responsible for the conduct of the event

Revised 01/07

USA TRACK & FIELD - ELITE SANCTION ADDENDUM INSTRUCTIONS

The Elite Sanction Addendum must be completed if your event plans to do any one of the following:

- Award funds or prizes with a value of more than \$500 for any *individual* performance or participation (note: *total* prizes may exceed \$500 without triggering this requirement but any potential single payment greater than \$500 will trigger the Elite Sanction requirements and regulations);
- Competitions which anticipate including five (5) or more athletes who are foreign citizen (excluding national team comp.);
- Serves as National Championship and/or trials competition for the selection of USA international teams (other than Youth or Masters); and
- Competitions which may be subject to formal doping controls.

The conditions of the Elite Addendum are additional conditions of the sanction that are required due to the nature of these events. Most of them are required by the Ted Stevens Amateur Sports Act of 1998 or by regulations of the International Amateur Athletic Federation (IAAF). The IAAF is particularly concerned with the payments to athletes and extending invitations to non-resident foreign athletes. Your attention and compliance with these procedures are necessary to protect the interests of the athletes. If you have any questions about your responsibilities under the Amateur Sports Act or IAAF rules, please contact the USATF National Office at 317-261-0500 attention: Legal Department.

Note that a schedule of fund payments must be included with this form. This schedule should include all amounts you plan to offer based on place and/or time. A sample schedule would be as follows:

SCHEDULE OF FUNDS: <event name>

Division: Men's Open	
1 st	\$1000
2 nd	\$500
Course Record:	\$500

Division: Women's Open	
1 st	\$1000
2 nd	\$500
Course Record:	\$500

ADDITIONAL SANCTION CONDITIONS

- Protecting the eligibility of athletes:** The IAAF has a number of rules regarding athlete eligibility. It is the responsibility of event organizers to understand all relevant regulations. Failure to understand or comply with these regulations can harm the eligibility of participating athletes. (See IAAF Rule 17, USATF Regulation 14 and USATF Competition Rule 146.)
- Records provision:** Many organizers want to ensure that performances at their event may be recognized for record or ranking purposes. The requirements vary depending on the event and the type of performance recognition. Contact your local Association or the Road Race Information Center for more details.
- IAAF requirements:** Sanctioned events which invite international athletes may be subject to additional IAAF competition and other rules and should consult the IAAF rulebook to ensure compliance.
- Qualified Officials:** USATF certified officials are considered qualified officials. In general, officials certified by a state officials group are also qualified. Other officials may be considered qualified provided they have had experience in the conduct of events similar to the one being sanctioned. This does not mean that all volunteers must be similarly qualified. Rather, it means that the event must be supervised by qualified officials.
- Financial Statements:** The Ted Stevens Olympic and Amateur Sports Act of 1998 require this provision.
- Drug Testing:** USATF sanctioned events are subject to a drug testing program and your event may be randomly selected for testing. If selected, you will be notified of your selection prior to the event and you will be instructed by USATF regarding all material aspects of the drug testing protocol. This includes furnishing of a facility in which to take samples, providing drinking fluids, and assembling volunteers to assist the drug testing crew assigned by USATF.
- Foreign Athletes:** Please provide the names and addresses (if known) of the foreign athletes invited. Sample conditions of invitations may include all expenses, airfare only, hotel only, prize money and/or appearance fees. USATF National Office will issue "invitations" to the foreign governing body on behalf of the organizers. Many governing bodies require such notice in order to maintain an athlete's eligibility. Further, this process allows USATF and organizers to identify ineligible athletes.
- Attestation:** No future sanction shall be given to any organization which has failed to fulfill its obligation to athletes or to give prizes as stated on its entry forms. **Organizers must initial this section.** _____ (Organizer initials)

Revised 01/07

Date Received _____ / _____ / _____
Assoc. Sanction # _____
National Control # _____
N.O. Signature _____



Association Contact Information:

WAIVER OF LIABILITY INSURANCE - USA TRACK & FIELD SANCTION

In general, event organizers are added to USATF's Commercial General Liability insurance policy for the conduct of the sanctioned event. Events which already have sufficient liability insurance through another source may elect to waive the USATF liability insurance and receive a reduction in the National Sanction Fee. The organizer must submit a signed copy of this form and a valid Certificate of Insurance (see below) for each sanctioned event for which insurance is waived. Please return this form to your local Association along with all completed sanction forms at least four (4) weeks prior to the date of the event. If the organizer wishes to obtain a sanction for more than one event, it must submit separate paperwork (sanction forms and this waiver form) for each event.

In addition to this insurance waiver form, the organizer must submit a valid Certificate of Insurance naming USA Track & Field as an additional insured. If the organizer wishes to obtain a sanction for more than one event during a calendar year, it may submit a single Certificate of Insurance naming USA Track & Field as an additional insured for all of the organizer's USATF sanctioned events during the year or it may submit separate Certificates of Insurance. In either case, Certificates must be specific as to event name, place and date. The organizer must also complete a separate waiver form for each event. The event is not sanctioned until both a valid Certificate of Insurance and insurance waiver form have been submitted and approved.

Insurance limits on these Certificates must be minimally the same as USATF's insurance and must specifically state that there is coverage for claims arising from participants in athletic events. See sanction instructions for further information.

Fees: The National Sanction Fee for events that waive the insurance shall be 10% of the listed National Sanction Fee or \$10, whichever is greater. Alternately, RRCA member clubs or USATF member organizations may choose to pay a single National Sanction fee of \$50 per calendar year for all their sanctioned events which waive USATF insurance. Note that the required paperwork (sanction forms and this waiver form) must still be filed for each event. The \$50 is due with the first sanction form submitted by that organizer for the year. On subsequent sanction forms that year, the organizer shall write "ANNUAL" in the line on the sanction form where the National Fee is entered. The Association Sanction fee shall be determined by each Association. This fee shall be reasonable and reflect the goal of keeping fees for events that waive their insurance to a minimum.

INSURANCE WAIVER AND INDEMNIFICATION

(organizer), has chosen to waive the Commercial General Liability Insurance provided by USA Track & Field (USATF) in conjunction with the _____ (event), a USATF sanctioned event which will take place on _____ (date). We agree to carry General Liability Insurance coverage which names USATF as an additional insured and provide a Certificate of Insurance evidencing such coverage.

(organizer) shall indemnify, hold harmless, assume liability for, and defend USATF, its member Associations, employees, officers, agents and volunteers from any and all damages, awards, costs and expenses including, but not limited to, attorneys' fees, court costs, and all other sums which USATF and its member Associations, employees, officers, and volunteers may pay or become obligated to pay on account of any and every demand, claim or assertion of liability, or any claim or action founded thereon, arising or alleged to have arisen out of the sanction issued by USATF and/or its member Associations, on _____ (date) or by any action or omission by _____ (organizer), its members, agents, employees, volunteers, officers or directors in relation to the sanctioned event.

I further certify that I am authorized to sign this waiver on behalf of _____ (organizer).

Signature _____ Address _____

Printed _____ City, St, Zip _____

Title _____ Phone _____

Date _____ Email _____

Revised 01/07

Date Received _____ / _____ / _____
Assoc. Sanction # _____
National Control # _____
N.O. Signature _____



Association Contact Information:

(This section must be completed by the Association before a refund is issued)

USA TRACK & FIELD SANCTION POST-EVENT REPORT FORM

All USATF Sanction Holders are required to submit this form to their local Association within fifteen (15) days after the event. If the sanction is for a series of events, the form must be submitted within fifteen (15) days of the final event of the series. Events that fail to submit this report will be ineligible for a refund of overpaid sanction fees and are subject to denial of future sanction requests. Holders of an Elite Sanction must also submit required paperwork to the USATF National Office. (See Sanction Form and instructions regarding Elite Sanctions).

If a record is set at your race on a certified road course you should obtain an "Application for Recognition of a Road Race Performance" from www.usatf.org. You should also electronically send your results to USATF for inclusion in the new USATF State Rankings. Results submission information is available at www.usatf.org/groups/EventDirectors/

Name of event _____ Date(s) of Event _____

Site of event _____ City, State _____

Organizer of Event _____

- Check if appropriate:
- We adhered to USATF rules regarding safety precautions, medical supervision, athlete eligibility, officials, USATF name & logo use and course certification (as applicable).
 - All prizes and awards described in the entry information were awarded as promised.
 - Prize money is being held for athletes who were drug tested.
 - Please send me a First Report of Incident form.
 - Results have been submitted to USATF. Visit www.usatf.org/groups/eventDirectors/ for instructions on how to submit electronic results. Results from events run on USATF certified courses will be included in the USATF State Rankings.

Pre-event estimate number of finishers: _____ Actual Number: _____

Sanction Fees Paid Prior to the event: Association \$ _____ Should have been \$ _____
National \$ _____ Should have been \$ _____

- Check the appropriate box:
- Please refund me \$ _____
 - Enclosed is additional payment of \$ _____
 - Pre-event estimates were accurate and no further exchange of payment is necessary

Note: Refunds of overpaid sanction fees will not be paid without a copy of the results. Enclose a copy of the results or indicate a website where the results can be found. www _____

Please make check payable to:

Name _____ Telephone Number () _____

Address _____ City, State, Zip _____

Email _____ Fax Number () _____

Signature _____ Date _____

For Association Office Use Only

- Send national fee reimbursement directly to the event.
- Send reimbursement for the national fee to our office as we have already reimbursed the event.

Revised 01/07

Make copies of this form as needed

Date Received _____ / _____ / _____
Assoc. Sanction # _____
National Control # _____
N.O. Signature _____



Association Contact Information:

USA TRACK & FIELD SANCTIONED EVENT REQUEST FOR CERTIFICATE OF LIABILITY INSURANCE

An organizer who requires one or more certificate(s) of insurance for its sanctioned event(s) should complete this form. Please note that unless insurance is waived, organizers granted sanctions are automatically added to the USATF liability insurance policy for most activity surrounding the sanctioned event. See sanction instructions and insurance brochure for further information. The approved copy of the sanction form serves as your proof of insurance. In addition, USATF may allow facilities or sponsors to be named as additional insured parties for sanctioned events. For more information on the USATF Sanction/Insurance policies, please contact your local Association.

Complete a separate copy of this form for each party for whom you are requesting a certificate. A fee will be charged for rushed certificates (see late fee schedule). Return this request to the address listed below.

LATE FEE SCHEDULE

Less than 5 business days \$10 each

Less than 36 hours \$25 each

> Late fees are based on the date received by the National Office of USATF and the "Date Certificate is Needed" date.

RETURN THIS FORM TO:

EVENT INFORMATION (Type or Print legibly!! If it is not legible, the application will be returned to you.)

Name of Event _____ Date(s) of Event _____

Organizer of Event _____

Event Contact Person _____ Phone _____

Address _____ Fax _____

_____ Email _____

THIRD PARTY INFORMATION

Party Requiring Certificate _____

Name Will Appear EXACTLY As Listed Here

Third Party Contact Person _____ Phone _____

Third Party Address _____ Fax _____

_____ Email _____

Date Certificate is Needed _____ (Note: It may take up to 30 days after submission of this form - please plan accordingly.)
DO NOT PUT "ASAP"

OTHER INSURANCE INFORMATION - PLEASE COMPLETE EACH QUESTION

Interest of Third Party: Facility _____ Sponsor _____ Governmental Entity _____ Municipality _____

Is the third party in the business of providing or selling alcohol, food or beverage? Yes _____ No _____

If yes, will they be providing same at the event? Yes _____ No _____ (If "Yes" the third party must name USATF as an additional insured to their policy. A certificate naming USATF as an additional insured must be issued before USATF will issue a certificate to this third party.)

Method of Certificate Delivery Event Organizer by Email Fax
(Select up to 2 options for cert. delivery) Third Party (listed above) by Email Fax

Revised 01/07

This form shall be used for American and World records. See instructions on reverse.
It may be used for collegiate or other jurisdictional performances.

APPLICATION FOR RECORD



- International Association of Athletic Federations** (*World Records*)
- USA Track & Field** (*American Records, World Record Approval*)
Address: One RCA Dome, Suite 140; Indianapolis, IN 46225-1023
- NCAA** **NAIA** **NJCAA** **Other** _____

To THE RECORD COMMITTEE:

Application is hereby made for a record, in support of which, the following information is submitted:

1. **Description of Record:** World American Association Championship Collegiate
 Junior* Age Group* _____ Masters* _____

*Application must be accompanied by copy of birth certificate or other proof of age.

Event _____ Men / Women Indoor / Outdoor

Competition Name _____ Date _____ Time of Day _____

Location: Arena _____

Town _____ State _____ Country **USA**

Record Claimed (time, distance, height or points achieved): _____

Printed Full Name of Competitor, Club and Country: (Print first name first. List relay members in their running order.)

2. **Starter's Certificate:** I certify I was the Starter and that the start of this race was in accordance with IAAF or applicable Rules.

Printed Name _____ Signature _____ USATF Cert # _____

3. **Automatic Timing Certificate:** A fully automatic timing device was used; manufactured by: _____

As Chief Photo Finish Judge, I certify the time recorded was _____, and this was the official time.

Printed Name _____ Signature _____ USATF Cert # _____

4. **Hand Timing Certificate:** I, the undersigned official timekeeper for this event, do certify that the time set opposite my signature was the exact time recorded by my watch, and that the watch used by me has been certified and approved by my National Association.

Time _____ Printed Name _____ Signature _____ USATF Cert # _____

Time _____ Printed Name _____ Signature _____ USATF Cert # _____

Time _____ Printed Name _____ Signature _____ USATF Cert # _____

I, as Chief Timekeeper or Referee, confirm the above Timekeepers exhibited their watches to me and that the times were as stated.

Printed Name _____ Signature _____ USATF Cert # _____

5. **Wind Gauge Certificate:** I, as the Wind Gauge Operator, certify the force of the following wind as: _____ m/s
 Printed Name _____ Signature _____ USATF Cert # _____
6. **Field Judge Certificate:** We certify that the measurement stated opposite our respective signatures is exact as measured in accordance with IAAF or appropriate Rules. We also certify that the circle, sector and/or runway is in compliance with IAAF or appropriate specifications.
 Mark _____ m Printed Name _____ Signature _____ USATF Cert # _____
 Mark _____ m Printed Name _____ Signature _____ USATF Cert # _____
 Mark _____ m Printed Name _____ Signature _____ USATF Cert # _____
7. **Implement Certification:** I certify that I weighed and measured the implement used for the claimed record in accordance with IAAF or appropriate Rules and that the implement conforms exactly with relevant IAAF or appropriate Rule. For World Records, I further certify the implement as follows:
 Manufactured by _____ Model _____ IAAF Certification # _____
 Printed Name _____ Signature _____ USATF Cert # _____
8. **Surveyor:** I certify that the facilities used were in conformity with IAAF or appropriate Rules. The maximum allowance for inclination did not exceed 1:100 laterally and 1:1000 in the running direction. For running events, I have measured the course over which this event was held and the exact distance was:
 _____ meters _____ centimeters; or _____ miles _____ yards _____ feet _____ inches.
 For track events the length of one lap is as indicated below,
 _____ meters _____ centimeters; or _____ miles _____ yards _____ feet _____ inches.
 And (check one):
 There was a 5 cm raised border on the inner edge of the track with cones used to replace the border as required.
 There was no raised border and cones were used as required. The one lap measurement was made 20 cm from the inside of lane 1.
 Printed Name _____ Signature _____ Qualification _____
9. **Doping Control Certification:** (Required for World Records only) As a member of the Doping Committee for the event, I certify that a sample for a doping test was obtained in accordance with IAAF or appropriate Rules from the named athlete(s) in my presence and dispatched to the following laboratory:
 Doping control date/time _____ Laboratory _____
 Printed Name _____ Signature _____ Qualification _____
10. **Guarantee by Referee:** I certify that all information recorded on this form is accurate, that the Officials conducting the event were duly qualified and that all IAAF or appropriate Rules of Competition were complied with.
 Printed Name _____ Date _____
 Signature _____ USATF Cert # _____

Instructions:

World Records

For running events, use sections 1, 2, 3 or 4, 8, 9, 10. Add section 5 for outdoor events less than 300 m.
 For field events, use sections 1, 6, 7, 8, 9, 10. Add section 5 for outdoor Long Jump or Triple Jump.

American Records

Same as for World Records, except exclusion of section 9. No application is required from competitions conducted by USATF.

The following must be enclosed with this application for World and American Records:

- The printed program for the competition.
- The complete results for the event as well as a copy of the Results Card and the official results.
- A printed Photo Finish photograph in the case of a track record using fully automatic timing (exempted for some competitions).

Revised January 2007

CONVERSION TABLE

METERS	FEET & DECIMALS	FEET & INCHES
50	164.05	16417/32"
60	196.85	19610.....7/32
100	328.09	3281.....1/32
200	656.17	6562.....1/32
300	984.26	9843.....1/32
400	1,312.34	1,3124.....1/16
500	1,640.42	1,6405.....1/16
600	1,968.51	1,9686.....1/16
800	2,624.68	2,6248.....3/32
1,000	3,280.84	3,28010.....3/32
1,500	4,921.26	4,9213.....1/8
2,000	5,561.68	5,5618.....3/16
3,000	9,842.52	9,8426.....1/4
4,000	13,123.36	13,1234.....11/32
5,000	16,404.2	16,4042.....13/32
6,000	19,685.04	19,6851/2
7,000	22,965.88	22,96510.....9/16
8,000	26,246.72	26,2468.....21/32
9,000	29,527.56	29,5276.....23/32
10,000 (10Km.)	32,808.40	32,8084.....13/16

KILOMETERS

15	49,212.60	49,2127.....3/16
20	65,616.80	65,6169.....19/32
25	82,021.00	82,02011.....31/32
30	98,425.20	98,4252.....3/8
35	114,829.40	114,8294.....26/32
40	131,233.60	131,2337.....5/32
50	164,042.00	164,04111.....15/16
60	196,850.40	196,8504.....3/4
70	229,658.80	229,6589.....17/32
80	262,467.20	262,4672.....5/16
90	295,275.60	295,2757.....3/32
100	328,084.00	328,08311.....7/8

NOTES

NOTES

NOTES

NOTES